

Torsion-Trip V Plow 9500 Series



Contact us 800-433-5620
today: hiniker@hiniker.com

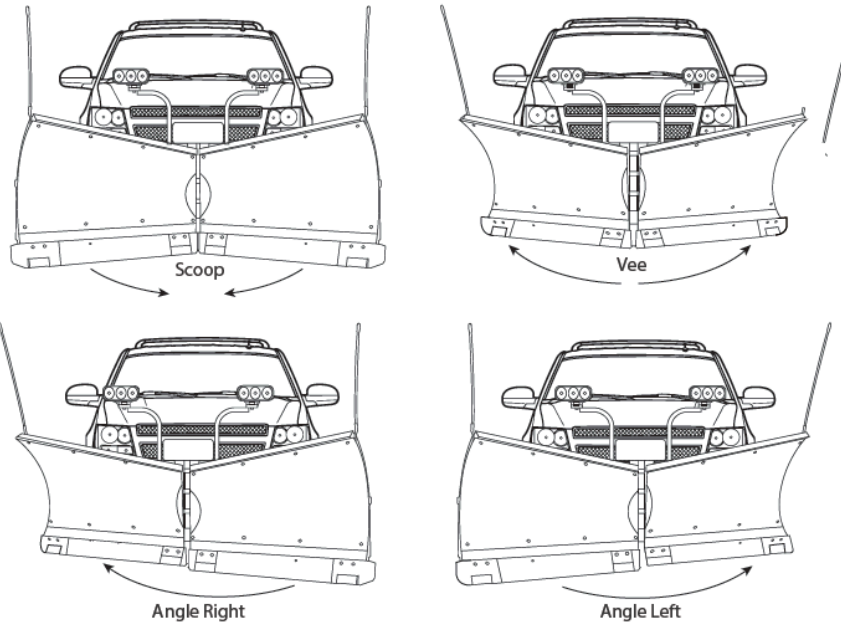


Features and Benefits:

- Optional LED or Halogen headlights.
- Moldboards flare out from 30" high at center to 37" (8 1/2' plow) or 38" (9 1/2' plow). The high curve corrosion-proof and dent-resistant HDPE plow surface reduces friction for better snow flow resulting in more efficient plowing.
- Top-quality design, construction, and components in a contractor-duty plow.
- Simple, reliable torsion-trip edge provides independent protection to each plow wing.



The Hiniker 9500 Series Torsion-Trip V-Plows offer the versatility that only a V-Plow can, along with the strength and operator convenience that you've come to expect from Hiniker. Deep-curl flared wings cast deep snow farther and higher, while providing more scoop capacity than ever.



Optional Accessories:

- Skid Shoes
- Snow Deflectors

Specifications

MODEL	9585	9595
Blade Width	8 1/2'	9 1/2'
Cutting Widths	V-Position	93"
	Scoop	84"
	Straight	102"
	30° angle	88"
Blade Height	30-37"	30-38"
Torsion-Trip Springs	6	6
Weight (plow only)	797 lbs	830 lbs