

VEHICLE INSTALLATION INSTRUCTIONS FOR:
CHEV/GMC 2003 - 2010
4500/5500 4x4

Hiniker Company
58766 240th St.
P.O. Box 3407
Mankato, MN 56002

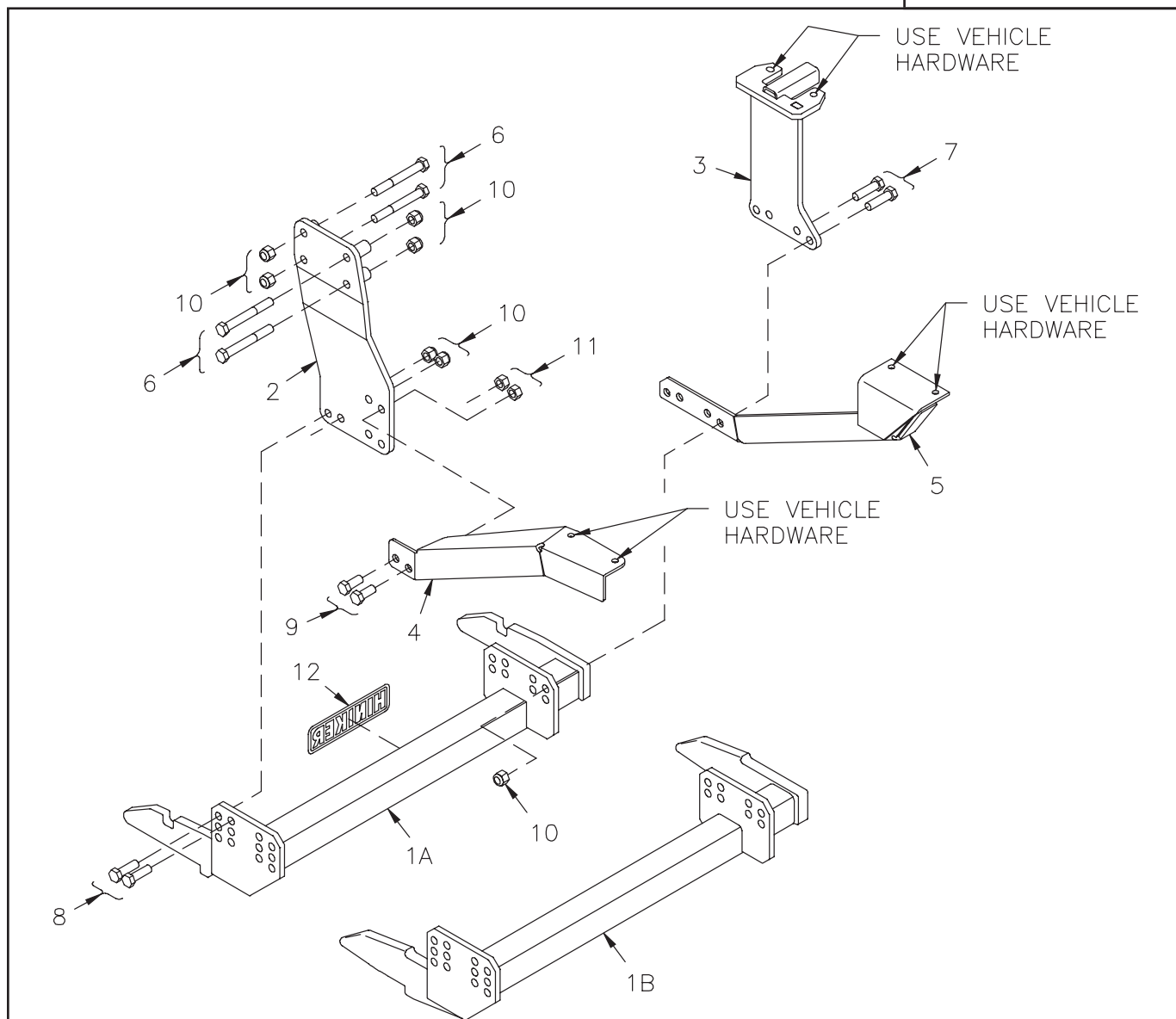
INSTRUCTION SHEET NO: 25013181

April 5, 2012



IMPORTANT: Read the Snowplow Operator's Manual before assembling this kit.

REAR BALLAST - As required to meet front GAWR.



Mount Kit 25012023
QH2 Mount Kit 25012873

DWG. NO. 5861A

REF. NO.	PART NUMBER	DESCRIPTION	QTY.	REF. NO.	PART NUMBER	DESCRIPTION	QTY.
1A	25012132	Prong Weldment	1	7	950-001-185	Hex Head Cap Screw 5/8-11 x 2 1/4 Gr. 5	4
1B	25012932	Prong Weldment - QH2	1	8	950-001-023	Hex Head Cap Screw 5/8-11 x 2 Gr. 5	4
2	25012133	LH Side Plate Weldment	1	9	950-001-323	Hex Head Cap Screw 5/8-11 x 1 1/2 Gr. 5	2
3	25012134	RH Side Plate Weldment	1	10	060756	Lock Nut 5/8-11 Nylon Insert	12
4	25012135	LH Rear Brace	1	11	951-005-044	Lock Nut 5/8-11, 2-Way	2
5	25012136	RH Rear Brace Weldment	1	12	25010008	Hiniker Decal	1
6	061976	Hex Head Cap Screw 5/8-11 x 5 Gr. 8	4		25012138	Bolt Bag	1

All hardware should be tightened only enough to ensure safety during assembly. Fully tighten all hardware after entire assembly is completed.

GRADE 5 TYPE B & F LOCK NUT TORQUE VALUES

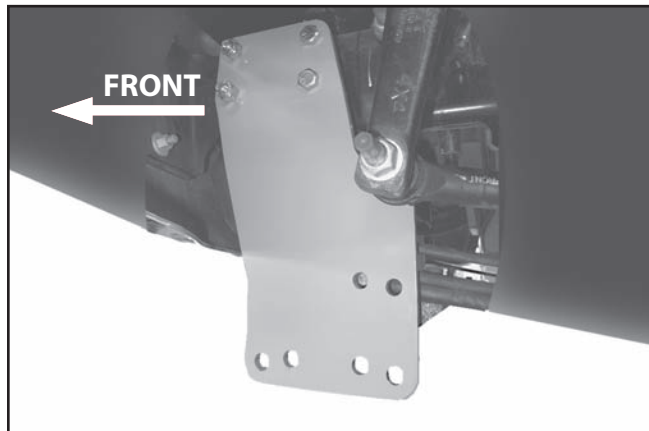
Size	Ft-lbs.	N-m
5/16"	13-18	17-25
3/8"	23-33	31-44
1/2"	58-82	79-112
5/8"	117-165	158-223

GRADE 5 BOLT TORQUE VALUES*

Size	Ft-lbs.	N-m
1/4"	8-12	11-16
3/8"	29-41	39-56
1/2"	73-103	99-140
5/8"	146-206	198-279
* applications without lock nuts		

1. Remove four bolts from above the spring shackle on the driver side of the vehicle. Fasteners will be replaced by hardware supplied in the kit.

Assemble the LH side plate weldment to the outside of the vehicle frame rail by inserting four 5/8 inch x 5 inch grade 8 hex bolts through the side plate, bumper bracket, vehicle frame and tow hook, then securing the bolts with 5/8 inch nylon insert lock nuts,

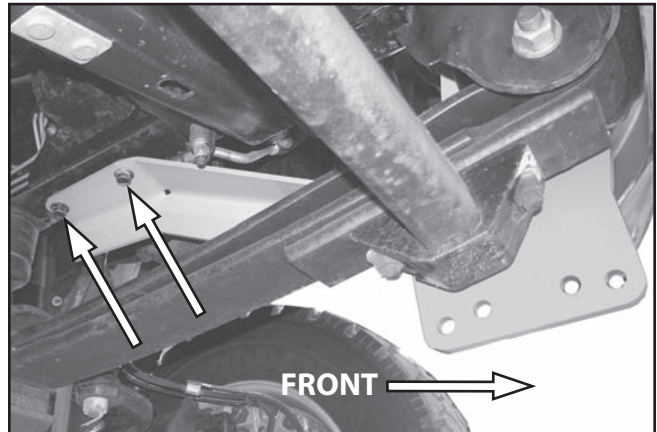


Driver Side Of Truck PHOTO NO. DCP0336

Note the direction of installation of the bolts in the photo to ease assembly.

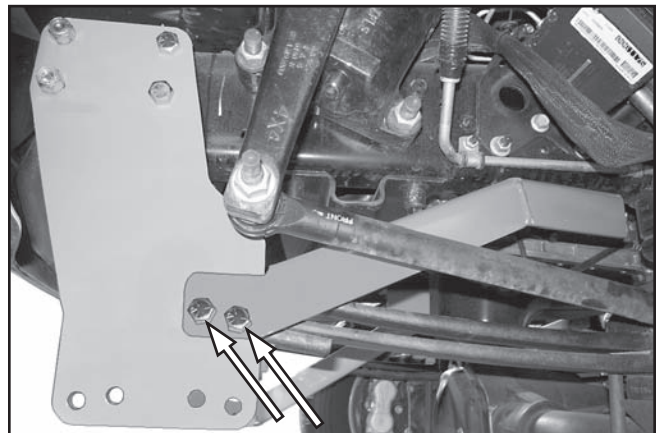
2. Remove the two bolts shown in the following photo from the bottom of the driver side frame rail and save for reinstallation.

Lift the LH rear brace to the vehicle frame, so that rear holes in the brace match holes in the vehicle frame and the front of the brace is outside the LH side plate weldment.



Driver Side Of Truck PHOTO NO. DCP0351

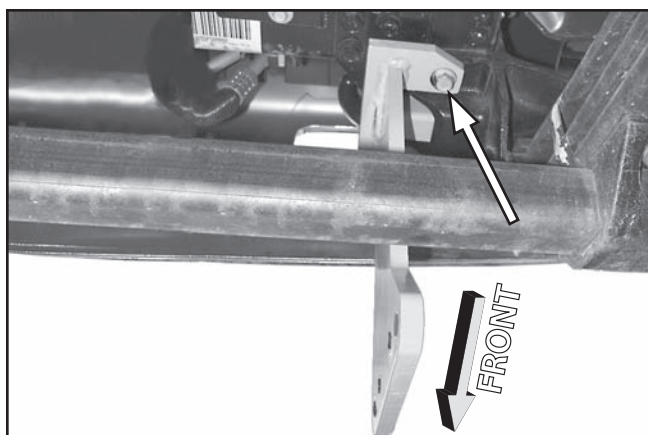
Reinstall bolts through the brace and into the vehicle frame to secure the brace.



Driver Side Of Truck PHOTO NO. DCP0353

Bolt the front of the LH brace outside of the LH side plate by inserting two 5/8 inch x 1 1/2 inch hex bolts from the outside of the brace and securing the assembly with two 5/8 inch 2-way lock nuts.

3. On the passenger side of the vehicle, remove the two lower tow hook bolts and two bolts fastening the spring shackle casting to the bottom of the vehicle frame rail. Save the hardware for reinstallation.



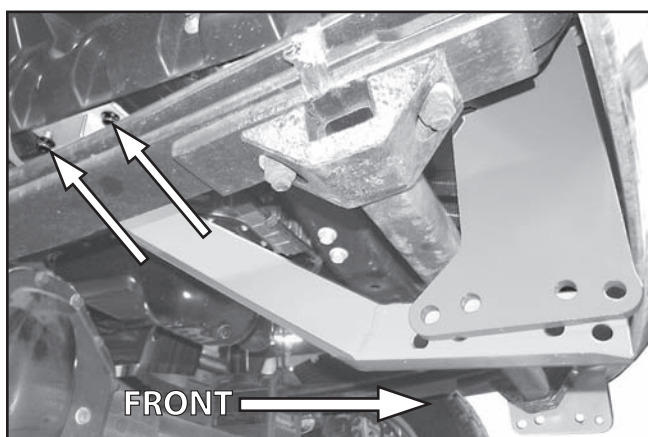
Passenger Side Of Truck

PHOTO NO. DCP0342

Lift the RH side plate weldment to the bottom of the vehicle frame rail and slide the square tube member into the rectangular hole in the casting, then reinstall the four fasteners removed previously.

- Remove the two bolts shown in the following photo from the bottom of the passenger side frame rail and save for reinstallation.

Lift the RH rear brace to the vehicle so that rear holes in the brace match holes in the vehicle frame and the front of the brace is inside the RH side plate.



Passenger Side Of Truck

PHOTO NO. DCP0346

Reinstall bolts through the rear of the brace and into the vehicle frame to secure the brace.

- Raise the prong weldment to the mount members installed on the vehicle so that the LH prong plate will bolt outside of the LH side plate and the RH prong plate will bolt inside of the RH rear brace.

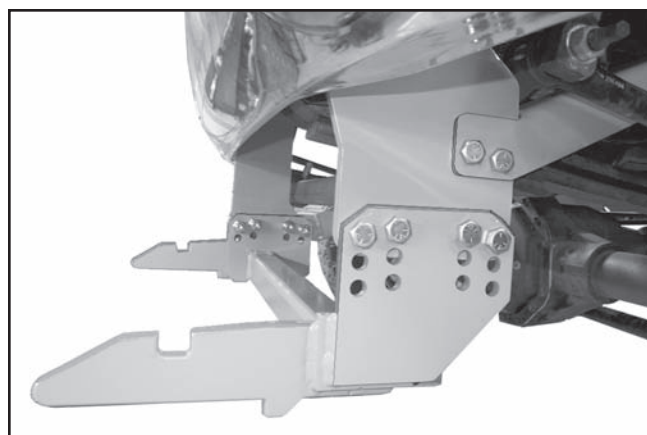


PHOTO NO. DCP0356

Fasten the LH prong plate to the LH side plate with four 5/8 inch x 2 inch hex bolts and lock nuts.

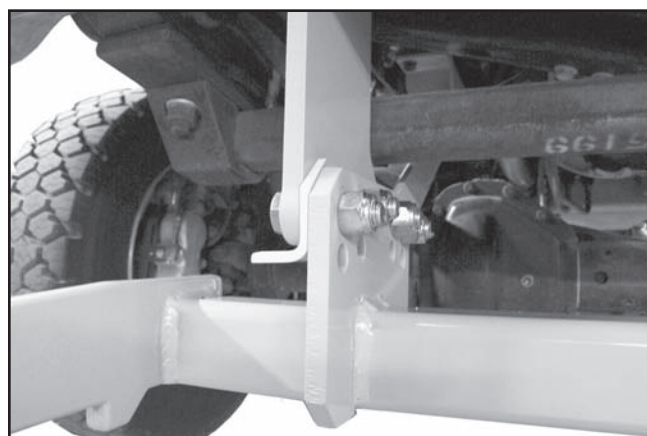


PHOTO NO. DCP0370

Fasten the RH prong plate to the RH side plate and rear brace with four 5/8 inch x 2 1/4 inch hex bolts and lock nuts.

- Finish installation of the mount by fully tightening the hardware. Tighten bolts into the vehicle frame first to draw components tight to the frame, then tighten the bolts fastening the prong plates.

Bottom edges of the prongs should measure about 10 inches above the ground when completed.