

# SECTION 9

# POLY TRIP EDGE

# SNOW PLOW

**MODELS: 7802, 7902**

## **PLOW COMPONENTS**

- PAGE 2** MOLDBOARD ASSEMBLIES
- PAGE 3** POWER UNIT COVER ASSEMBLY
- PAGE 4** PUSH FRAME ASSEMBLY
- PAGE 5** LIFT FRAME ASSEMBLY
- PAGE 6** WEAR PLATE KIT  
CURB GUARD KITS
- PAGE 7** WING KIT  
POLY SNOW PLOW DEFLECTOR KITS
- PAGE 8** RUBBER CUTTING EDGES  
1/2" THICK CUTTING EDGES

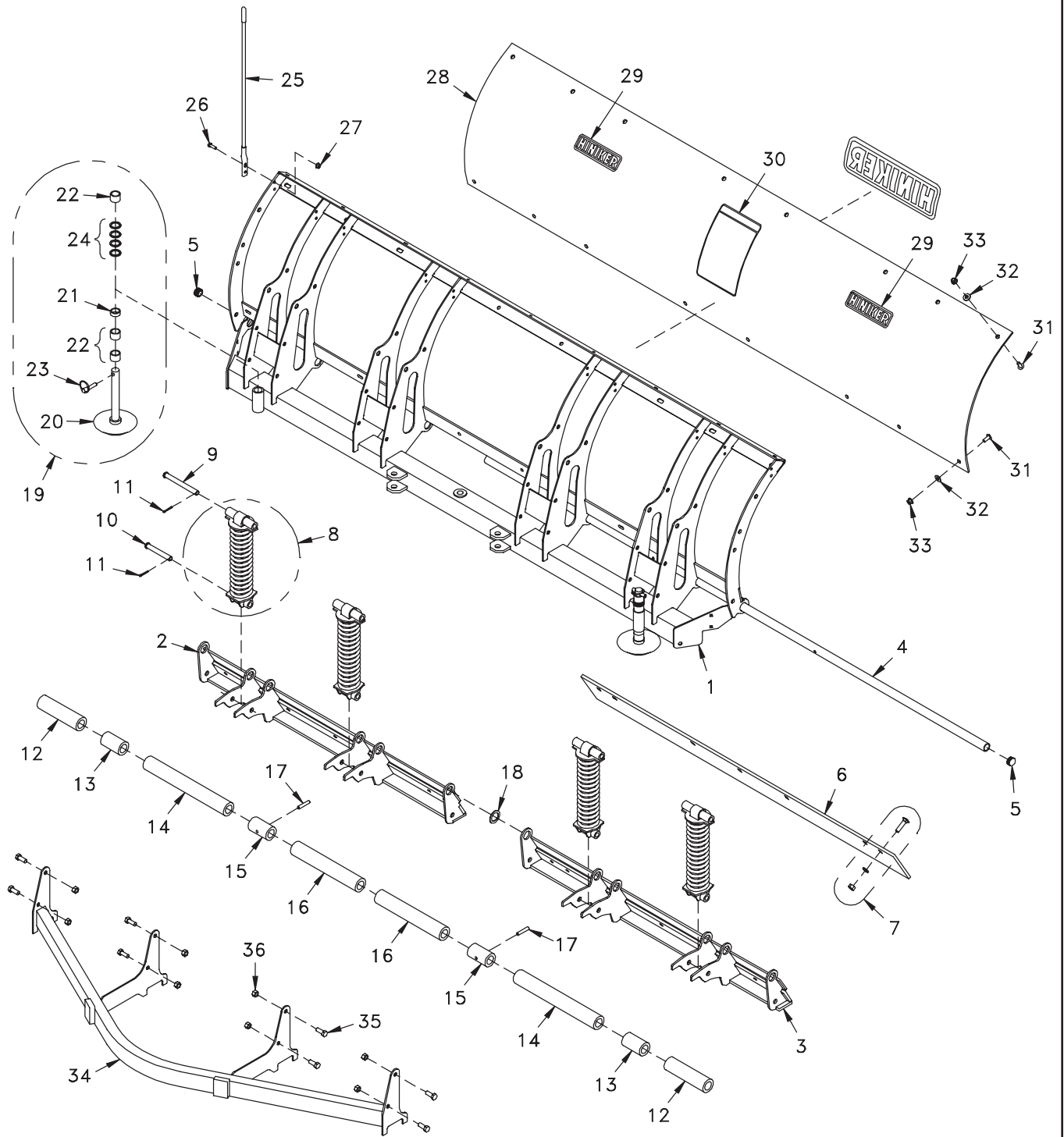
## **HYDRAULIC COMPONENTS**

- PAGE 9** HYDRAULIC OVERVIEW  
HYDRAULIC CYLINDERS
- PAGE 10** POWER UNIT - SPX MODEL DB-7929-2

## **ELECTRICAL COMPONENTS**

- PAGE 11** UNDERHOOD WIRING HARNESS  
PLOW WIRING HARNESS
- PAGE 12** UNDERHOOD WIRING REMOUNT KIT W/CPC  
JOYSTICK CONTROLLER
- PAGE 13** MOTOR SOLENOID  
POWER CABLES AND DUST CAPS
- PAGE 14** COMPOSITE HEADLAMPS

MOLDBOARD ASSEMBLY



SECTION  
9

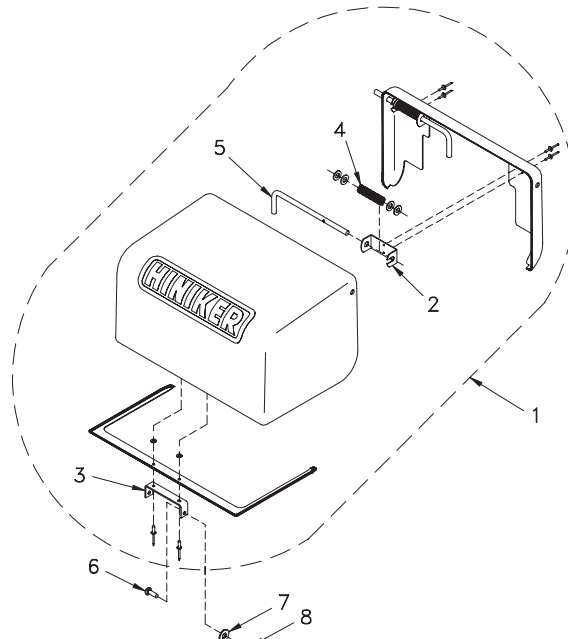
25012982 8' Moldboard Assembly  
25012984 9' Moldboard Assembly

DWG. NO. 5664C

POLY TRIP EDGE PLOW 7802-7902

| REF. NO. | PART NUMBER | DESCRIPTION   | QTY. | REF. NO. | PART NUMBER | DESCRIPTION                                 | QTY. |
|----------|-------------|---|------|----------|-------------|---|------|
| 1        | 25011810    | 8 Ft. Frame Weldment (Models 7802/7801 Only)        | 1    | 17       | 30009024    | Slotted Spring Pin 3/8 x 2                  | 2    |
|          | 25011811    | 9 Ft. Frame Weldment (Models 7902/7901 Only)        | 1    | 18       | 952-004-058 | Machine Bushing 1 9/32 x 1 7/8 x .075       | 1    |
| 2        | 25011597    | 8 Ft. LH Trip Edge Weldment (Models 7802/7801 Only) | 1    | 19       | 25011487    | Cast Iron Skid Assembly                     | 2    |
|          | 25011596    | 9 Ft. LH Trip Edge Weldment (Models 7902/7901 Only) | 1    | 20       | 25011478    | Cast Iron Skid Shoe                         | 2    |
| 3        | 25011598    | 8 Ft. RH Trip Edge Weldment (Models 7802/7801 Only) | 1    | 21       | 25010048    | 1/2" Skid Spacer                            | 2    |
|          | 25011595    | 9 Ft. RH Trip Edge Weldment (Models 7902/7901 Only) | 1    | 22       | 25010049    | 1" Skid Spacer                              | 6    |
| 4        | 25012625    | Trip Pin 8 Ft                                       | 1    | 23       | 25010319    | Klik Pin                                    | 2    |
|          | 25012629    | Trip Pin 9 Ft                                       | 1    | 24       | 952-004-071 | Machine Bushing 1 5/32 x 1 1/2 x .134       | 8    |
| 5        | 25012375    | End Cap   | 2    | 25       | 25010118    | Red Blade Guide                             | 2    |
| 6        | 25011326    | 48" Cutting Edge For 8' Plow                        | 2    | 26       | 950-001-113 | Hex Head Cap Screw 5/16-18 x 3/4 Gr. 5      | 4    |
|          | 25011328    | 54" Cutting Edge For 9' Plow                        | 2    | 27       | 951-005-036 | Lock Nut 5/16-18 Mac Lock                   | 4    |
| 7        | 25011578    | Cutting Edge Bolt Kit                               | 1    | 28       | 25012193    | Moldboard Blank/Logo Decal Assy-8 Ft. Plow  | 1    |
| 8        | 25011373    | Spring Assembly                                     | 4    |          | 25012194    | Moldboard Blank/Logo Decal Assy-9 Ft. Plow  | 1    |
| 9        | 953-002-045 | Clevis Pin 5/8 x 6                                  | 4    | 29       | 25011684    | Hiniker Decal                               | 2    |
| 10       | 953-002-044 | Clevis Pin 5/8 x 4 3/8                              | 4    | 30       | 25013502    | Snowplow Removal Decal                      | 1    |
| 11       | 035-42033   | Cotter Pin 5/32 x 1 1/4                             | 8    | 31       | 700-11704   | Machine Screw 3/8-16 x 1 Slotted Truss Head | 16   |
| 12       | 25011641    | Bushing 7 7/16" Long Poly-8 Ft Poly                 | 2    | 32       | 952-002-013 | Flat Washer 3/8 Inch Stainless Steel        | 16   |
|          | 25011642    | Bushing 13 7/16" Long Poly-9 Ft Poly                | 2    | 33       | 951-005-003 | Lock Nut 3/8-16 Mac Lock                    | 16   |
| 13       | 25011338    | Bushing 3 3/8" Long Poly                            | 2    | 34       | 25011613    | Quadrant Weldment                           | 1    |
| 14       | 25011643    | Bushing 15 7/16" Long Poly                          | 2    | 35       | 950-001-111 | Hex Head Cap Screw 1/2-13 x 1 1/4 Gr. 5     | 8    |
| 15       | 25011341    | Bushing 3 3/8" Long Steel                           | 2    | 36       | 10304       | Lock Nut 1/2-13 2-Way                       | 8    |
| 16       | 25011644    | Bushing 12 13/32" Long Poly                         | 2    |          |             |   |      |

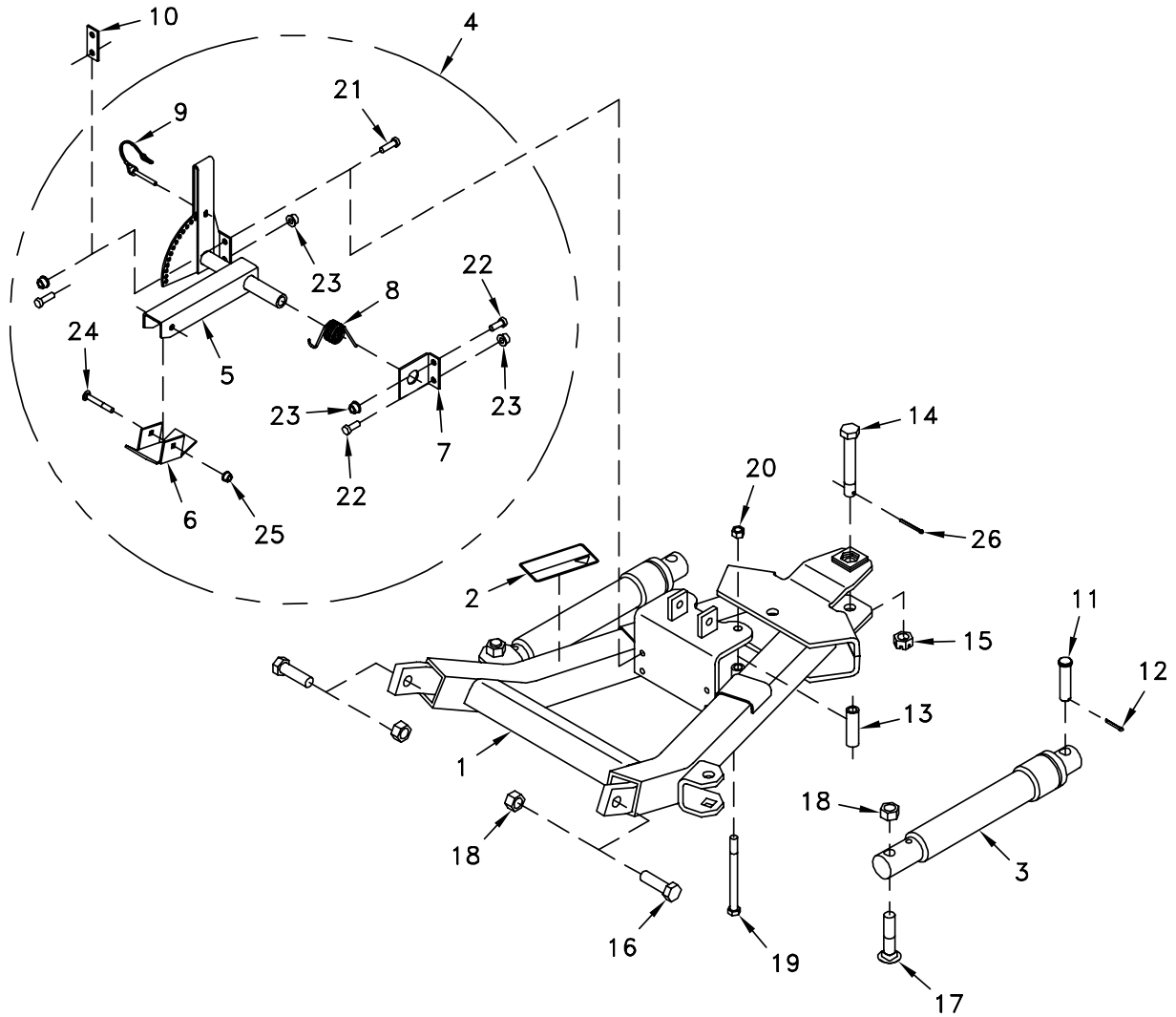
POWER UNIT COVER ASSEMBLY



DWG. NO. 5559

| REF. NO. | PART NUMBER | DESCRIPTION                         | QTY. | REF. NO. | PART NUMBER | DESCRIPTION                                   | QTY. |
|----------|-------------|-------------------------------------|------|----------|-------------|---|------|
| 1        | 25011070    | Cover Assembly (Includes Items 2-5) | 1    | 5        | 25011071    | Rod   | 2    |
| 2        | 25011073    | Clevis                              | 2    | 6        | 031-10657   | Machine Screw 1/4-20 x 3/4 Slotted Round Head | 2    |
| 3        | 25011072    | Clevis                              | 1    | 7        | 952-002-011 | Flat Washer 1/4                               | 2    |
| 4        | 25010717    | Compression Spring                  | 2    | 8        | 060954      | Lock Nut 1/4-20 Nylon Insert                  | 2    |

PUSH FRAME ASSEMBLY

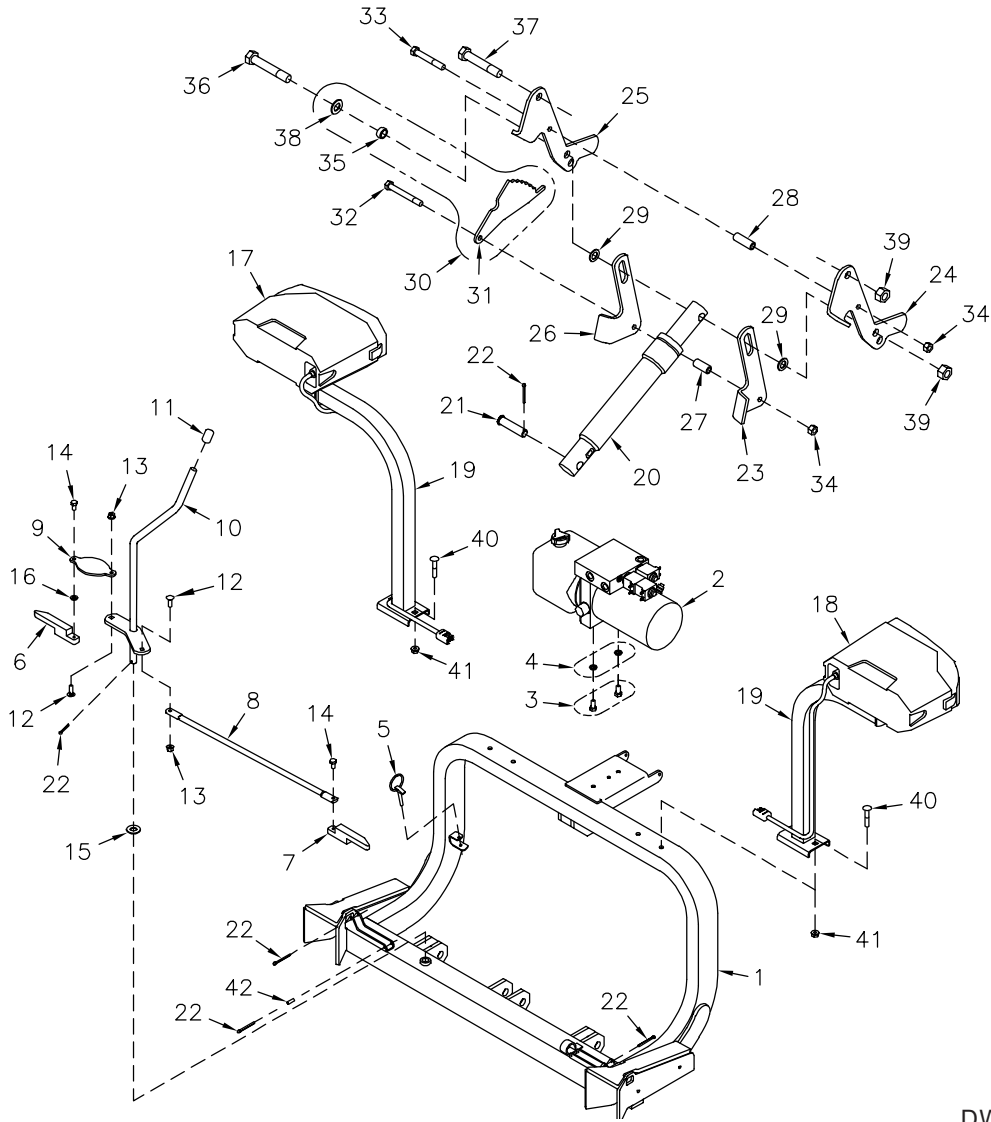


DWG. NO. 7818

| REF. NO. | PART NUMBER | DESCRIPTION                               | QTY. | REF. NO. | PART NUMBER | DESCRIPTION                             | QTY. |
|----------|-------------|---|------|----------|-------------|---|------|
| 1        | 25012483    | Push Frame Weld/Decal Assembly            | 1    | 14       | 25012614    | Drilled Bolt 3/4-10 x 5 Gr. 5           | 1    |
| 2        | 25010697    | Caution Decal                             | 1    | 15       | 034-00136   | Slotted Nut 3/4-10                      | 1    |
| 3        | 25010523    | 1 1/2 x 10 SA Cylinder (See Sec. 9 Pg. 9) | 2    | 16       | 950-001-030 | Hex Head Cap Screw 3/4-10 x 2 1/2 Gr. 5 | 2    |
| 4        | 25011050    | Park Stand Kit                            | 1    | 17       | 030-16198   | Carriage Bolt 3/4-10 x 3 1/2 Gr. 5      | 2    |
| 5        | 25010800    | Lever Weldment                            | 1    | 18       | 951-005-037 | Lock Nut 3/4-10 Inch 2-Way              | 4    |
| 6        | 25010801    | Stand Foot                                | 1    | 19       | 031-06219   | Hex Head Cap Screw 1/2-13 6 Gr. 5       | 2    |
| 7        | 25010798    | Bracket                                   | 1    | 20       | 10304       | Lock Nut 1/2-13 2-Way                   | 2    |
| 8        | 25010795    | Helical Torsion Spring                    | 1    | 21       | 950-001-106 | Hex Head Cap Screw 3/8-16 x 1 1/4 Gr. 5 | 2    |
| 9        | 25010797    | Tab Lock Pin, 1/4 x 2                     | 1    | 22       | 950-001-105 | Hex Head Cap Screw 3/8-16 x 1 Gr. 5     | 2    |
| 10       | 25011486    | Parking Stand Spacer                      | 1    | 23       | 951-005-003 | Lock Nut 3/8-16 Mac                     | 4    |
| 11       | 953-002-032 | Clevis Pin 3/4 x 3                        | 2    | 24       | 950-003-074 | Carriage Bolt 5/16-18 x 2 1/2 Gr. 5     | 1    |
| 12       | 035-42033   | Cotter Pin 5/32 x 1 1/4                   | 2    | 25       | 951-005-036 | Lock Nut 5/16-18 Mac Lock               | 1    |
| 13       | 25011477    | 2 13/16" Long Bushing                     | 2    | 26       | 953-001-008 | Cotter Pin 3/16 x 1 3/4                 | 1    |

9 CSES

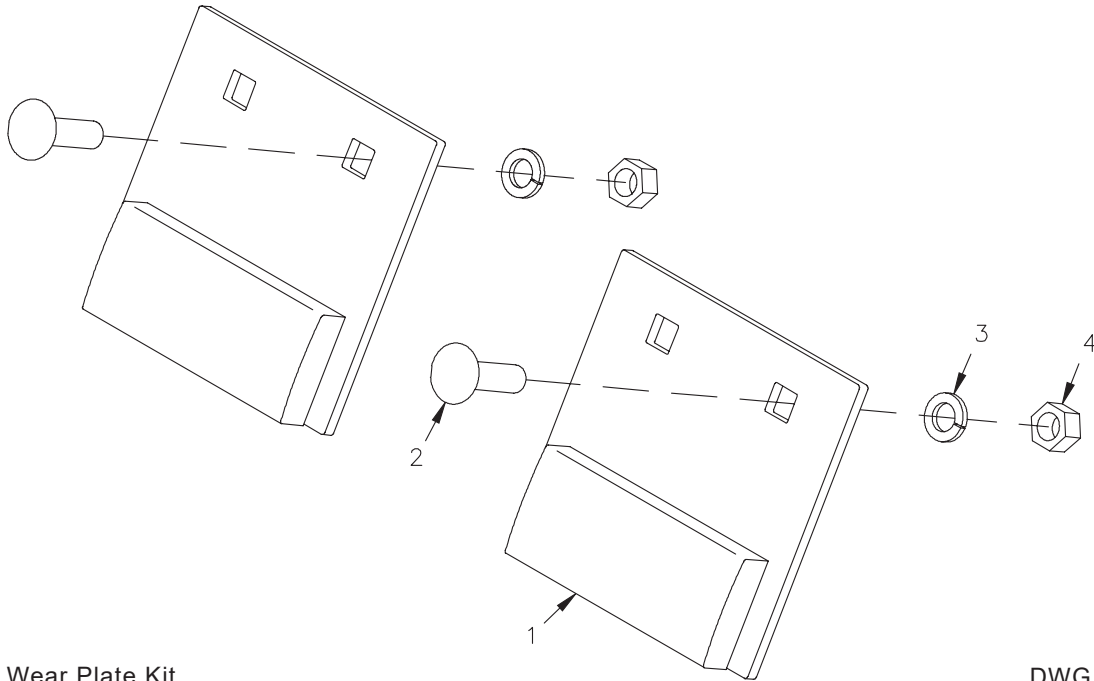
LIFT FRAME ASSEMBLY



DWG. NO. 7817A

| REF. NO. | PART NUMBER | DESCRIPTION                                     | QTY. | REF. NO. | PART NUMBER | DESCRIPTION   | QTY. |
|----------|-------------|---|------|----------|-------------|---|------|
| 1        | 25013338    | Frame Weldment                                  | 1    | 22       | 035-42033   | Cotter Pin 5/32 x 1 1/4                                 | 5    |
| 2        | 25012649    | Power Unit (See Sec. 9, P. 10)                  | 1    | 23       | 25012396    | RH Lower Link   | 1    |
| 3        | 950-001-089 | Hex Head Cap Screw 3/8-16 x 3/4 Gr. 5           | 2    | 24       | 25012394    | RH Upper Link   | 1    |
| 4        | 952-001-007 | Lock Washer 3/8 Inch                            | 2    | 25       | 25012393    | LH Upper Link   | 1    |
| 5        | 703-00209   | Klik Pin  | 1    | 26       | 25012395    | LH Lower Link   | 1    |
| 6        | 25012959    | LH Slider                                       | 1    | 27       | 25010114    | Lower Link Spacer                                       | 1    |
| 7        | 25012960    | RH Slider                                       | 1    | 28       | 25011048    | Upper Link Spacer                                       | 1    |
| 8        | 25012961    | Long Tie Rod                                    | 1    | 29       | 952-004-003 | Machinery Bushing 25/32 x 1 1/4 x .075                  | 2    |
| 9        | 25013157    | Short Latch Link                                | 1    | 30       | 25011986    | Stop Plate Kit (Includes Lock Nut #39)                  | 1    |
| 10       | 25012962    | Latch Lever Weldment                            | 1    | 31       | 25011984    | Stop Plate  | 1    |
| 11       | 25011230    | Vinyl Cap                                       | 1    | 32       | 950-001-301 | Hex Head Cap Screw 1/2-13 x 4 1/4 Gr. 5                 | 1    |
| 12       | 030-16042   | Carriage Bolt 5/16-18 x 1 Gr. 5                 | 2    | 33       | 950-001-142 | Hex Head Cap Screw 1/2-13 x 3 1/2 Gr. 5                 | 1    |
| 13       | 951-005-036 | Lock Nut 5/16-18 Mac Lock                       | 2    | 34       | 10304       | Lock Nut 1/2-13, 2-Way                                  | 2    |
| 14       | 950-011-042 | Hex Head Cap Screw 5/16-18 x 3/4 Nylon Dri-Lock | 2    | 35       | 25011885    | Bushing   | 1    |
| 15       | 952-003-003 | SAE Flat Washer 5/8 Inch                        | 1    | 36       | 950-001-311 | Hex Head Cap Screw 3/4-10 x 4 1/2 Gr. 5, 1 1/4 Thd Lgth | 1    |
| 16       | 033-12007   | SAE Flat Washer 5/16 Inch                       | 1    | 37       | 950-001-310 | Hex Head Cap Screw 3/4-10 x 4 1/4 Gr. 5, 1 1/4 Thd Lgth | 1    |
| 17       | 25013250    | LH Headlight Assembly (See Sec. 9, P. 14)       | 1    | 38       | 033-12013   | SAE Flat Washer 3/4 Inch                                | 1    |
| 18       | 25013251    | RH Headlight Assembly (See Sec. 9, P. 14)       | 1    | 39       | 951-005-037 | Lock Nut 3/4-10, 2-Way                                  | 2    |
| 19       | 25011334    | Light Bracket Weldment                          | 2    | 40       | 950-003-070 | Carriage Bolt 3/8-16 x 2 Gr. 5                          | 4    |
| 20       | 25011581    | 1 1/2 x 9 Cylinder (See Sec. 9, P. 9)           | 1    | 41       | 951-005-003 | Lock Nut 3/8-16 Mac Lock                                | 4    |
| 21       | 953-002-032 | Clevis Pin 3/4 x 3                              | 1    | 42       | 30008816    | Slotted Spring Pin 1/4 x 3/4                            | 1    |

**WEAR PLATE KIT**

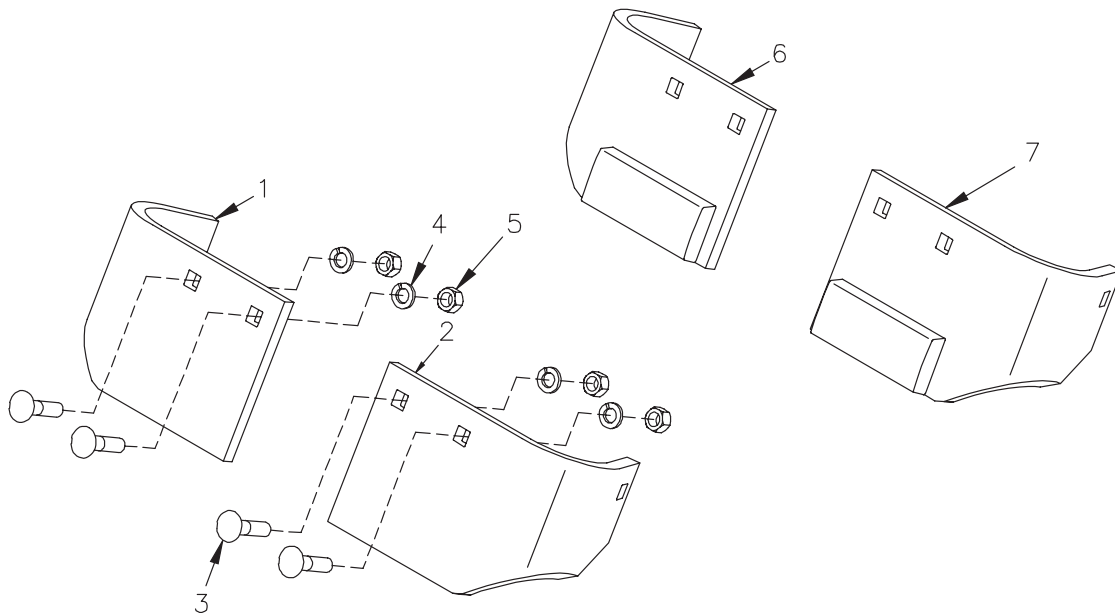


25012587 Wear Plate Kit

DWG. NO. 6331

| REF. NO. | PART NUMBER | DESCRIPTION                        | QTY. | REF. NO. | PART NUMBER | DESCRIPTION          | QTY. |
|----------|-------------|------------------------------------|------|----------|-------------|----------------------|------|
| 1        | 25012588    | Wear Plate Weldment                | 2    | 3        | 952-001-004 | Lock Washer 1/2 Inch | 4    |
| 2        | 950-003-058 | Carriage Bolt 1/2-13 x 1 3/4 Gr. 5 | 4    | 4        | 951-001-007 | Hex Nut 1/2-13       | 4    |

**CURB GUARD KITS**



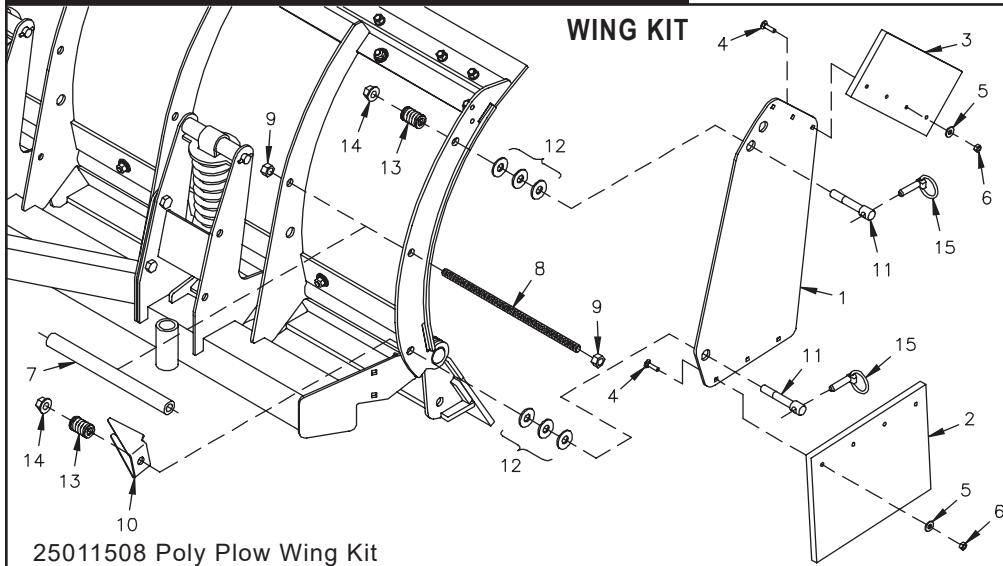
25011695 Curb Guard Kit - Standard

25012726 Curb Guard Kit With Wear Bars

DWG. NO. 5486

| REF. NO. | PART NUMBER | DESCRIPTION                        | QTY. | REF. NO. | PART NUMBER | DESCRIPTION                 | QTY. |
|----------|-------------|------------------------------------|------|----------|-------------|-----------------------------|------|
| 1        | 25011712    | RH Curb Guard - Standard           | 1    | 5        | 951-001-007 | Hex Nut 1/2-13              | 4    |
| 2        | 25011713    | LH Curb Guard - Standard           | 1    | 6        | 25012722    | RH Curb Guard With Wear Bar | 1    |
| 3        | 950-003-051 | Carriage Bolt 1/2-13 x 2 1/4 Gr. 5 | 4    | 7        | 25012723    | LH Curb Guard With Wear Bar | 1    |
| 4        | 952-001-004 | Lock Washer 1/2 Inch               | 4    |          |             |                             |      |

POLY TRIP EDGE PLOW 7802-7902

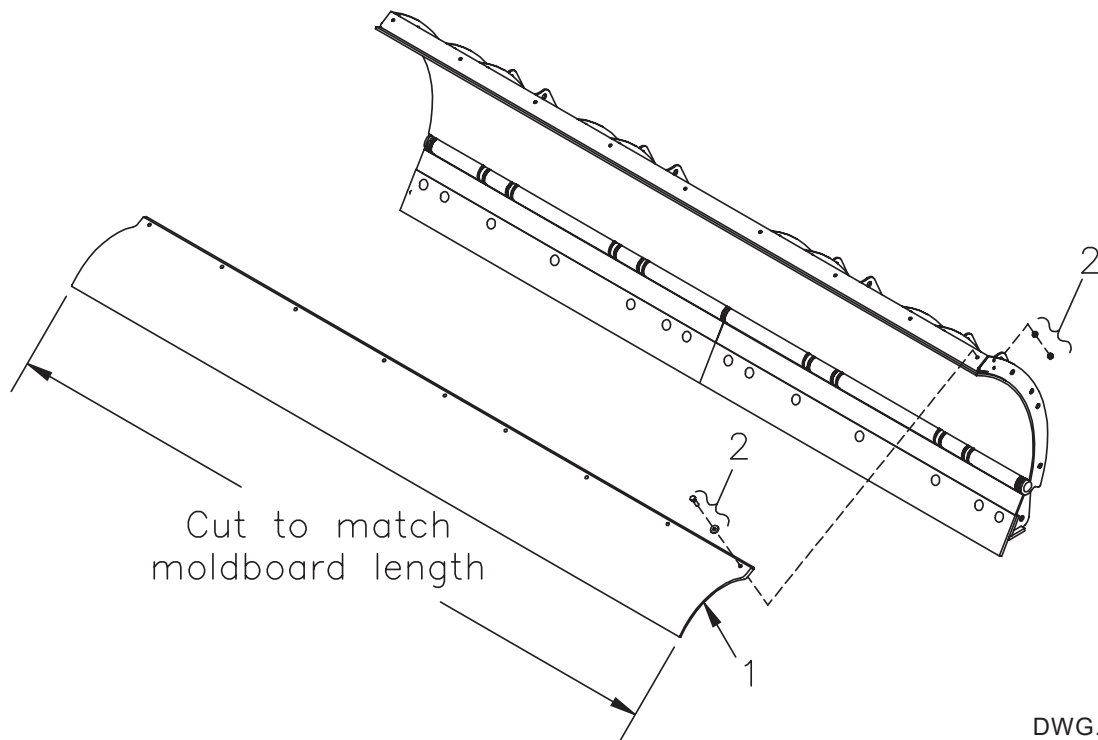


25011508 Poly Plow Wing Kit

DWG. NO. 6541

| REF. NO. | PART NUMBER | DESCRIPTION                    | QTY. | REF. NO. | PART NUMBER | DESCRIPTION              | QTY. |
|----------|-------------|--------------------------------|------|----------|-------------|--------------------------|------|
| 1        | 25011502    | Wing Blank                     | 2    | 9        | 10304       | Lock Nut 1/2-13, 2-Way   | 4    |
| 2        | 25010840    | Lower Wing Rubber              | 2    | 10       | 25011503    | Gusset                   | 2    |
| 3        | 25010841    | Upper Wing Rubber              | 2    | 11       | 25011504    | Quick Attach Bolt        | 4    |
| 4        | 030-12020   | Carriage Bolt 1/4-20 x 1 Gr. 5 | 12   | 12       | 952-002-005 | Flat Washer 1/2 Inch     | 16   |
| 5        | 952-002-011 | Flat Washer 1/4 Inch           | 12   | 13       | 25011506    | Compression Spring       | 4    |
| 6        | 951-005-089 | Lock Nut 1/4-20 2-Way          | 12   | 14       | 951-005-055 | Lock Nut 1/2-13 Mac Lock | 4    |
| 7        | 25012734    | Pipe                           | 2    | 15       | 25011577    | Lynch Pin 7/16 x 1 3/4   | 4    |
| 8        | 25012733    | Threaded Rod                   | 2    |          |             |                          |      |

POLY SNOW DEFLECTOR KITS



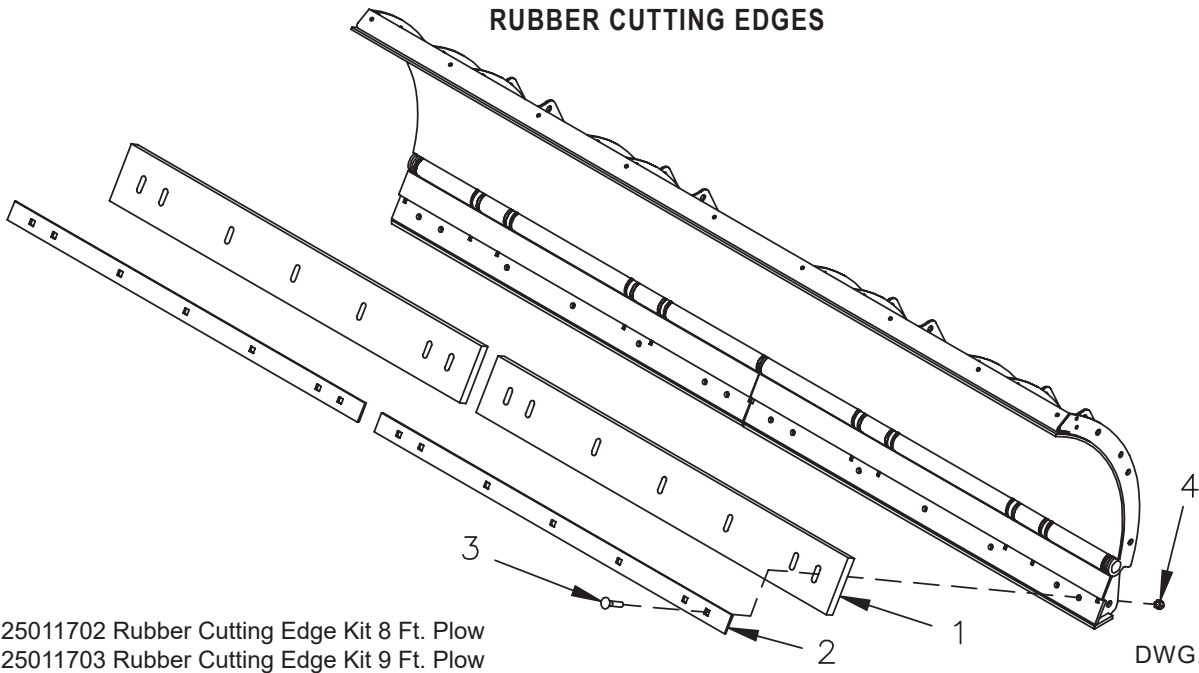
Cut to match moldboard length

DWG. NO. 5733

| REF. NO. | PART NUMBER | DESCRIPTION                     | QTY. | REF. NO. | PART NUMBER  | DESCRIPTION                                   | QTY. |
|----------|-------------|---------------------------------|------|----------|--|---|------|
| 1        | 25011789    | Poly Snow Deflector Kit 8' Plow | 1    | 25011983 | Poly Snow Deflector Kit 9' Plow (Two Extrusion Pieces) | 1   |      |
|          | 25011790    | Poly Snow Deflector Kit 9' Plow | 1    | 2        | 25011793   | Bolt Box, Snow Deflector (Included With Kits) | 1    |

POLY TRIP EDGE PLOW 7802-7902

RUBBER CUTTING EDGES

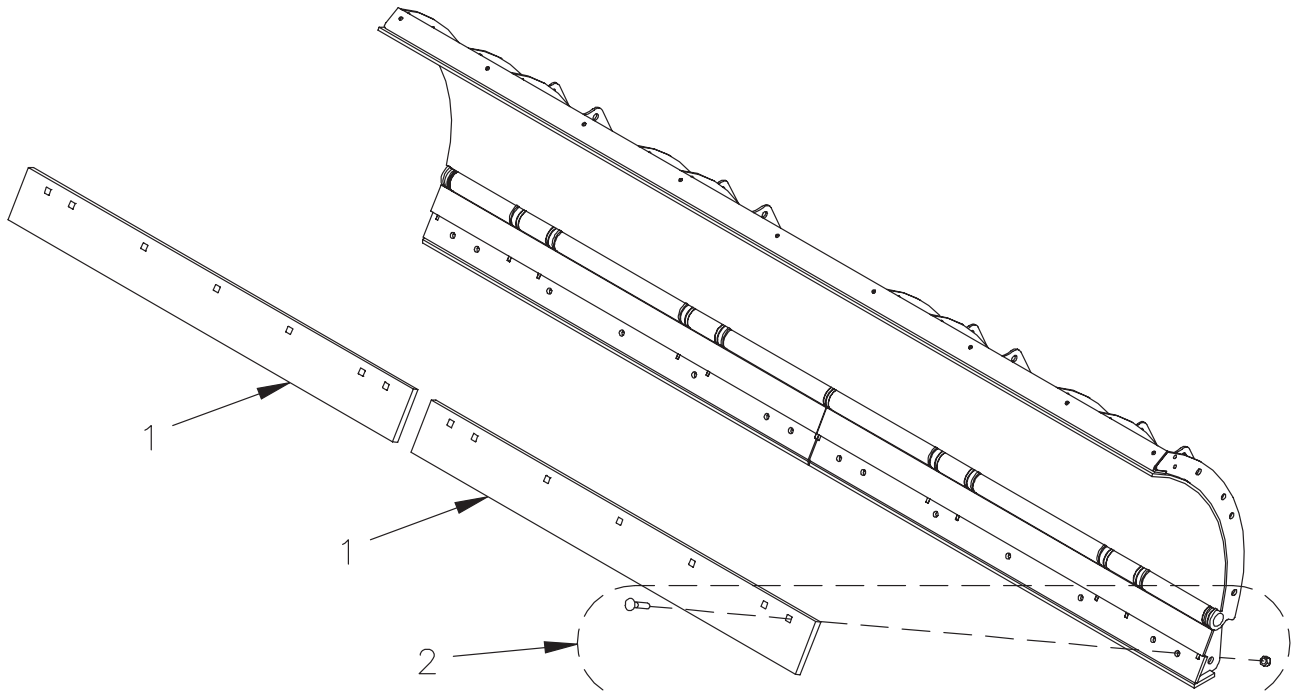


25011702 Rubber Cutting Edge Kit 8 Ft. Plow  
 25011703 Rubber Cutting Edge Kit 9 Ft. Plow

DWG. NO. 5685

| REF. NO. | PART NUMBER | DESCRIPTION                            | QTY. | REF. NO. | PART NUMBER | DESCRIPTION                        | QTY. |
|----------|-------------|--|------|----------|-------------|------------------------------------|------|
| 1        | 25011770    | 48" Rubber Cutting Edge For 8 Ft. Plow | 2    | 3        | 030-16136   | Carriage Bolt 1/2-13 x 2 1/2 Gr. 5 | 14   |
|          | 25011773    | 54" Rubber Cutting Edge For 9 Ft. Plow | 2    | 4        | 951-003-009 | Lock Nut 1/2-13 Nylon Insert       | 14   |
| 2        | 25011772    | Strap 8 Ft. Trip Edge Plow             | 2    |          |             |                                    |      |
|          | 25011775    | Strap 9 Ft. Trip Edge Plow             | 2    |          |             |                                    |      |

1/2" THICK CUTTING EDGES



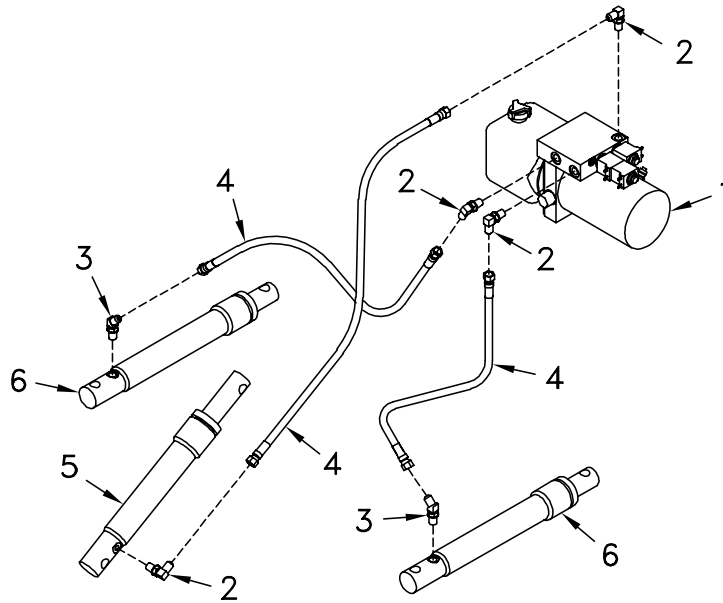
DWG. NO. 5890

| REF. NO. | PART NUMBER | DESCRIPTION                              | QTY. | REF. NO. | PART NUMBER | DESCRIPTION           | QTY. |
|----------|-------------|--|------|----------|-------------|-----------------------|------|
| 1        | 25012027    | 48" Cutting Edge For 8' Plow, 1/2" Thick | 2    | 2        | 25011578    | Cutting Edge Bolt Kit | 1    |
|          | 25012029    | 54" Cutting Edge For 9' Plow, 1/2" Thick | 2    |          |             |                       |      |

9 CSES



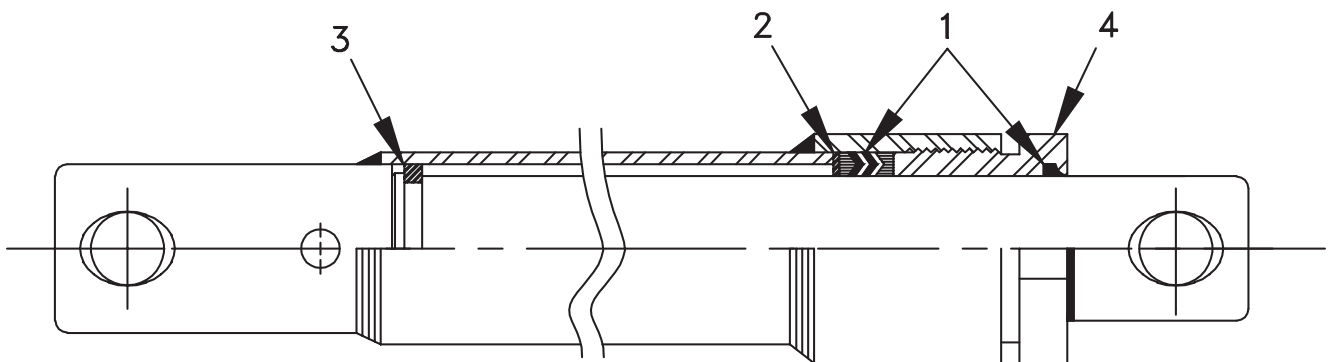
HYDRAULIC OVERVIEW



DWG. NO. 5668

| REF. NO. | PART NUMBER | DESCRIPTION                     | QTY. | REF. NO. | PART NUMBER | DESCRIPTION                           | QTY. |
|----------|-------------|---------------------------------|------|----------|-------------|---------------------------------------|------|
| 1        | 25012649    | Power Unit (See Sec 9, Pg 10)   | 1    | 4        | 957-010-005 | Hydraulic Hose Assembly 1/4 x 32"     | 3    |
| 2        | 956-005-022 | 90° Adapter 9/16 ORB x 9/16 JIC | 4    | 5        | 25011581    | 1 1/2 x 9 Cylinder (See Sec 9, Pg 9)  | 1    |
| 3        | 956-005-023 | 45° Adapter 9/16 ORB x 9/16 JIC | 2    | 6        | 25010523    | 1 1/2 x 10 Cylinder (See Sec 9, Pg 9) | 2    |

HYDRAULIC CYLINDERS



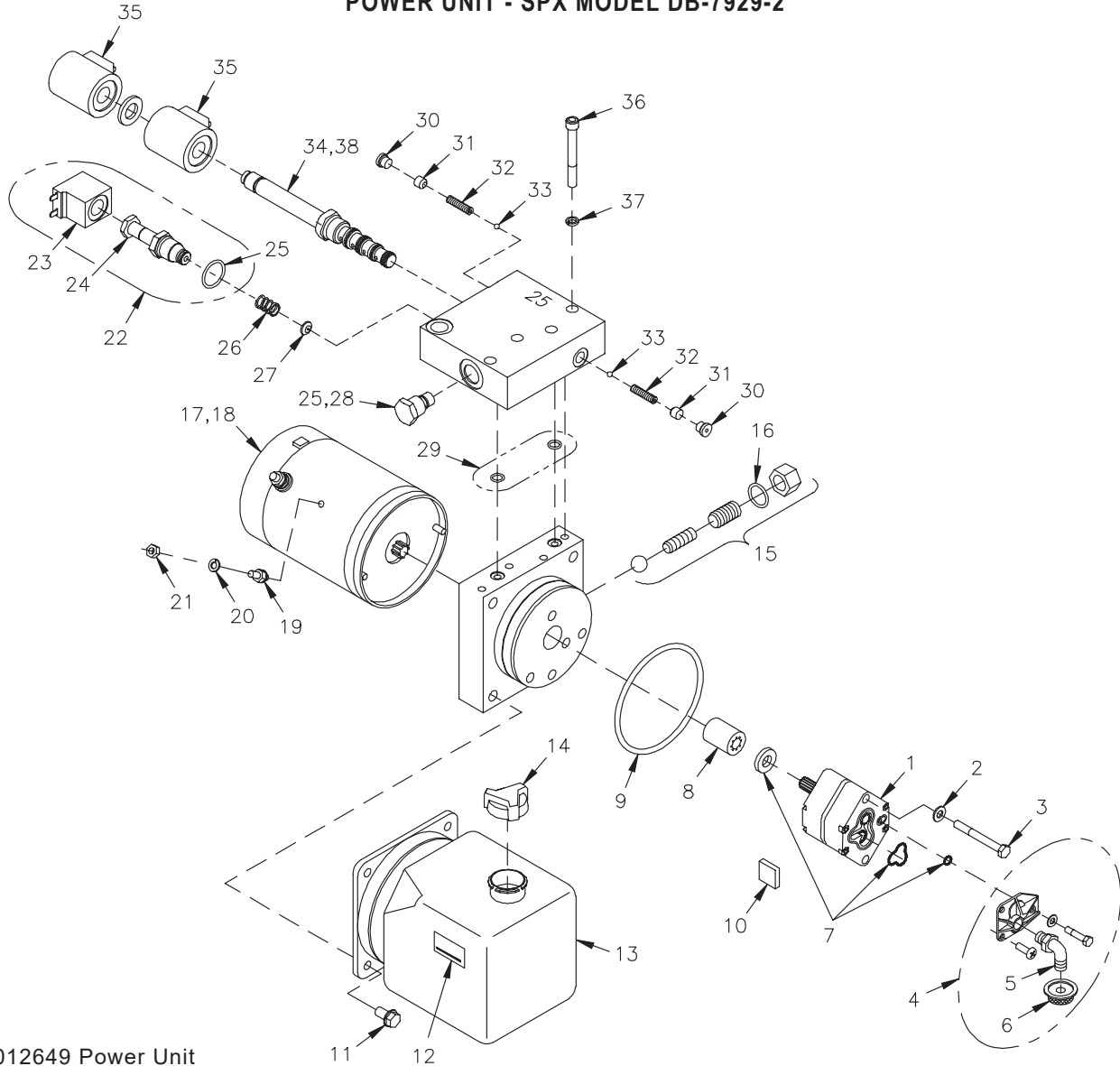
25010523 1 1/2 x 10 Cylinder  
 25011581 1 1/2 x 9 Cylinder

DWG. NO. 5669

| REF. NO. | PART NUMBER | DESCRIPTION | QTY. | REF. NO. | PART NUMBER | DESCRIPTION | QTY. |
|----------|-------------|-------------|------|----------|-------------|-------------|------|
| 1        | 25010464    | Seal Kit    | 1    | 3        | 25010017    | Guide Ring  | 1    |
| 2        | 25010016    | Seat Ring   | 1    | 4        | 25010018    | Packing Nut | 1    |

SEC 9

POWER UNIT - SPX MODEL DB-7929-2



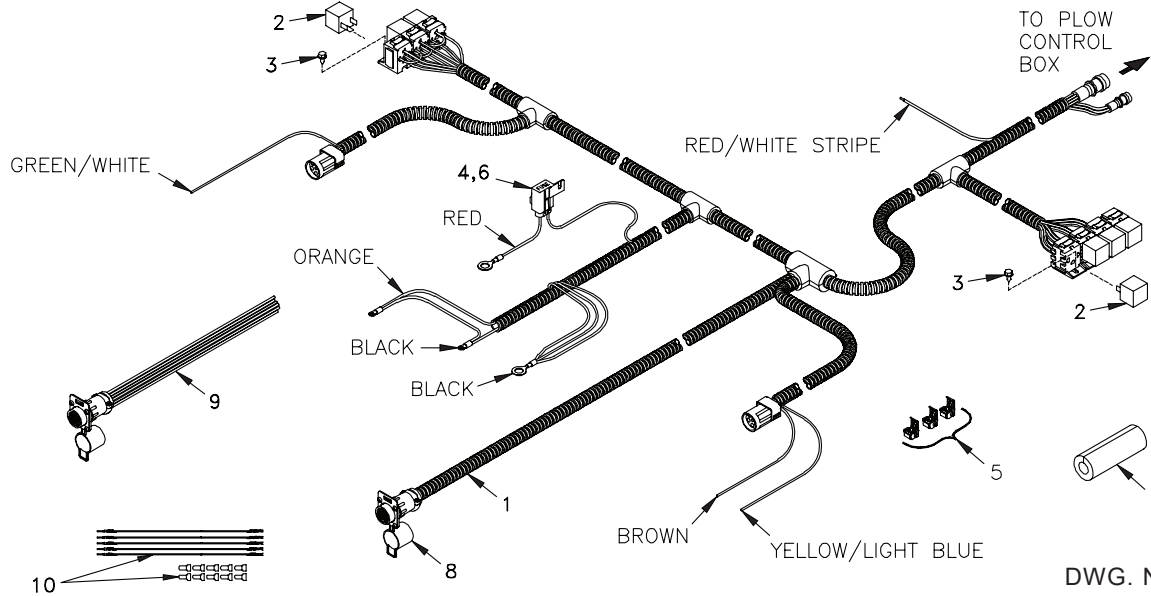
25012649 Power Unit  
Model No. DB-7929-2

DWG.NO. 6527

| REF. NO. | PART NUMBER | DESCRIPTION                                  | QTY. | REF. NO. | PART NUMBER | DESCRIPTION  | QTY. |
|----------|-------------|--|------|----------|-------------|--|------|
| 1        | 25011706    | Pump Assembly                                | 1    | 20       | 952-001-001 | Lock Washer 1/4 Inch                               | 1    |
| 2        | 033-12007   | SAE Flat Washer, 5/16 Inch                   | 2    | 21       | 951-001-003 | Hex Nut 1/4-20                                     | 1    |
| 3        | 950-001-327 | Hex Head Cap Screw 5/16-24 x 3 Gr. 8         | 2    | 22       | 25011654    | Release Valve Kit, Double Spade Coil               | 1    |
| 4        | 25010332    | Inlet Plumbing Kit                           | 1    | 23       | 25011667    | Solenoid Coil 10V DC                               | 1    |
| 5        | 25010244    | Plumbing Elbow                               | 1    | 24       | 25010544    | Cartridge Release Valve                            | 1    |
| 6        | 25010221    | Filter                                       | 1    | 25       | 25010992    | O-Ring Kit   | 1    |
| 7        | 25010334    | Pump O-Ring Kit                              | 1    | 26       | 25012674    | Spring   | 1    |
| 8        | 25010214    | Coupling                                     | 1    | 27       | 25012677    | Return Orifice                                     | 1    |
| 9        | 25010236    | O-Ring                                       | 1    | 28       | 25010746    | Check Valve  | 1    |
| 10       | 25010220    | Plumbing Magnet                              | 1    | 29       | 25013881    | Manifold O-Ring Kit                                | 1    |
| 11       | 950-004-071 | Machine Screw #12-24 x 1/2 - Hex Washer Head | 4    | 30       | 25012686    | ORB Plug   | 2    |
| 12       | 25010436    | Decal - Fill Line                            | 1    | 31       | 25012685    | Set Screw 3/8-24 x .38 Selflock                    | 2    |
| 13       | 25010240    | Plastic Tank                                 | 1    | 32       | 25012684    | Spring   | 2    |
| 14       | 25010217    | Plastic Breather                             | 1    | 33       | 25012683    | Ball .25 Dia. Steel                                | 2    |
| 15       | 25010330    | Adjustable Relief Valve Kit                  | 1    | 34       | 25012688    | Directional Valve                                  | 1    |
| 16       | 25010518    | Adjustable Relief Valve O-Ring               | 1    | 35       | 25012687    | Solenoid Coil 10V DC                               | 2    |
| 17       | 25010230    | Motor 12V DC                                 | 1    | 36       | 950-004-115 | Socket Head Cap Screw W/Thread Lock 1/4-20 x 1 3/4 | 4    |
| 18       | 25010337    | Motor Brush Kit                              | 1    | 37       | 952-004-080 | Lock Washer 1/4 x .363 O.D.                        | 4    |
| 19       | 25012673    | Ground Stud                                  | 1    | 38       | 25013107    | Seal Kit   | 1    |

GCS

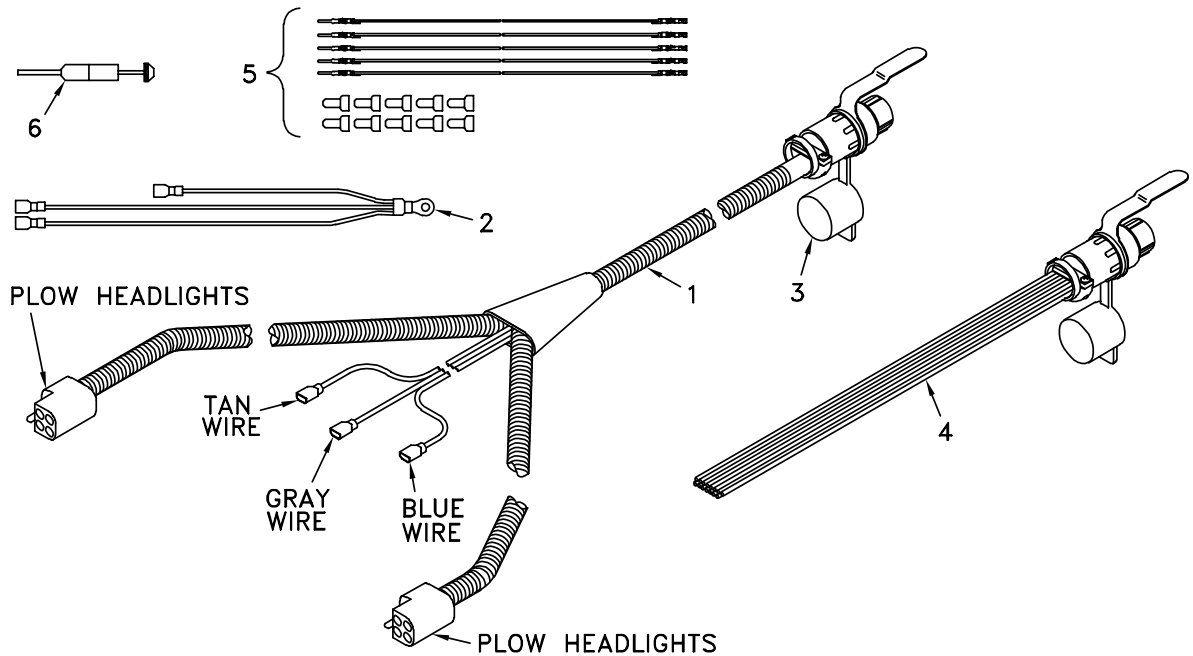
**UNDERHOOD WIRING HARNESS**



DWG. NO. 6743

| REF. NO. | PART NUMBER | DESCRIPTION  | QTY. | REF. NO. | PART NUMBER | DESCRIPTION                   | QTY. |
|----------|-------------|--|------|----------|-------------|-------------------------------|------|
| 1        | 38813097    | Underhood Harness With 16 Pin CPC (Includes Relays And Fuse) | 1    | 6        | 38400012    | Cover, Fuse Holder            | 1    |
| 2        | 38350010    | Headlight/Accessory Relay                                    | 7    | 7        | 39107001    | Foam Grommet 4" Long          | 1    |
| 3        | 031-30078   | S-Tap Screw #8-18 x 1/2 Slotted Hex Head                     | 4    | 8        | 36716043    | Dust Cap                      | 1    |
| 4        | 39207031    | 10 Amp Fuse  | 1    | 9        | 38813106    | Repair Pigtail, AMP CPC       | A/R  |
| 5        | 38610104    | Sealed Quick Connect   | 3    | 10       | 38813108    | Repair Kit, AMP CPC (5 Wires) | A/R  |

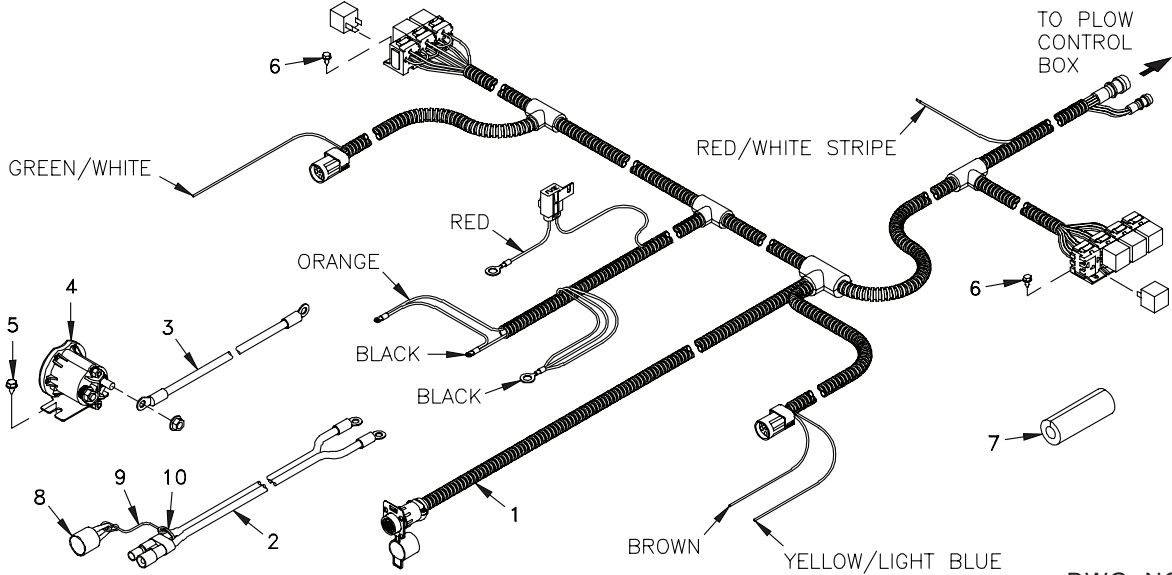
**PLOW WIRING HARNESS- COMPOSITE HEADLAMPS**



DWG. NO. 6746A

| REF. NO. | PART NUMBER | DESCRIPTION                                 | QTY. | REF. NO. | PART NUMBER | DESCRIPTION                   | QTY. |
|----------|-------------|---|------|----------|-------------|-------------------------------|------|
| 1        | 38813099    | 4 Function External Harness W/CPC Connector | 1    | 4        | 38813107    | Repair Pigtail, AMP CPC Plow  | A/R  |
| 2        | 38813094    | Ground Harness 1/4" Ring                    | 1    | 5        | 38813108    | Repair Kit, AMP CPC (5 Wires) | A/R  |
|          | 38813160    | Ground Harness 5/16" Ring                   | 1    | 6        | 38640000    | Pin/ Socket Extraction Tool   | 1    |
| 3        | 36716042    | Dust Cap                                    | 1    |          |             |                               |      |

**UNDERHOOD WIRING REMOUNT KIT W/CPC**

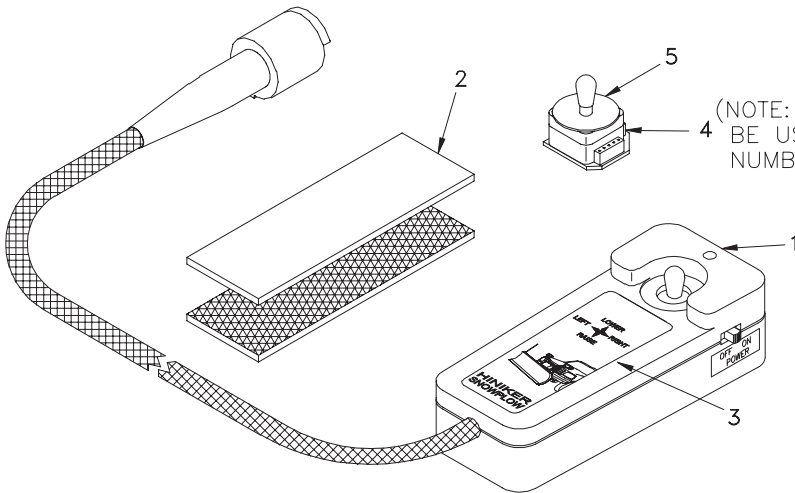


25013295 Remount Kit

DWG. NO. 6993

| REF. NO. | PART NUMBER | DESCRIPTION                                     | QTY. | REF. NO. | PART NUMBER | DESCRIPTION                                     | QTY. |
|----------|-------------|---|------|----------|-------------|---|------|
| 1        | 38813097    | Underhood Harness W/16 Pin CPC                  | 1    | 6        | 031-30078   | Self Tapping Screw #8-18 x 1/2 Slotted Hex Head | 4    |
| 2        | 38813066    | Cable Battery Power 9 Ft                        | 1    | 7        | 39107001    | Foam Grommet                                    | 1    |
| 3        | 38813012    | Cable, Solenoid 24"                             | 1    | 8        | 36716002    | Dust Cap  | 1    |
| 4        | 38350015    | Motor Solenoid                                  | 1    | 9        | 36716025    | Nylon Lanyard 8"                                | 1    |
| 5        | 950-005-004 | Self Tapping Screw 1/4-20 x 1/2 Hex Washer Head | 2    | 10       | 367-001-014 | Cable Tie 8"                                    | 1    |

**JOYSTICK CONTROLLER**

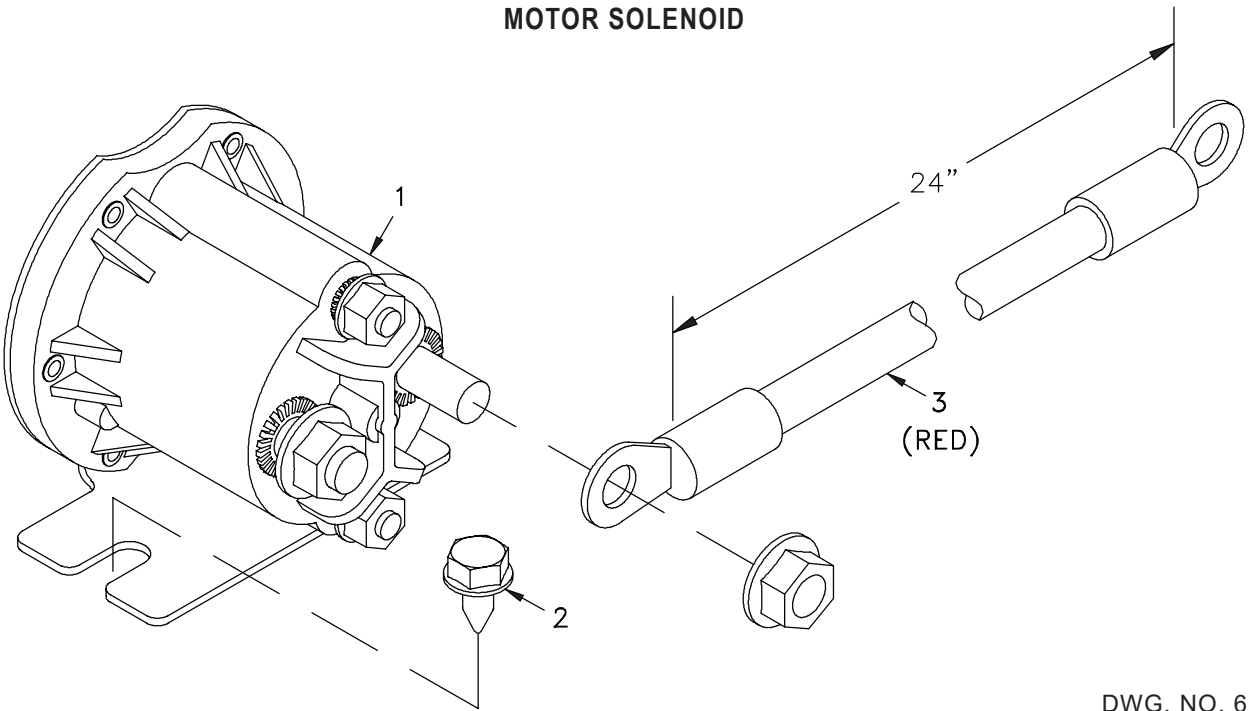


DWG. NO. 5925

| REF. NO. | PART NUMBER | DESCRIPTION                                 | QTY. | REF. NO. | PART NUMBER | DESCRIPTION                 | QTY. |
|----------|-------------|---|------|----------|-------------|-----------------------------|------|
| 1        | 36014020    | Joystick Straight Plow W/Replaceable Switch | 1    | 4        | 36014019    | Replaceable Switch Assembly | 1    |
| 2        | 39108005    | Hook & Loop Assembly                        | 1    | 5        | 36716033    | Gasket                      | 1    |
| 3        | 39302141    | Decal, Straight Plow Joystick, 2 Sided      | 1    |          |             |                             |      |

**SECTION 9**

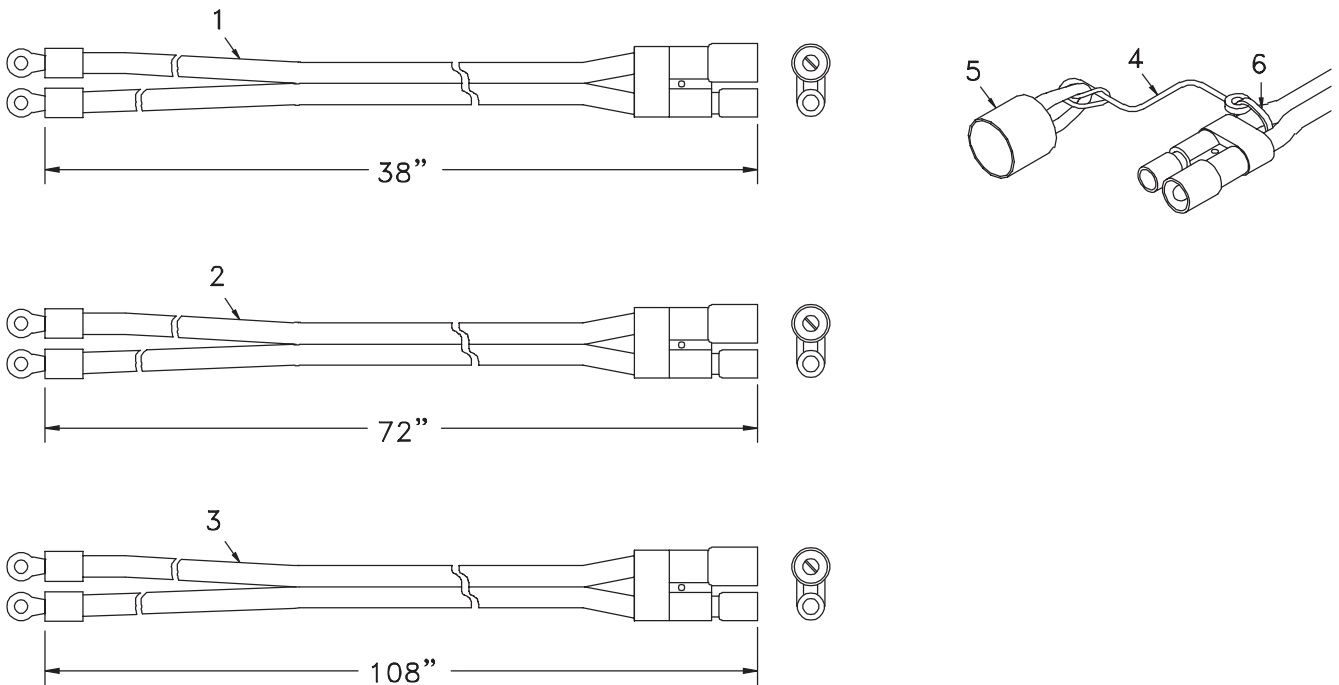
MOTOR SOLENOID



DWG. NO. 6559

| REF. NO. | PART NUMBER | DESCRIPTION                                     | QTY. | REF. NO. | PART NUMBER | DESCRIPTION                       | QTY. |
|----------|-------------|---|------|----------|-------------|-----------------------------------|------|
| 1        | 38350015    | Motor Solenoid, Sealed                          | 1    | 3        | 38813012    | Solenoid Cable, Red 4 Ga. 24 Inch | 1    |
| 2        | 950-005-004 | Self Tapping Screw 1/4-20 x 1/2 Hex Washer Head | 2    |          |             |                                   |      |

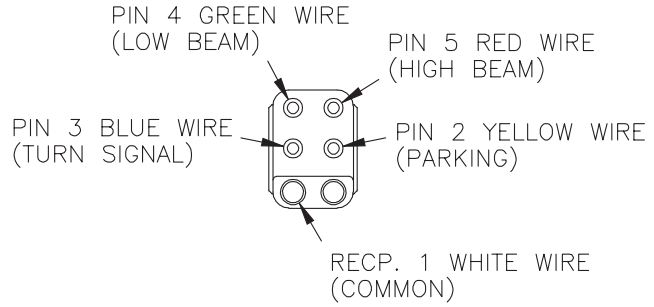
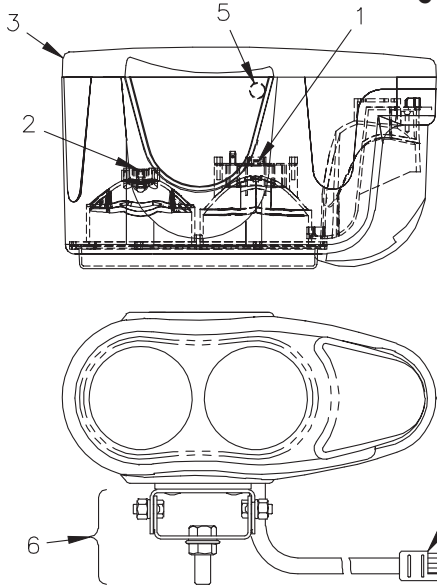
POWER CABLES AND DUST CAPS



DWG. NO. 6744

| REF. NO. | PART NUMBER | DESCRIPTION                       | QTY. | REF. NO. | PART NUMBER | DESCRIPTION      | QTY. |
|----------|-------------|-----------------------------------|------|----------|-------------|------------------|------|
| 1        | 38812008    | Battery Power Cable - Snow Plow   | 1    | 4        | 36716025    | Nylon Lanyard 8" | A/R  |
| 2        | 38813007    | Battery Power Cable - Truck 6 Ft. | 1    | 5        | 36716002    | Large Dust Cap   | A/R  |
| 3        | 38813066    | Battery Power Cable - Truck 9 Ft. | 1    | 6        | 367-001-014 | Cable Tie 8"     | A/R  |

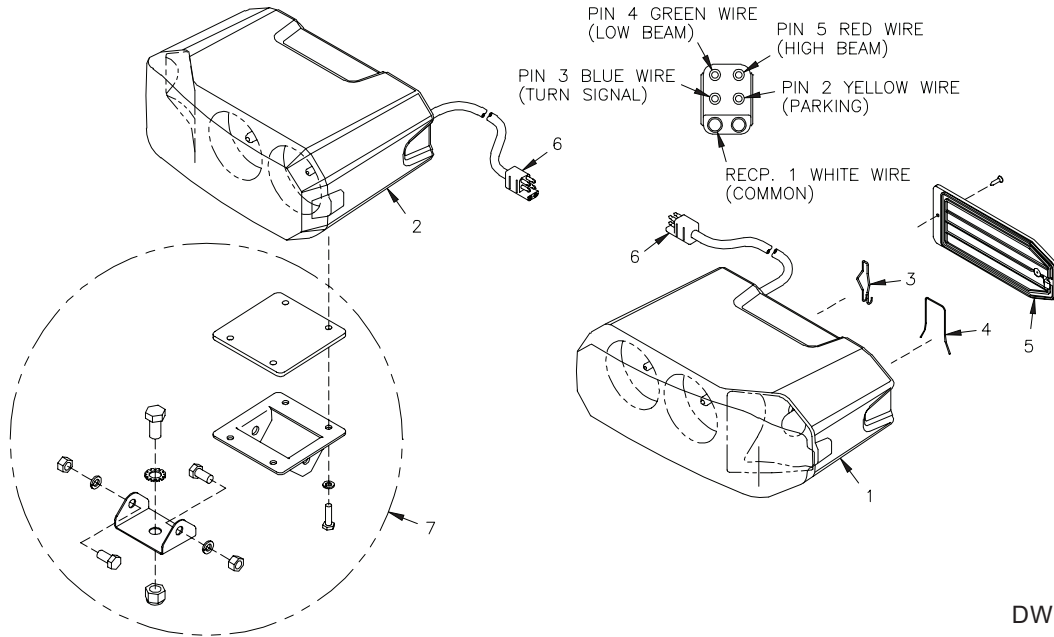
COMPOSITE HEADLAMPS



DWG. NO. 6628A

| REF. NO. | PART NUMBER | DESCRIPTION            | QTY. | REF. NO. | PART NUMBER | DESCRIPTION  | QTY. |
|----------|-------------|------------------------|------|----------|-------------|--|------|
|          | 25012793    | LH Light Assembly      | 1    | 5        | 25012417    | Conduit Clamp  | 1    |
|          | 25012792    | RH Light Assembly      | 1    | 6        | 25012850    | Hardware Kit - Upper & Lower (For 2 Lights)                              | 1    |
| 1        | 25012416    | Spring Clip, High Beam | 1    |          | N/A         | High Beam Headlight Bulb - One #H1 12V, 55W                              | 1    |
| 2        | 25012415    | Spring Clip, Low Beam  | 1    |          | N/A         | Low Beam Headlight Bulb - One #H7 12V, 55W                               | 1    |
| 3        | 25012414    | Back Panel, LH Light   | 1    |          | N/A         | Turn Signal/Parking Bulb - One #1157 Heavy Duty Double Contact 32/3 C.P. | 1    |
|          | 25012419    | Back Panel, RH Light   | 1    |          |             |  |      |
| 4        | 25012418    | Wire Harness           | 1    |          |             |  |      |

COMPOSITE HEADLAMPS



DWG. NO. 6899

| REF. NO. | PART NUMBER | DESCRIPTION            | QTY. | REF. NO. | PART NUMBER | DESCRIPTION  | QTY. |
|----------|-------------|------------------------|------|----------|-------------|--|------|
| 1        | 25013250    | LH Light Assembly      | 1    | 7        | 25013249    | Hardware Kit-Upper & Lower (For 2 Lights)                              | 1    |
| 2        | 25013251    | RH Light Assembly      | 1    |          | N/A         | High Beam Headlight Bulb-One #H1 12V, 55W                              | 1    |
| 3        | 25012416    | Spring Clip, High Beam | 1    |          | N/A         | Low Beam Headlight Bulb-One #H7 12V, 55W                               | 1    |
| 4        | 25012415    | Spring Clip, Low Beam  | 1    |          | N/A         | Turn Signal/Parking Bulb-One #1157 Heavy Duty Double Contact 32/3 C.P. | 1    |
| 5        | 25013247    | Back Panel             | 1    |          |             |  |      |
| 6        | 25013248    | Wire Harness           | 1    |          |             |  |      |

SECTION 9