

SECTION 7

POLY TRIP EDGE

SCOOP PLOW

MODELS: 6801, 6901

PLOW COMPONENTS

- PAGE 2** MOLDBOARD ASSEMBLIES
- PAGE 4** PUSH FRAME ASSEMBLY
- PAGE 5** LIFT FRAME ASSEMBLY
- PAGE 6** POWER UNIT COVER ASSEMBLY
POLY SNOW DEFLECTOR KITS
- PAGE 7** STEEL CUTTING EDGE KITS
RUBBER CUTTING EDGE KITS
- PAGE 8** WEAR PLATE KIT
CURB GUARD KITS

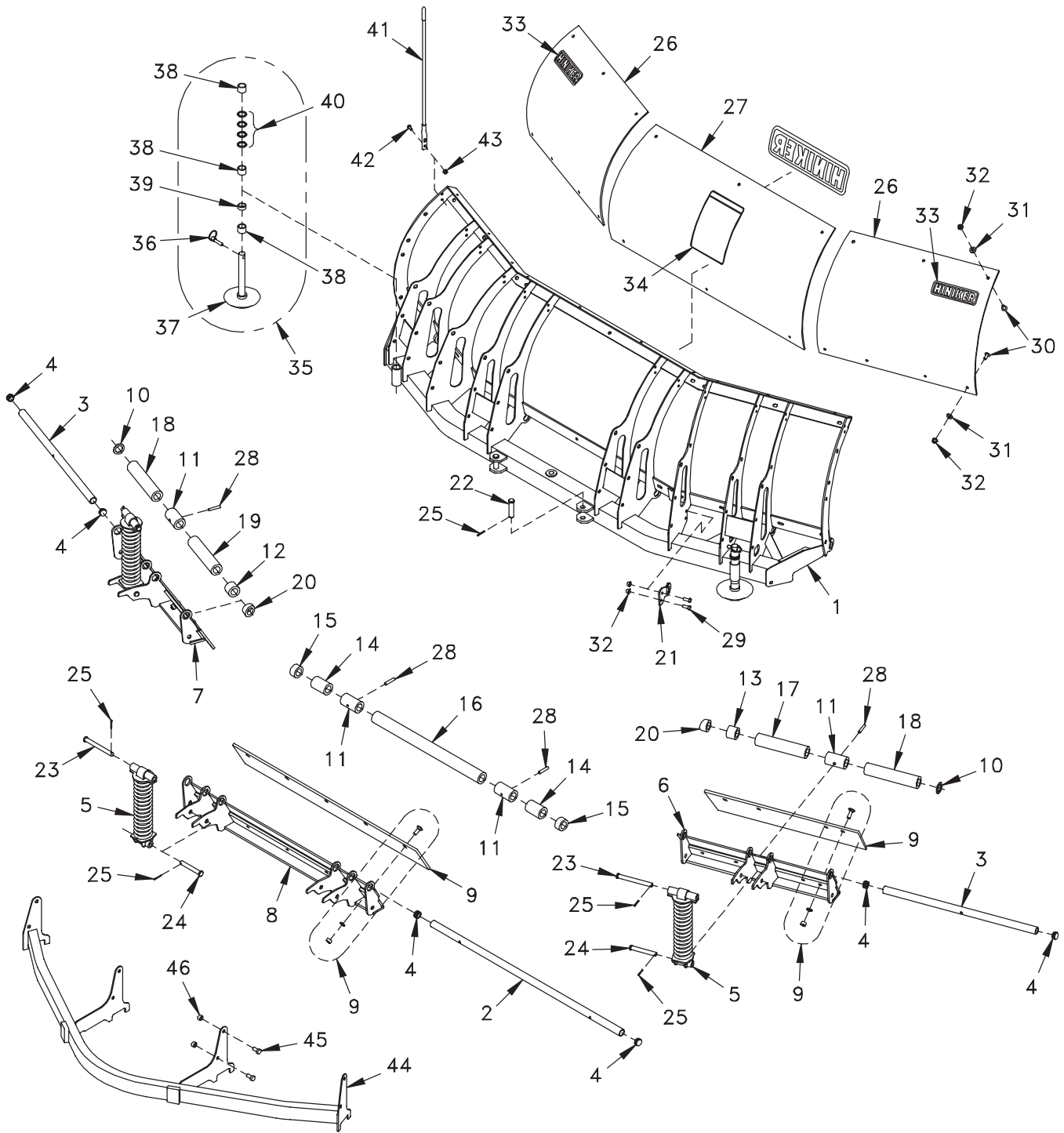
HYDRAULIC COMPONENTS

- PAGE 9** HYDRAULIC OVERVIEW
HYDRAULIC CYLINDERS
- PAGE 10** POWER UNIT - SPX MODEL DB-7929-2

ELECTRICAL COMPONENTS

- PAGE 11** UNDERHOOD WIRING HARNESS
PLOW WIRING HARNESS
- PAGE 12** UNDERHOOD WIRING REMOUNT KIT W/CPC
JOYSTICK CONTROLLER
- PAGE 13** MOTOR SOLENOID
POWER CABLES AND DUST CAPS
- PAGE 14** COMPOSITE HEADLAMPS

MOLDBOARD ASSEMBLY



SECTION
7

25012989 8' Moldboard Assembly
25012991 9' Moldboard Assembly

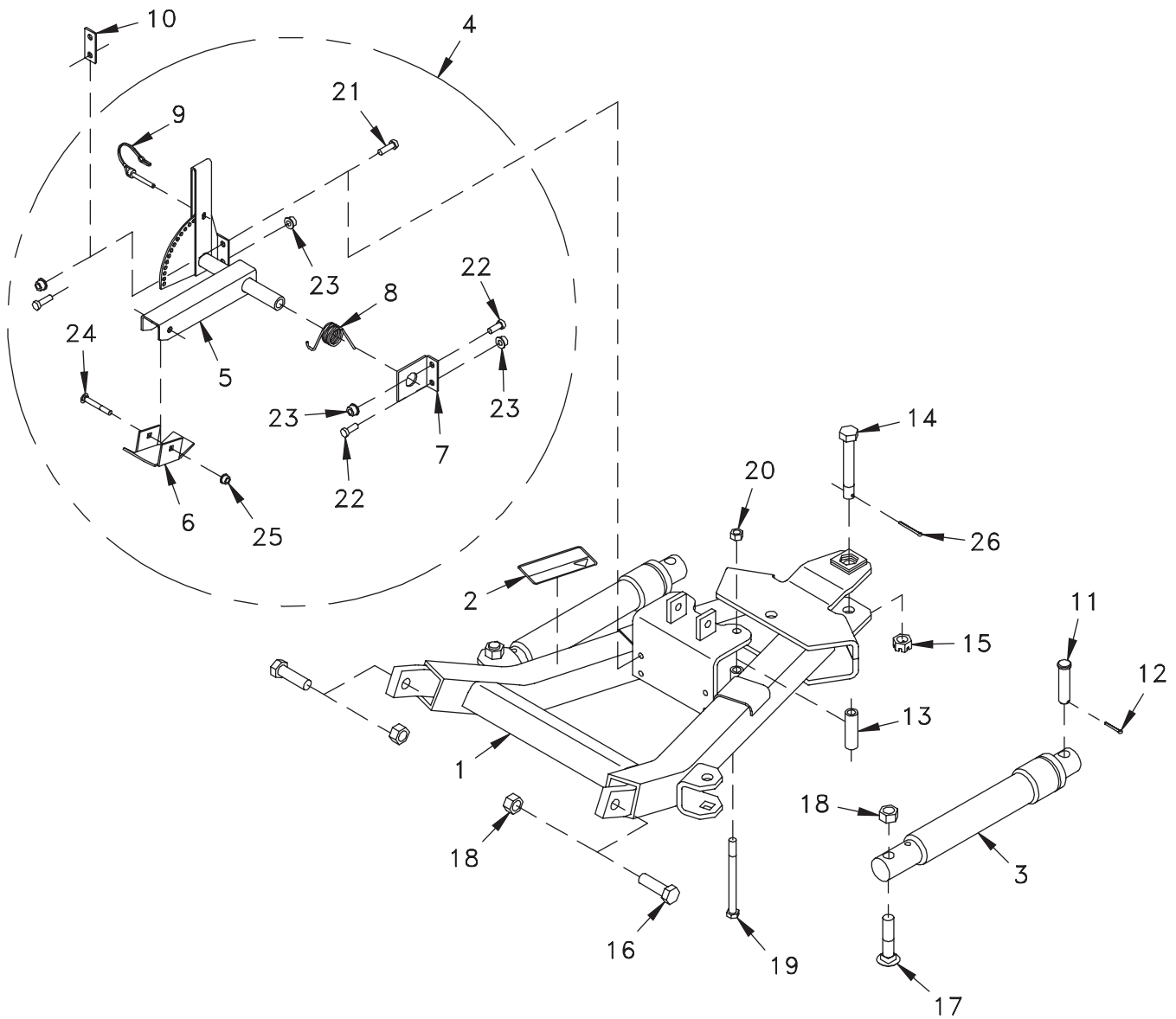
DWG. NO. 7382

POLY SCOOP PLOW 6801-6901

REF. NO.	PART NUMBER	DESCRIPTION	QTY.	REF. NO.	PART NUMBER	DESCRIPTION	QTY.
1	25011653	Scoop Frame Weldment-8' Plow (Shown)	1	21	25011562	Middle Shaft Support	1
	25012621	Scoop Frame Weldment-9' Plow	1	22	953-002-032	Clevis Pin 3/4 x 3	2
2	25012617	Middle Trip Pin-8' Plow	1	23	953-002-045	Clevis Pin 5/8 x 6	4
	25012620	Middle Trip Pin-9' Plow	1	24	953-002-044	Clevis Pin 5/8 x 4 3/8	4
3	25012618	End Trip Pin	2	25	035-42033	Cotter Pin 5/32 x 1 1/4	10
4	25012375	End Cap	6	26	25011559	Poly Moldboard Blank-End	2
5	25011373	Spring Assembly	4	27	25012191	Poly Moldboard Blank/Decal Assembly-8' Plow	1
6	25011542	RH Trip Edge Weldment	1		25012192	Poly Moldboard Blank/Decal Assembly-9' Plow	1
7	25011541	LH Trip Edge Weldment	1	28	30009024	Slotted Spring Pin 3/8 x 2	4
8	25011655	Middle Trip Edge Weldment-8' Plow	1	29	950-001-324	Hex Head Cap Screw 3/8-16 x 3/4 Gr. 8	2
	25011531	Middle Trip Edge Weldment-9' Plow	1	30	700-11704	Machine Screw 3/8-16 x 1 Slotted Truss Head	A/R
9	25013302	Cutting Edge Kit 8' Plow 1/2" Thk (See Sec.7 P.7)	1	31	952-002-013	Flat Washer 3/8 Inch, Stainless Steel	A/R
	25013303	Cutting Edge Kit 9' Plow 1/2" Thk (See Sec.7 P.7)	1	32	951-005-003	Lock Nut 3/8-16 Mac Lock	A/R
	25011776	Rubber Cutting Edge Kit 8' Plow (See Sec.7 P.7)	1	33	25011684	Hiniker Decal	2
	25011782	Rubber Cutting Edge Kit 9' Plow (See Sec.7 P.7)	1	34	25013502	Snowplow Removal Decal	1
10	952-004-076	Machinery Bushing 1 1/4 x 1 7/8 x 10 Ga.	2	35	25011487	Cast Iron Skid Assembly	2
11	25011341	Bushing, 3 3/8" Lg Steel	4	36	25010319	Klik Pin	2
12	25011719	Bushing, 1 1/2" Lg Poly	1	37	25011478	Cast Iron Skid Shoe	2
13	25011570	Bushing, 1 11/16" Lg Poly	1	38	25010049	1" Skid Spacer	6
14	25011634	Bushing, 3" Lg Poly-8' Plow	2	39	25010048	1/2" Skid Spacer	2
	25011566	Bushing, 8 11/16" Lg Poly-9 Plow	2	40	952-004-071	Machinery Bushing 1 5/32 x 1 1/2 x 10 Ga.	8
15	25011568	Bushing, 1" Lg Poly	2	41	25010118	Blade Guide Red	2
16	25011567	Bushing, 24 5/16" Lg Poly	1	42	950-001-113	Hex Head Cap Screw 5/16-18 x 3/4 Gr. 5	4
17	25011566	Bushing, 8 11/16" Lg Poly	1	43	951-005-036	Lock Nut 5/16-18 Mac Lock	4
18	25011565	Bushing, 9 5/16" Lg Poly	2	44	25011656	Quadrant Weldment - 8' Plow (Shown)	1
19	25011564	Bushing, 8 7/8" Lg Poly	1		25012624	Quadrant Weldment - 9' Plow	1
20	25011563	Angled Bushing, 1 1/8" Lg Poly	2	45	950-001-231	Hex Head Cap Screw 1/2-13 x 1 Gr. 5	A/R
				46	10304	Lock Nut 1/2-13 2-Way	A/R

SEC
7

PUSH FRAME ASSEMBLY

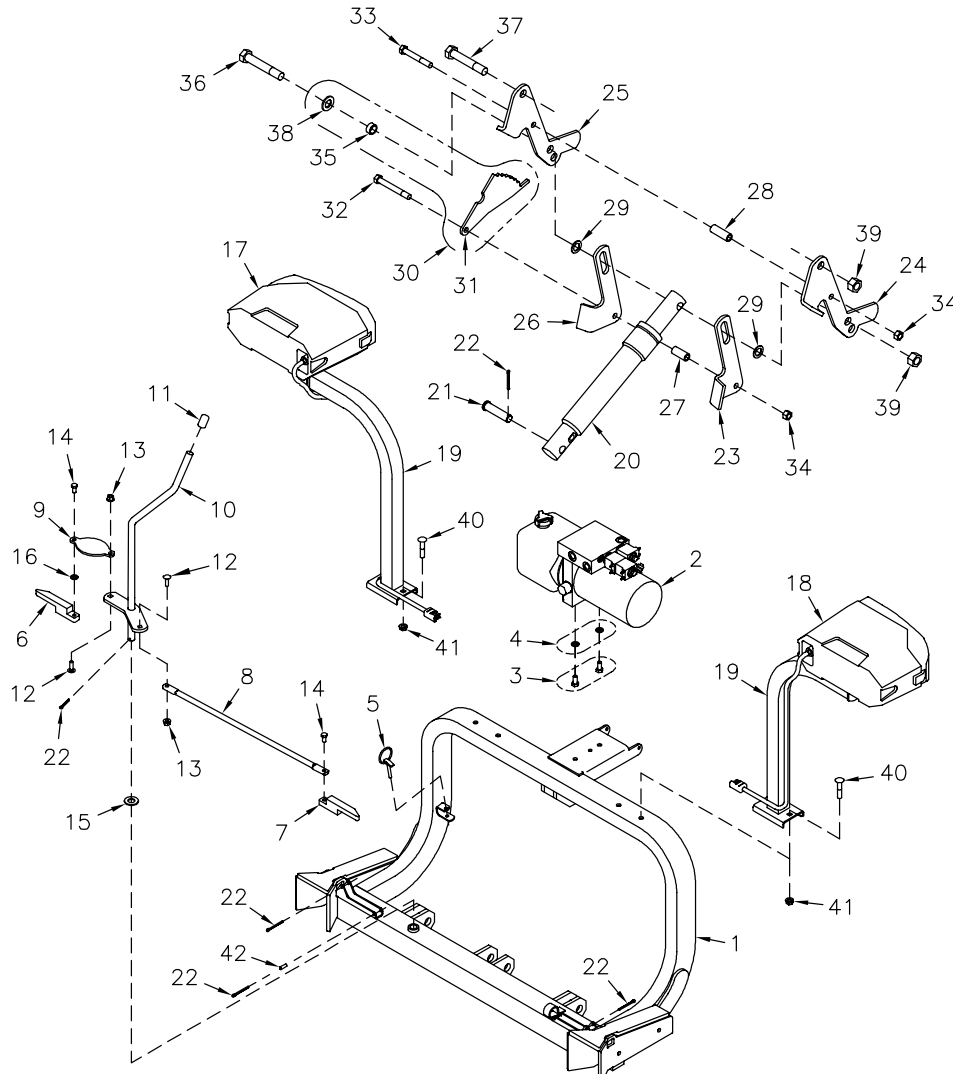


DWG. NO. 7347

REF. NO.	PART NUMBER	DESCRIPTION	QTY.	REF. NO.	PART NUMBER	DESCRIPTION	QTY.
1	25012483	Push Frame Weldment/Decal Assembly	1	14	25012614	Drilled Bolt 3/4-10 x 5 Gr. 5	1
2	25010697	Caution Decal	1	15	034-00136	Slotted Nut 3/4-10	1
3	25010523	1 1/2 x 10 SA Cylinder (See Sec. 7 Pg. 9)	2	16	950-001-030	Hex Head Cap Screw 3/4-10 x 2 1/2 Gr. 5	2
4	25011050	Park Stand Kit	1	17	030-16198	Carriage Bolt 3/4-10 x 3 1/2 Gr. 5	2
5	25010800	Lever Weldment	1	18	951-005-037	Lock Nut 3/4-10 Inch 2-Way	4
6	25010801	Stand Foot	1	19	031-06219	Hex Head Cap Screw 1/2-13 x 6 Gr. 5	2
7	25010798	Bracket	1	20	10304	Lock Nut 1/2-13 2-Way	2
8	25010795	Helical Torsion Spring	1	21	950-001-106	Hex Head Cap Screw 3/8-16 x 1 1/4 Gr. 5	2
9	25010797	Tab Lock Pin, 1/4 x 2	1	22	950-001-105	Hex Head Cap Screw 3/8-16 x 1 Gr. 5	2
10	25011486	Parking Stand Spacer	1	23	951-005-003	Lock Nut 3/8-16 Mac Lock	4
11	953-002-032	Clevis Pin 3/4 x 3	2	24	950-003-074	Carriage Bolt 5/16-18 x 2 1/2 Gr. 5	1
12	035-42033	Cotter Pin 5/32 x 1 1/4	2	25	951-005-036	Lock Nut 5/16-18 Mac Lock	1
13	25011477	2 13/16" Long Bushing	2	26	953-001-008	Cotter Pin 3/16 x 1 3/4	1

SEC 7

LIFT FRAME ASSEMBLY



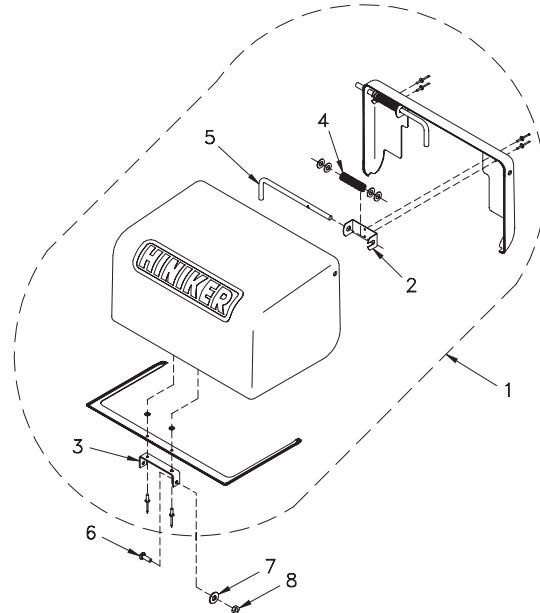
DWG. NO. 5734C

REF. NO.	PART NUMBER	DESCRIPTION	QTY.	REF. NO.	PART NUMBER	DESCRIPTION	QTY.
1	25013338	Frame Weldment	1	22	035-42033	Cotter Pin 5/32 x 1 1/4	5
2	25012649	Power Unit (See Sec. 7, P. 10)	1	23	25012396	RH Lower Link	1
3	950-001-089	Hex Head Cap Screw 3/8-16 x 3/4 Gr. 5	2	24	25012394	RH Upper Link	1
4	952-001-007	Lock Washer 3/8 Inch	2	25	25012393	LH Upper Link	1
5	703-00209	Klik Pin	1	26	25012395	LH Lower Link	1
6	25012959	LH Slider	1	27	25010114	Lower Link Spacer	1
7	25012960	RH Slider	1	28	25011048	Upper Link Spacer	1
8	25012961	Long Tie Rod	1	29	952-004-003	Machinery Bushing 25/32 x 1 1/4 x .075	2
9	25013157	Short Latch Link	1	30	25011986	Stop Plate Kit (Includes Lock Nut #39)	1
10	25012962	Latch Lever Weldment	1	31	25011984	Stop Plate	1
11	25011230	Vinyl Cap	1	32	950-001-301	Hex Head Cap Screw 1/2-13 x 4 1/4 Gr. 5	1
12	030-16042	Carriage Bolt 5/16-18 x 1 Gr. 5	2	33	950-001-142	Hex Head Cap Screw 1/2-13 x 3 1/2 Gr. 5	1
13	951-005-036	Lock Nut 5/16-18 Mac Lock	2	34	10304	Lock Nut 1/2-13, 2-Way	2
14	950-011-042	Hex Head Cap Screw 5/16-18 x 3/4 Nylon Dri-Lock	2	35	25011885	Bushing	1
15	952-003-003	SAE Flat Washer 5/8 Inch	1	36	950-001-311	Hex Head Cap Screw 3/4-10 x 4 1/2 Gr. 5, 1 1/4 Thd Lgth	1
16	033-12007	SAE Flat Washer 5/16 Inch	1	37	950-001-310	Hex Head Cap Screw 3/4-10 x 4 1/4 Gr. 5, 1 1/4 Thd Lgth	1
17	25013250	LH Headlight Assembly (See Sec. 7, P. 14)	1	38	033-12013	SAE Flat Washer 3/4 Inch	1
18	25013251	RH Headlight Assembly (See Sec. 7, P. 14)	1	39	951-005-037	Lock Nut 3/4-10, 2-Way	2
19	25011334	Light Bracket Weldment	2	40	950-003-070	Carriage Bolt 3/8-16 x 2 Gr. 5	4
20	25011581	1 1/2 x 9 Cylinder (See Sec. 7, P. 9)	1	41	951-005-003	Lock Nut 3/8-16 Mac Lock	4
21	953-002-032	Clevis Pin 3/4 x 3	1	42	30008816	Slotted Spring Pin 1/4 x 3/4	1

SEC 7

POLY SCOOP PLOW 6801-6901

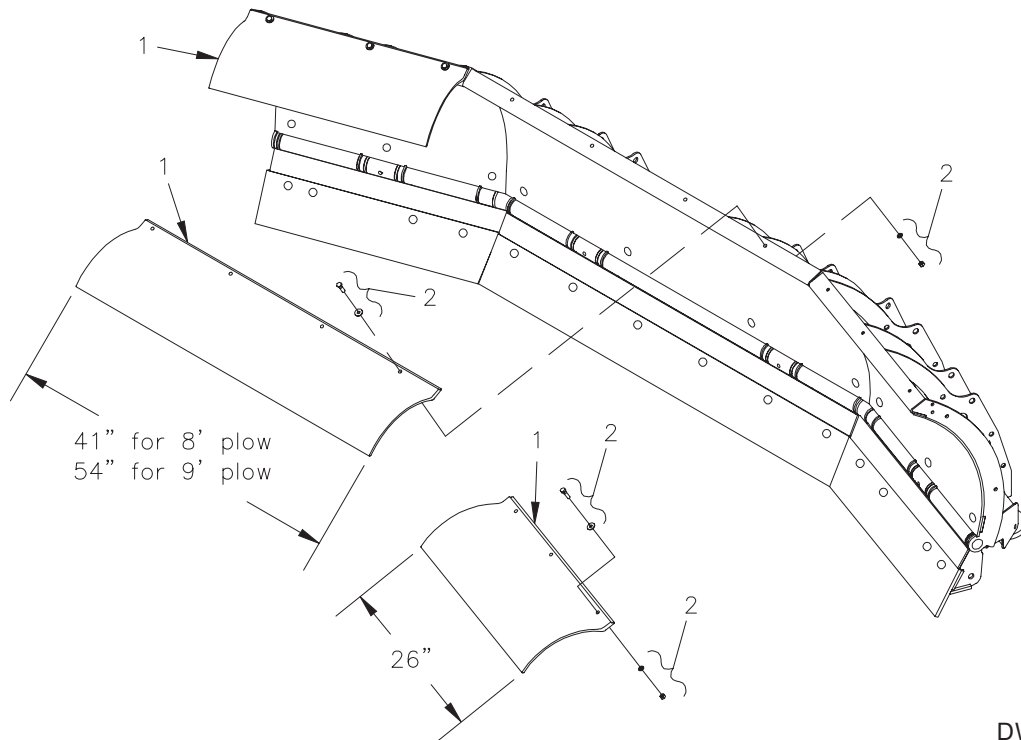
POWER UNIT COVER ASSEMBLY



DWG. NO. 5559

REF. NO.	PART NUMBER	DESCRIPTION	QTY.	REF. NO.	PART NUMBER	DESCRIPTION	QTY.
1	25011070	Cover Assembly (Includes Items 2-5)	1	5	25011071	Rod	2
2	25011073	Clevis	2	6	031-10657	Machine Screw 1/4-20 x 3/4 Slotted Round Head	2
3	25011072	Clevis	1	7	952-002-011	Flat Washer 1/4 Inch	2
4	25010717	Compression Spring	2	8	060954	Lock Nut 1/4-20 Nylon Insert	2

POLY SNOW DEFLECTOR KITS



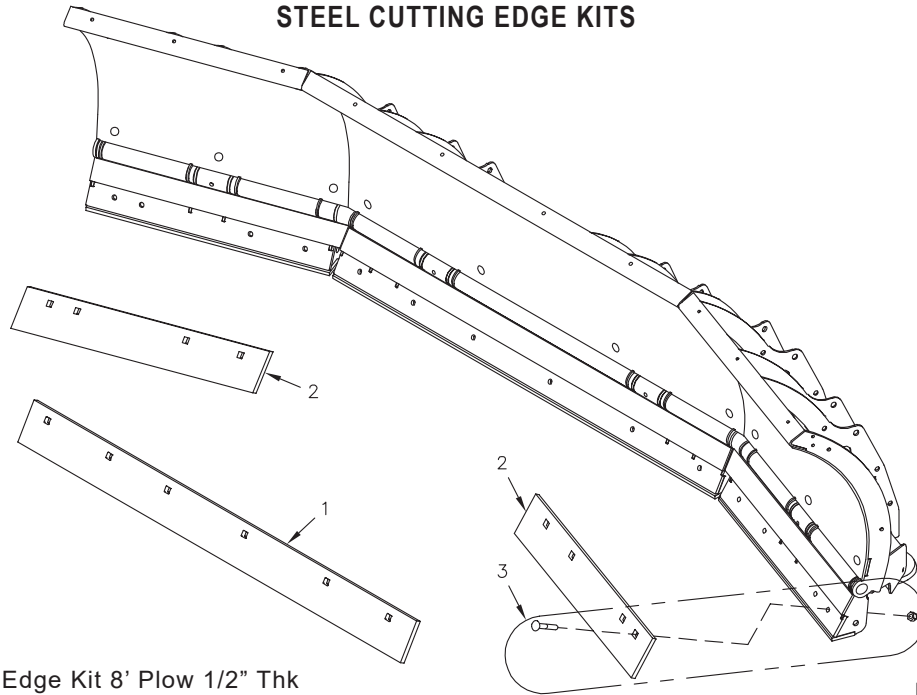
DWG. NO. 5681

REF. NO.	PART NUMBER	DESCRIPTION	QTY.	REF. NO.	PART NUMBER	DESCRIPTION	QTY.
1	25011789	Poly Snow Deflector Kit 8' Plow	1	2	25011793	Bolt Box, Snow Deflector (Included With Kits)	1
	25011983	Poly Snow Deflector Kit 9' Plow	1				

SECTION 7

POLY SCOOP PLOW 6801-6901

STEEL CUTTING EDGE KITS

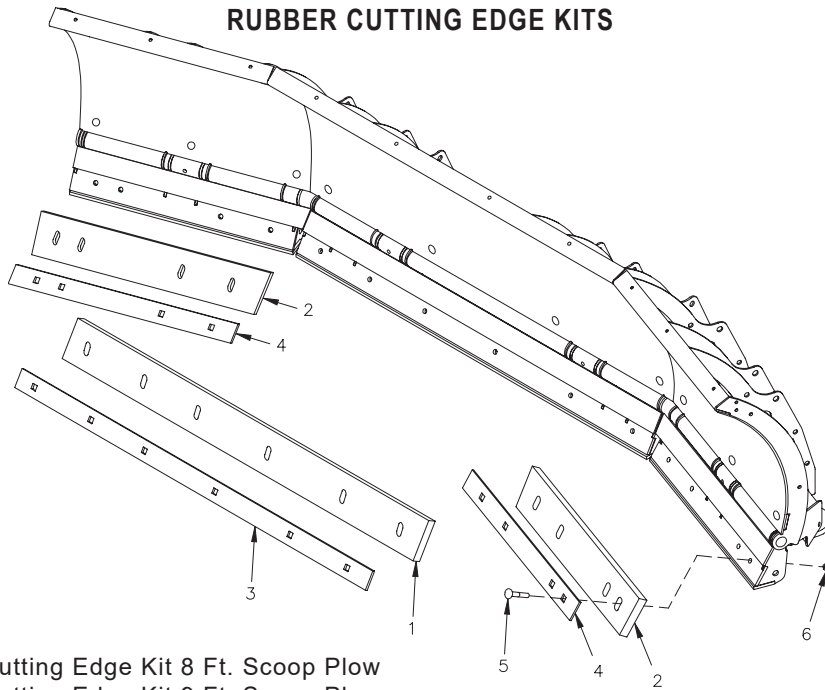


25013302 Cutting Edge Kit 8' Plow 1/2" Thk
 25013303 Cutting Edge Kit 9' Plow 1/2" Thk

DWG. NO. 5882B

REF. NO.	PART NUMBER	DESCRIPTION	QTY.	REF. NO.	PART NUMBER	DESCRIPTION	QTY.
1	25012028	Middle Cutting Edge 8' Plow 1/2" Thk	1	2	25012030	End Cutting Edge 1/2" Thk	2
	25012032	Middle Cutting Edge 9' Plow 1/2" Thk	1	3	25011578	Cutting Edge Bolt Kit	1

RUBBER CUTTING EDGE KITS



25011776 Rubber Cutting Edge Kit 8 Ft. Scoop Plow
 25011782 Rubber Cutting Edge Kit 9 Ft. Scoop Plow

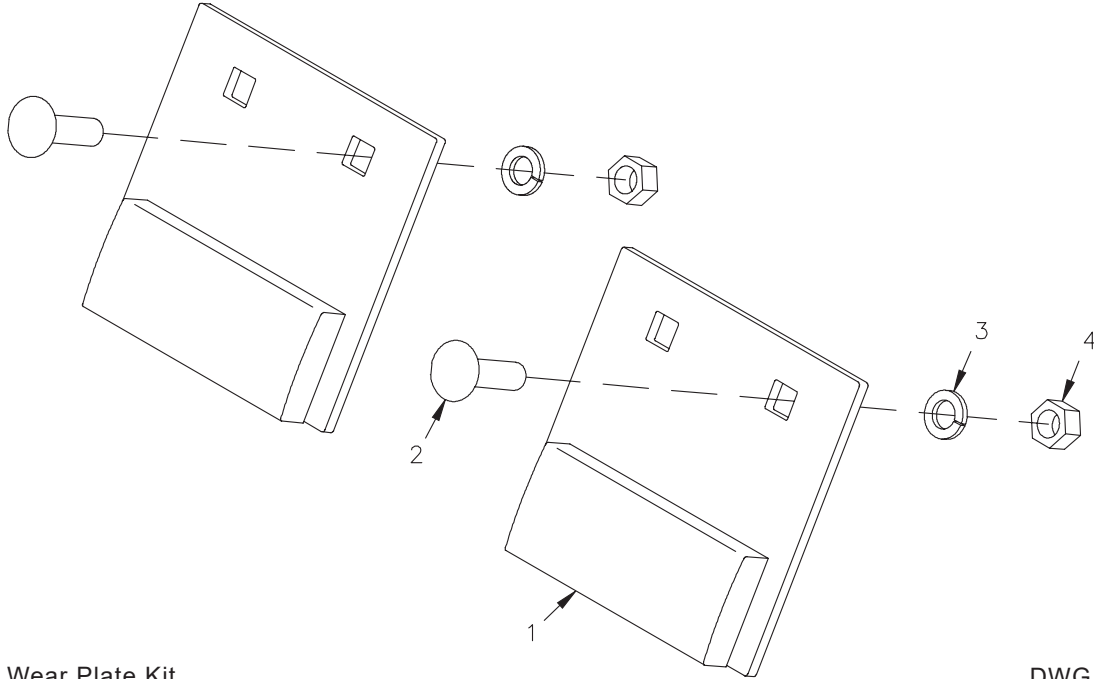
DWG. NO. 5736

REF. NO.	PART NUMBER	DESCRIPTION	QTY.	REF. NO.	PART NUMBER	DESCRIPTION	QTY.
1	25011783	Rubber Cutting Edge 9 Ft. Middle	1	4	25011781	Strap Scoop End	2
	25011777	Rubber Cutting Edge 8 Ft. Middle	1	5	030-16136	Carriage Bolt 1/2-13 x 2 1/2 Gr. 5	A/R
2	25011778	Rubber Cutting Edge Scoop End	2	6	951-003-009	Hex Nut 1/2 Nylon Insert #5	A/R
3	25011785	Strap 9 Ft. Scoop Middle	1				
	25011780	Strap 8 Ft. Scoop Middle	1				

SEC 7

POLY SCOOP PLOW 6801-6901

WEAR PLATE KIT

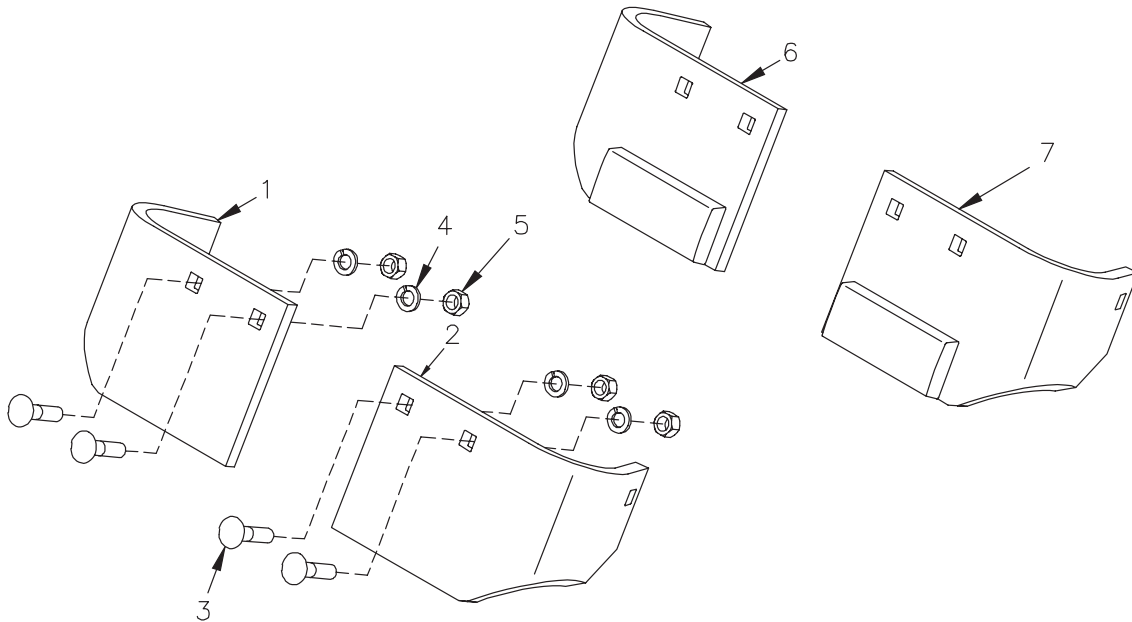


25012587 Wear Plate Kit

DWG. NO. 6331

REF. NO.	PART NUMBER	DESCRIPTION	QTY.	REF. NO.	PART NUMBER	DESCRIPTION	QTY.
1	25012588	Wear Plate Weldment	2	3	952-001-004	Lock Washer 1/2 Inch	4
2	950-003-058	Carriage Bolt 1/2-13 x 1 3/4 Gr. 5	4	4	951-001-007	Hex Nut 1/2-13	4

CURB GUARD KITS



25011695 Curb Guard Kit - Standard

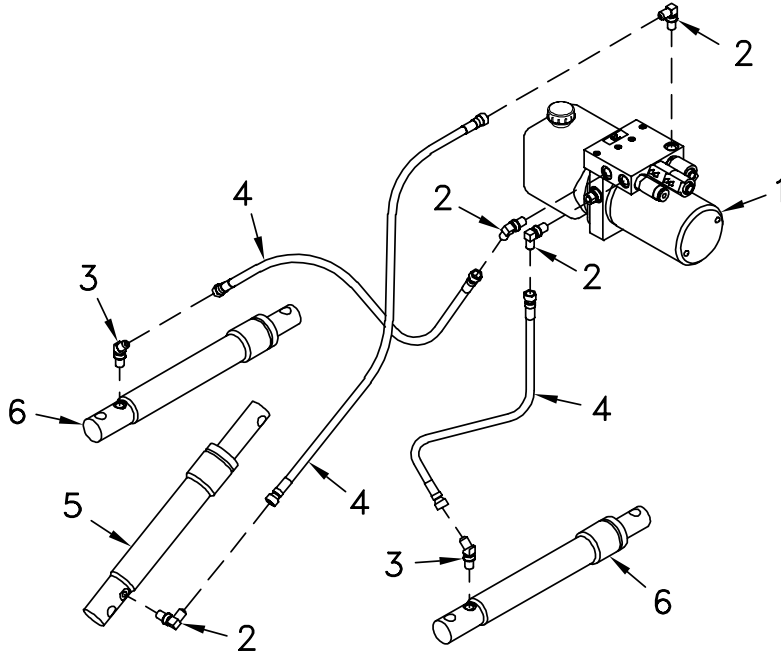
25012726 Curb Guard Kit With Wear Bars

DWG. NO. 5486

REF. NO.	PART NUMBER	DESCRIPTION	QTY.	REF. NO.	PART NUMBER	DESCRIPTION	QTY.
1	25011712	RH Curb Guard - Standard	1	5	951-001-007	Hex Nut 1/2-13	4
2	25011713	LH Curb Guard - Standard	1	6	25012722	RH Curb Guard With Wear Bar	1
3	950-003-051	Carriage Bolt 1/2-13 x 2 1/4 Gr. 5	4	7	25012723	LH Curb Guard With Wear Bar	1
4	952-001-004	Lock Washer 1/2 Inch	4				

SECTION 7

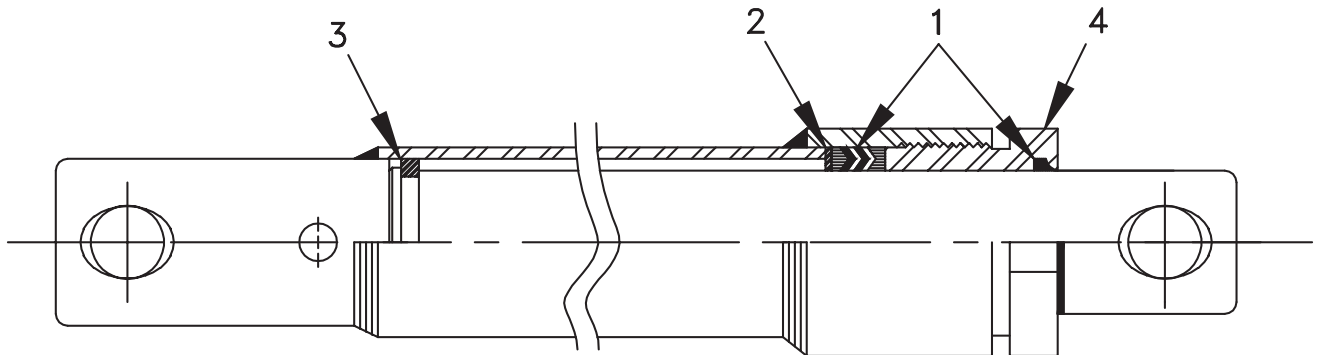
HYDRAULIC OVERVIEW



DWG. NO. 3460

REF. NO.	PART NUMBER	DESCRIPTION	QTY.	REF. NO.	PART NUMBER	DESCRIPTION	QTY.
1	25012649	Power Unit (See Sec. 7, P. 10)	1	4	957-010-005	Hydraulic Hose Assembly 1/4 x 32"	3
2	956-005-022	90° Adapter 9/16 ORB x 9/16 JIC	4	5	25011581	1 1/2 x 9 Cylinder (See Sec. 7, P. 9)	1
3	956-005-023	45° Adapter 9/16 ORB x 9/16 JIC	2	6	25010523	1 1/2 x 10 Cylinder (See Sec. 7, P. 9)	2

HYDRAULIC CYLINDERS



SEC 7

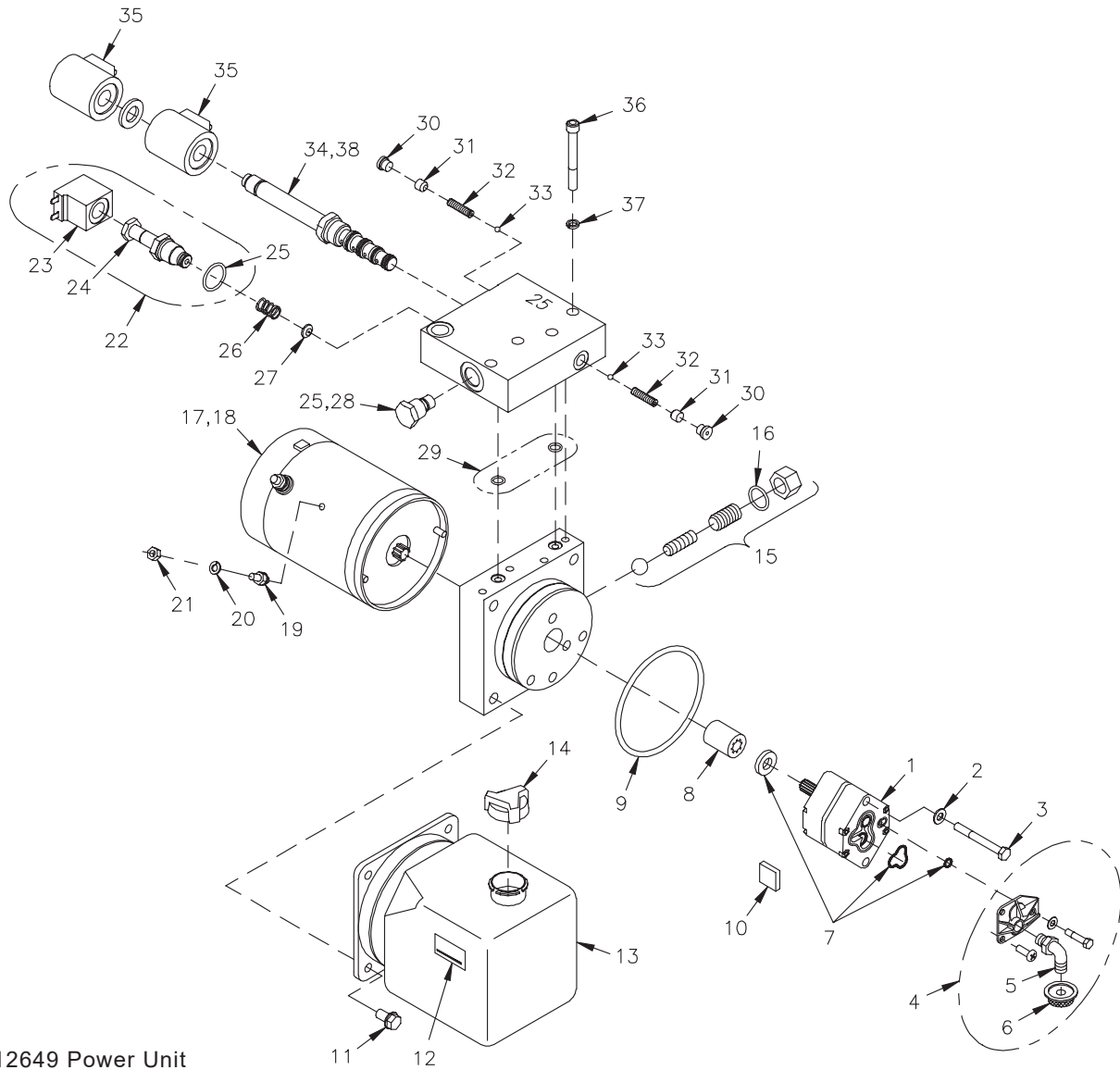
25010523 1 1/2 x 10 Cylinder
 25011581 1 1/2 x 9 Cylinder

DWG. NO. 3706

REF. NO.	PART NUMBER	DESCRIPTION	QTY.	REF. NO.	PART NUMBER	DESCRIPTION	QTY.
1	25010464	Seal Kit	1	3	25010017	Guide Ring	1
2	25010016	Seat Ring	1	4	25010018	Packing Nut	1

POLY SCOOP PLOW 6801-6901

POWER UNIT - SPX MODEL DB-7929-2



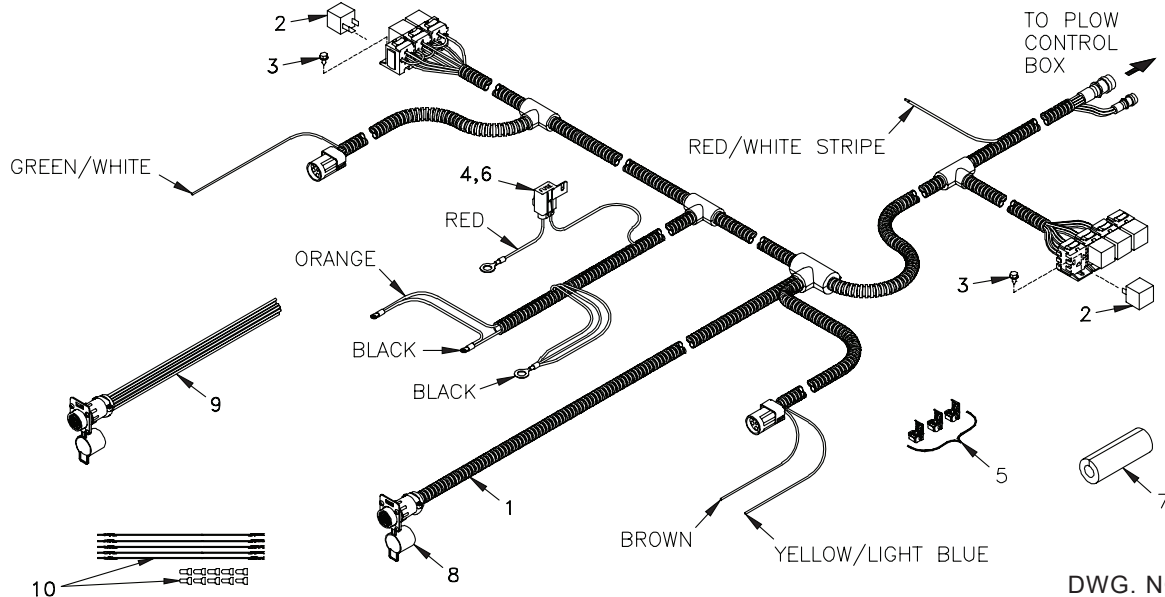
25012649 Power Unit
Model No. DB-7929-2

DWG.NO. 6527

REF. NO.	PART NUMBER	DESCRIPTION	QTY.	REF. NO.	PART NUMBER	DESCRIPTION	QTY.
1	25011706	Pump Assembly	1	20	952-001-001	Lock Washer 1/4 Inch	1
2	033-12007	SAE Flat Washer, 5/16 Inch	2	21	951-001-003	Hex Nut 1/4-20	1
3	950-001-327	Hex Head Cap Screw 5/16-24 x 3 Gr. 8	2	22	25011654	Release Valve Kit, Double Spade Coil	1
4	25010332	Inlet Plumbing Kit	1	23	25011667	Solenoid Coil 10V DC	1
5	25010244	Plumbing Elbow	1	24	25010544	Cartridge Release Valve	1
6	25010221	Filter	1	25	25010992	O-Ring Kit	1
7	25010334	Pump O-Ring Kit	1	26	25012674	Spring	1
8	25010214	Coupling	1	27	25012677	Return Orifice	1
9	25010236	O-Ring	1	28	25010746	Check Valve	1
10	25010220	Plumbing Magnet	1	29	25013881	Manifold O-Ring Kit	1
11	950-004-071	Machine Screw #12-24 x 1/2 - Hex Washer Head	4	30	25012686	ORB Plug	2
12	25010436	Decal - Fill Line	1	31	25012685	Set Screw 3/8-24 x .38 Selflock	2
13	25010240	Plastic Tank	1	32	25012684	Spring	2
14	25010217	Plastic Breather	1	33	25012683	Ball .25 Dia. Steel	2
15	25010330	Adjustable Relief Valve Kit	1	34	25012688	Directional Valve	1
16	25010518	Adjustable Relief Valve O-Ring	1	35	25012687	Solenoid Coil 10V DC	2
17	25010230	Motor 12V DC	1	36	950-004-115	Socket Head Cap Screw W/Thread Lock 1/4-20 x 1 3/4	4
18	25010337	Motor Brush Kit	1	37	952-004-080	Lock Washer 1/4 x .363 O.D.	4
19	25012673	Ground Stud	1	38	25013107	Seal Kit	1

POLY SCOOP PLOW 6801-6901

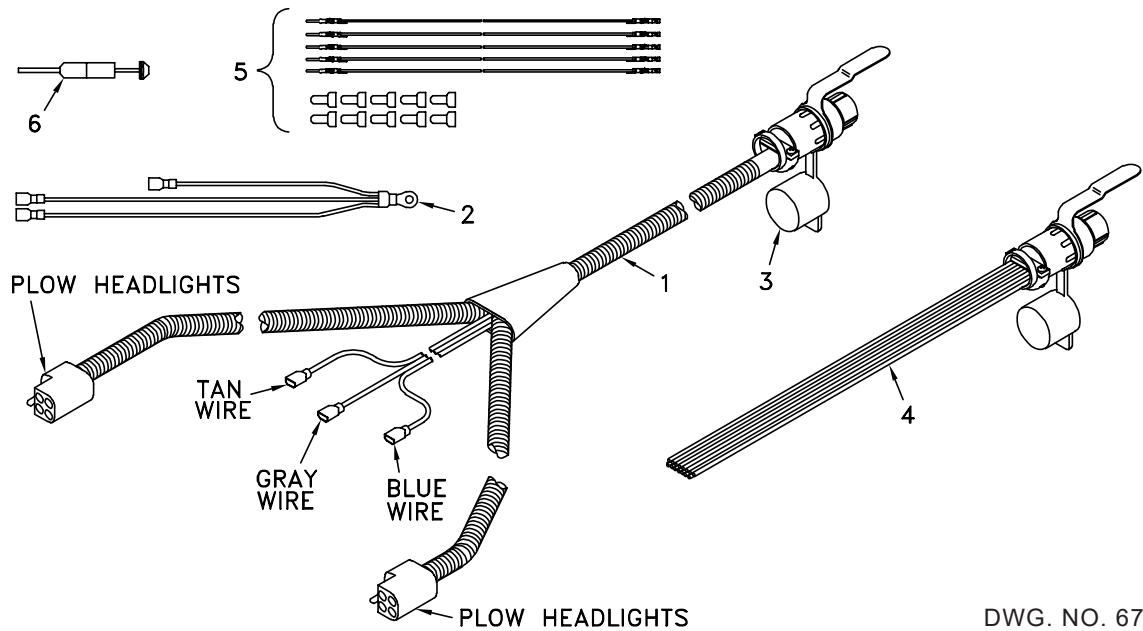
UNDERHOOD WIRING HARNESS



DWG. NO. 6743

REF. NO.	PART NUMBER	DESCRIPTION	QTY.	REF. NO.	PART NUMBER	DESCRIPTION	QTY.
1	38813097	Underhood Harness With 16 Pin CPC (Includes Relays And Fuse)	1	6	38400012	Cover, Fuse Holder	1
2	38350010	Headlight/Accessory Relay	7	7	39107001	Foam Grommet 4" Long	1
3	031-30078	S-Tap Screw #8-18 x 1/2 Slotted Hex Head	4	8	36716043	Dust Cap	1
4	39207031	10 Amp Fuse	1	9	38813106	Repair Pigtail, AMP CPC	A/R
5	38610104	Sealed Quick Connect	3	10	38813108	Repair Kit, AMP CPC (5 Wires)	A/R

PLOW WIRING HARNESS- COMPOSITE HEADLAMPS



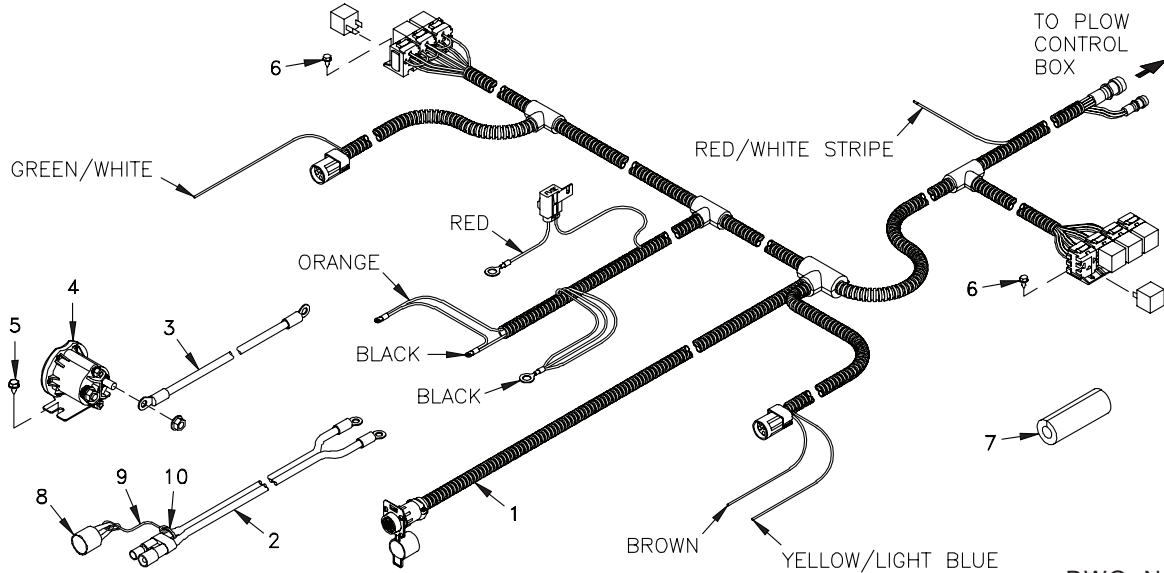
DWG. NO. 6746A

REF. NO.	PART NUMBER	DESCRIPTION	QTY.	REF. NO.	PART NUMBER	DESCRIPTION	QTY.
1	38813099	4 Function External Harness W/CPC Connector	1	4	38813107	Repair Pigtail, AMP CPC Plow	A/R
2	38813094	Ground Harness 1/4" Ring	1	5	38813108	Repair Kit, AMP CPC (5 Wires)	A/R
	38813160	Ground Harness 5/16" Ring	1	6	38640000	Pin/ Socket Extraction Tool	1
3	36716042	Dust Cap	1				

SEC 7

POLY SCOOP PLOW 6801-6901

UNDERHOOD WIRING REMOUNT KIT W/CPC

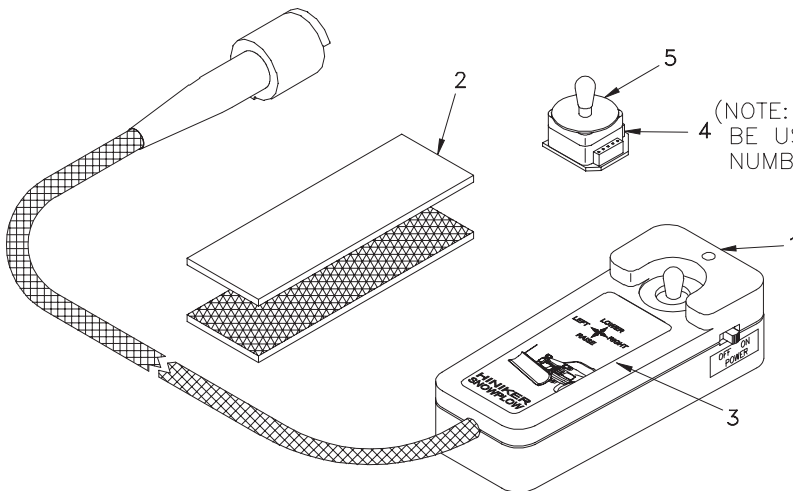


25013295 Remount Kit

DWG. NO. 6993

REF. NO.	PART NUMBER	DESCRIPTION	QTY.	REF. NO.	PART NUMBER	DESCRIPTION	QTY.
1	38813097	Underhood Harness W/16 Pin CPC	1	6	031-30078	Self Tapping Screw #8-18 x 1/2 Slotted Hex Head	4
2	38813066	Cable Battery Power 9 Ft	1	7	39107001	Foam Grommet	1
3	38813012	Cable, Solenoid 24"	1	8	36716002	Dust Cap	1
4	38350015	Motor Solenoid	1	9	36716025	Nylon Lanyard 8"	1
5	950-005-004	Self Tapping Screw 1/4-20 x 1/2 Hex Washer Head	2	10	367-001-014	Cable Tie 8"	1

JOYSTICK CONTROLLER



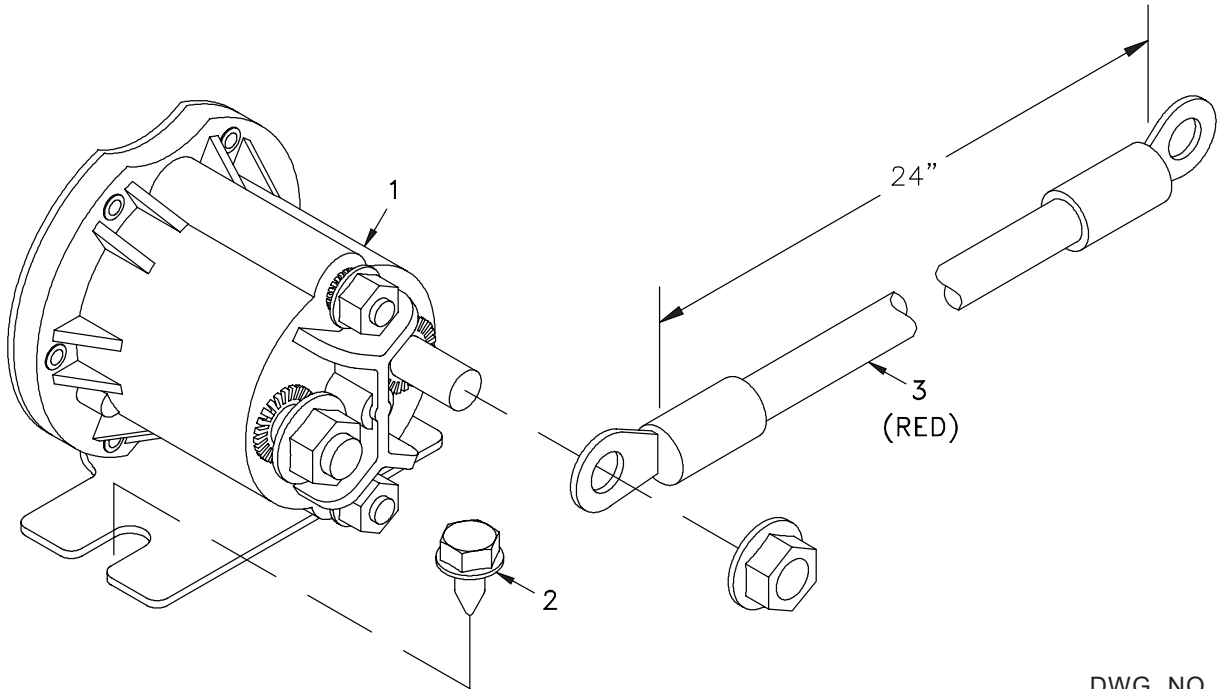
DWG. NO. 5925

REF. NO.	PART NUMBER	DESCRIPTION	QTY.	REF. NO.	PART NUMBER	DESCRIPTION	QTY.
1	36014020	Joystick Straight W/Replaceable Switch	1	4	36014019	Replaceable Switch Assembly	1
2	39108005	Hook & Loop Assembly	1	5	36716033	Gasket	1
3	39302141	Decal, Straight Plow Joystick, 2 Sided	1				

SEC 7

POLY SCOOP PLOW 6801-6901

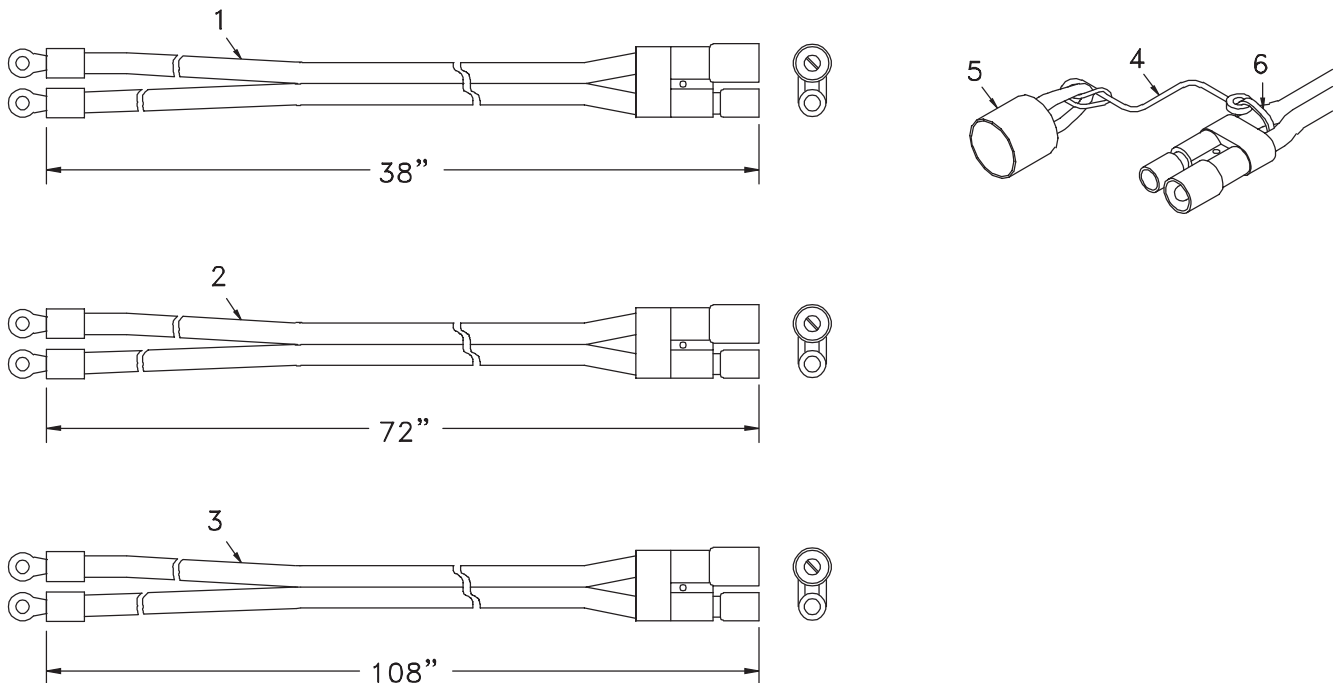
MOTOR SOLENOID



DWG. NO. 6559

REF. NO.	PART NUMBER	DESCRIPTION	QTY.	REF. NO.	PART NUMBER	DESCRIPTION	QTY.
1	38350015	Motor Solenoid, Sealed	1	3	38813012	Solenoid Cable, Red 4 Ga. 24 Inch	1
2	950-005-004	Self Tapping Screw 1/4-20 x 1/2 Hex Washer Head	2				

POWER CABLES AND DUST CAPS

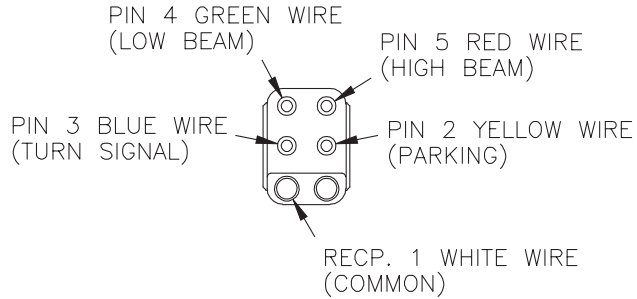
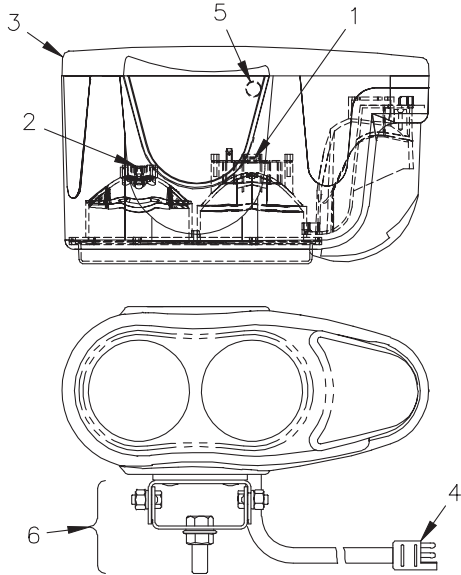


DWG. NO. 6744

REF. NO.	PART NUMBER	DESCRIPTION	QTY.	REF. NO.	PART NUMBER	DESCRIPTION	QTY.
1	38812008	Battery Power Cable - Snow Plow	1	4	36716025	Nylon Lanyard 8"	A/R
2	38813007	Battery Power Cable - Truck 6 Ft.	1	5	36716002	Large Dust Cap	A/R
3	38813066	Battery Power Cable - Truck 9 Ft.	1	6	367-001-014	Cable Tie 8"	A/R

SEC 7

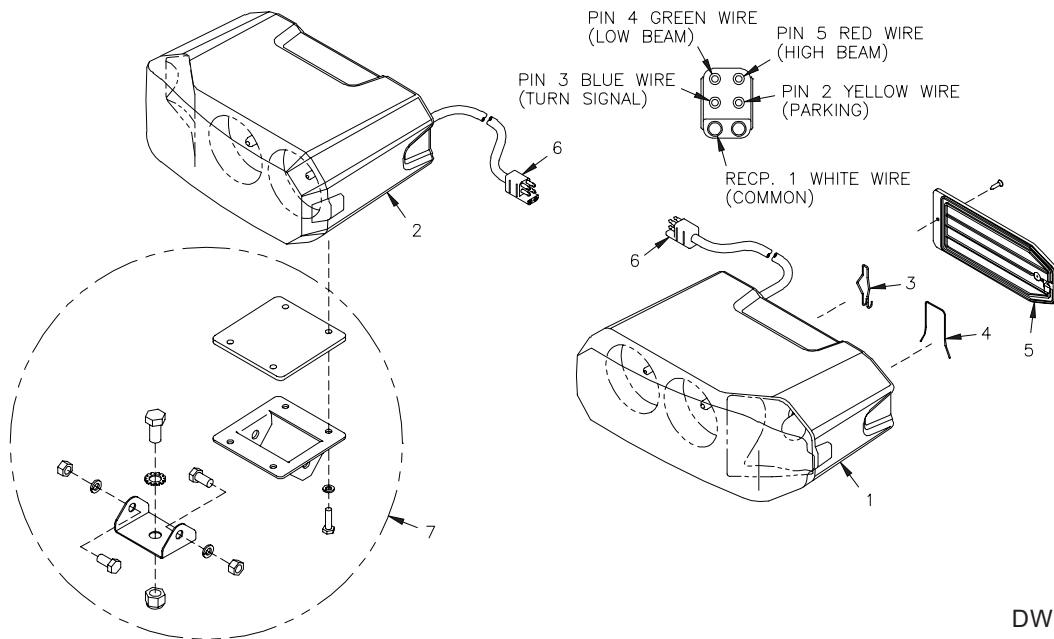
COMPOSITE HEADLAMPS



DWG. NO. 6628A

REF. NO.	PART NUMBER	DESCRIPTION	QTY.	REF. NO.	PART NUMBER	DESCRIPTION	QTY.
	25012793	LH Light Assembly	1	5	25012417	Conduit Clamp	1
	25012792	RH Light Assembly	1	6	25012850	Hardware Kit - Upper & Lower (For 2 Lights)	1
1	25012416	Spring Clip, High Beam	1		N/A	High Beam Headlight Bulb - One #H1 12V, 55W	1
2	25012415	Spring Clip, Low Beam	1		N/A	Low Beam Headlight Bulb - One #H7 12V, 55W	1
3	25012414	Back Panel, LH Light	1		N/A	Turn Signal/Parking Bulb - One #1157 Heavy Duty Double Contact 32/3 C.P.	1
	25012419	Back Panel, RH Light	1				
4	25012418	Wire Harness	1				

COMPOSITE HEADLAMPS



DWG. NO. 6899

REF. NO.	PART NUMBER	DESCRIPTION	QTY.	REF. NO.	PART NUMBER	DESCRIPTION	QTY.
1	25013250	LH Light Assembly	1	7	25013249	Hardware Kit-Upper & Lower (For 2 Lights)	1
2	25013251	RH Light Assembly	1		N/A	High Beam Headlight Bulb-One #H1 12V, 55W	1
3	25012416	Spring Clip, High Beam	1		N/A	Low Beam Headlight Bulb-One #H7 12V, 55W	1
4	25012415	Spring Clip, Low Beam	1		N/A	Turn Signal/Parking Bulb-One #1157 Heavy Duty Double Contact 32/3 C.P.	1
5	25013247	Back Panel	1				
6	25013248	Wire Harness	1				

SECTION 7