

SECTION 2

V-PLOW

MODELS: 9385/9395, 9485/9495

PLOW COMPONENTS

- PAGE 2 MOLDBOARD ASSEMBLIES**
- PAGE 3 CUTTING EDGES**
- PAGE 4 PUSH FRAME ASSEMBLY**
- PAGE 5 LIFT FRAME ASSEMBLY**
- PAGE 6 WEAR PLATE KITS
CURB GUARD KITS**
- PAGE 7 RUBBER SNOW DEFLECTOR KITS
POLY SNOW DEFLECTOR KITS**
- PAGE 8 SKID SHOE ASSEMBLY
POWER UNIT COVER ASSEMBLY**
- PAGE 9 BOX END WINGS**

HYDRAULIC COMPONENTS

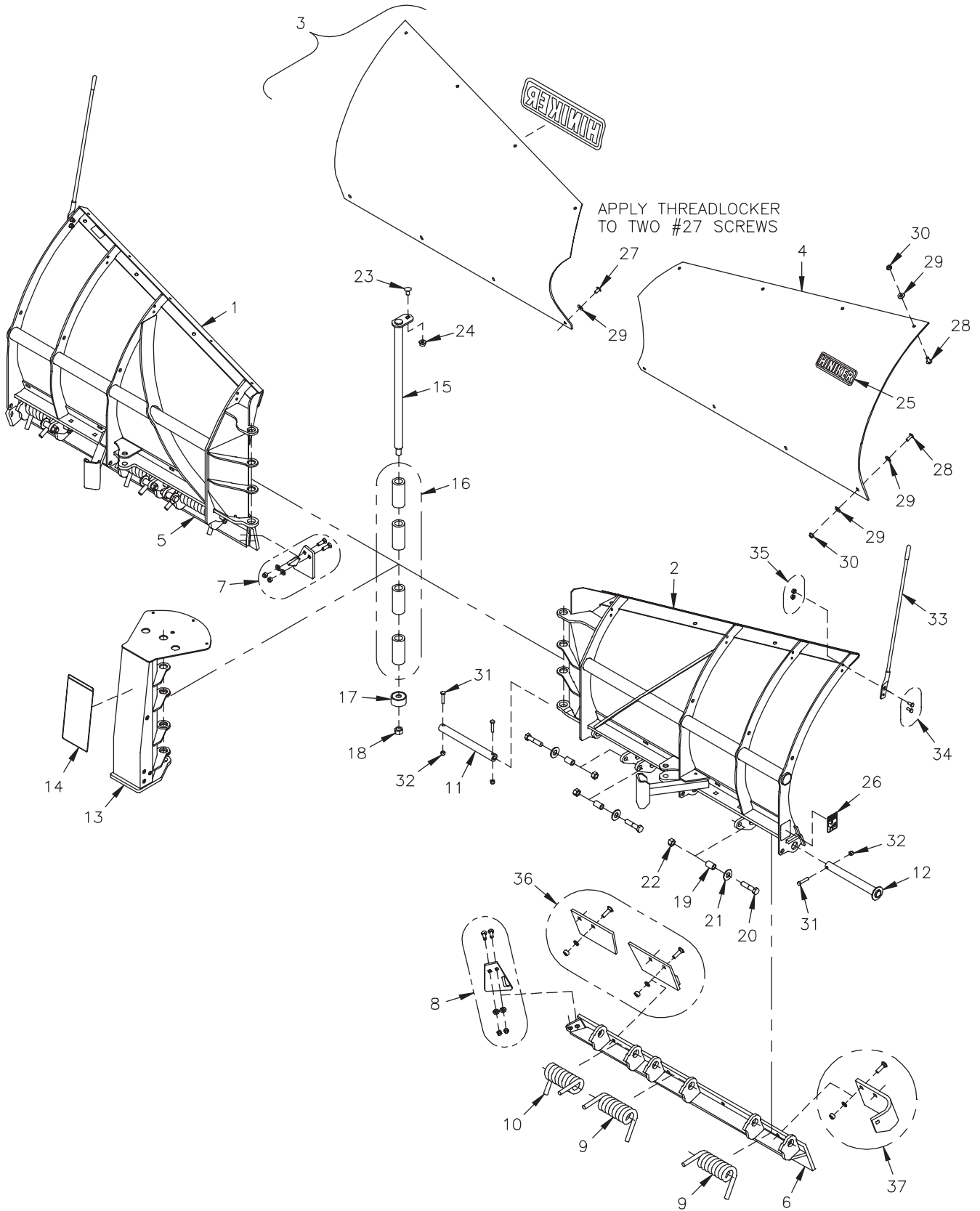
- PAGE 9 HYDRAULIC OVERVIEW**
- PAGE 10 POWER UNIT - KTI MODEL DC-45274RA**
- PAGE 11 POWER UNIT - SPX MODEL DB-5245-1**
- PAGE 12 ANGLE CYLINDER
LIFT CYLINDER**

ELECTRICAL COMPONENTS

- PAGE 13 PLOW WIRING HARNESS - LED HEADLAMPS
PLOW WIRING HARNESS - COMPOSITE HEADLAMPS**
- PAGE 14 UNDERHOOD WIRING HARNESS
UNDERHOOD WIRING REMOUNT KIT W/CPC**
- PAGE 15 POWER CABLES AND DUST CAPS
JOYSTICK CONTROLLER**
- PAGE 16 LED HEADLAMPS
COMPOSITE HEADLAMPS**

MOLDBOARD ASSEMBLIES

SEC 2



25013882 Moldboard Assembly 8 1/2' Plow
25013883 Moldboard Assembly 9 1/2' Plow

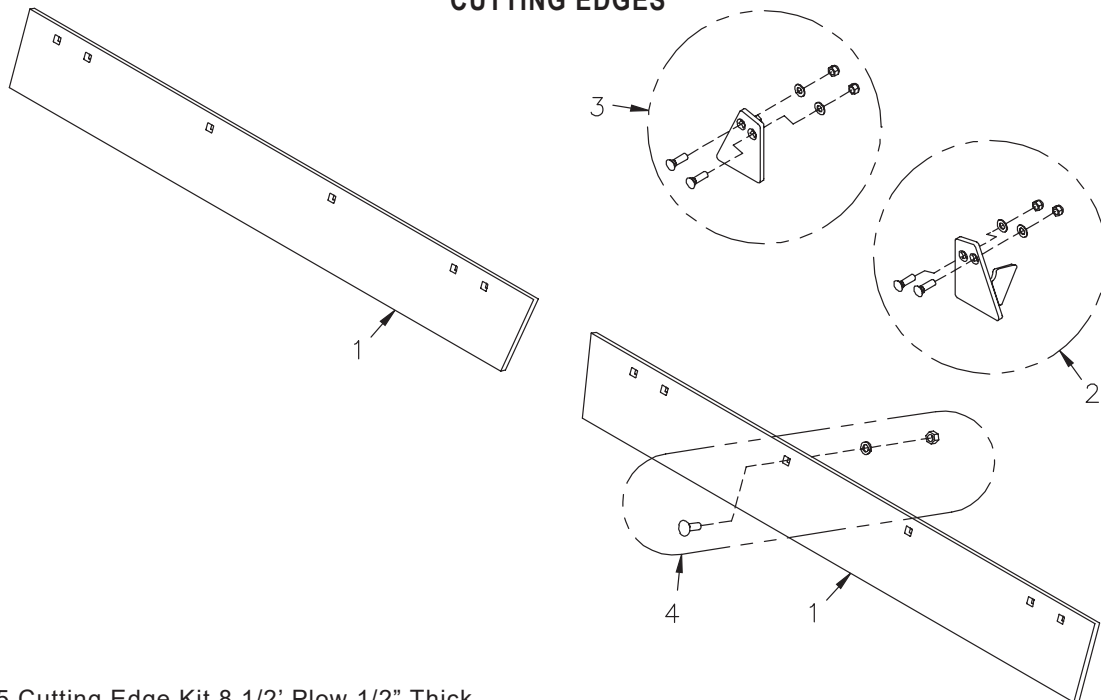
DWG. NO. 7297C

V-PLOW 9385/9395, 9485/9495

2

REF. NO.	PART NUMBER	DESCRIPTION	QTY.	REF. NO.	PART NUMBER	DESCRIPTION	QTY.
1	25013886	LH Wing Frame Weldment 8 1/2' Plow	1	17	25012303	Washer Weldment	1
	25013899	LH Wing Frame Weldment 9 1/2' Plow	1	18	951-005-037	Lock Nut 3/4-10 2-Way	1
2	25013885	RH Wing Frame Weldment 8 1/2' Plow	1	19	25013406	Bushing	6
	25013898	RH Wing Frame Weldment 9 1/2' Plow	1	20	031-06308	Hex Head Cap Screw 5/8-11 x 2 3/4 Gr. 5	6
3	25013475	Poly Blank/Logo Decal Assembly 8 1/2' Plow	1	21	952-002-007	Flat Washer 5/8 Inch	6
	25013476	Poly Blank/Logo Decal Assembly 9 1/2' Plow	1	22	951-005-044	Lock Nut 5/8-11, 2-Way	6
4	25013415	Moldboard Blank 8 1/2' Plow	1	23	030-16130	Carriage Bolt 1/2-13 x 1 Gr. 5	1
	25013400	Moldboard Blank 9 1/2' Plow	1	24	951-005-055	Lock Nut 1/2-13 Mac Lock	1
5	25013888	LH Trip Edge Weldment 8 1/2' Plow	1	25	25011684	Decal-Hiniker	1
	25013901	LH Trip Edge Weldment 9 1/2' Plow	1	26	25013529	Decal-Warning	2
6	25013887	RH Trip Edge Weldment 8 1/2' Plow	1	27	950-004-108	Machine Screw 3/8-16 x 3/4 Slotted Truss Head	2
	25013900	RH Trip Edge Weldment 9 1/2' Plow	1	28	700-11704	Machine Screw 3/8-16 x 1 Slotted Truss Head	14
7	25013932	LH Snow Catcher Assembly	1	29	952-002-013	Flat Washer 3/8 Inch Stainless Steel	22
8	25013933	RH Snow Catcher Assembly	1	30	951-005-003	Lock Nut 3/8-16 Mac Lock	14
9	25013404	Helical Torsion Spring LH Wound	3	31	950-001-092	Hex Head Cap Screw 3/8-16 x 1 3/4 Gr. 5	10
10	25013403	Helical Torsion Spring RH Wound	3	32	951-003-002	Lock Nut 3/8-16 Nylon Insert	10
11	25013405	Inner Trip Pin	4	33	25010118	Blade Guide	2
12	25013399	Outer Trip Pin Weldment	2	34	950-001-110	Hex Head Cap Screw 5/16-18 x 1 Gr. 5	4
13	25013889	Center Mast Weldment	1	35	951-005-036	Lock Nut 5/16-18 Mac Lock	4
14	25013502	Decal - Removal	1	36	25013895	V-Plow Wear Plate Kit (See Sec. 2, P. 6)	1
15	25013397	Hinge Pin Weldment	1	37	25012726	Curb Guard W/Wear Bars Kit (See Sec. 2, P. 6)	1
16	25013023	Bushing 4 3/8" Long	4				

CUTTING EDGES



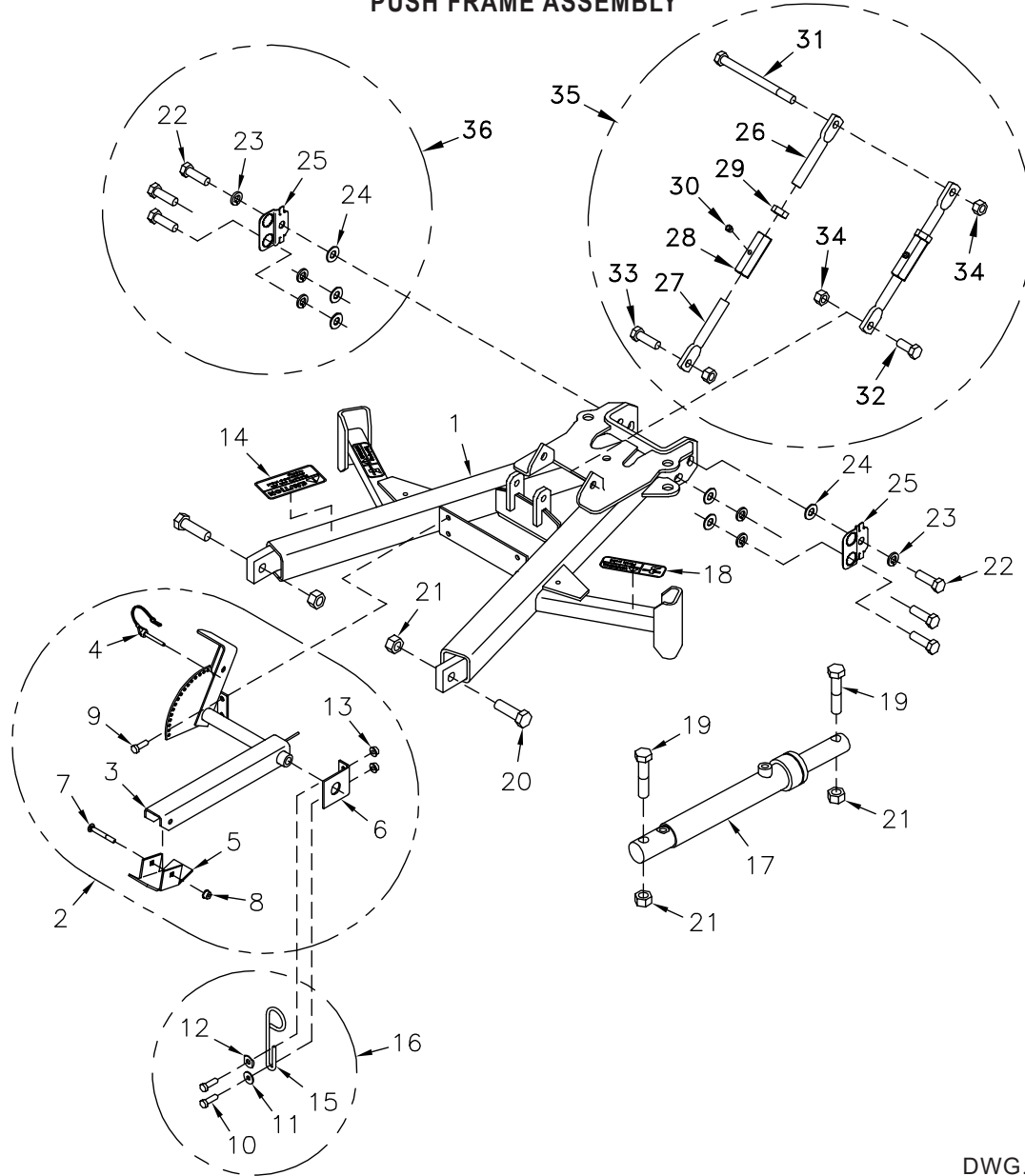
25013935 Cutting Edge Kit 8 1/2' Plow 1/2" Thick
 25013936 Cutting Edge Kit 9 1/2' Plow 1/2" Thick

DWG. NO. 7298B

REF. NO.	PART NUMBER	DESCRIPTION	QTY.	REF. NO.	PART NUMBER	DESCRIPTION	QTY.
1	25013934	Cutting Edge 8 1/2' Plow 1/2" Thick	2	3	25013933	RH Snow Catcher Assembly	1
	25013937	Cutting Edge 9 1/2' Plow 1/2" Thick	2	4	25013516	Cutting Edge Bolt Kit	1
2	25013932	LH Snow Catcher Assembly					

PUSH FRAME ASSEMBLY

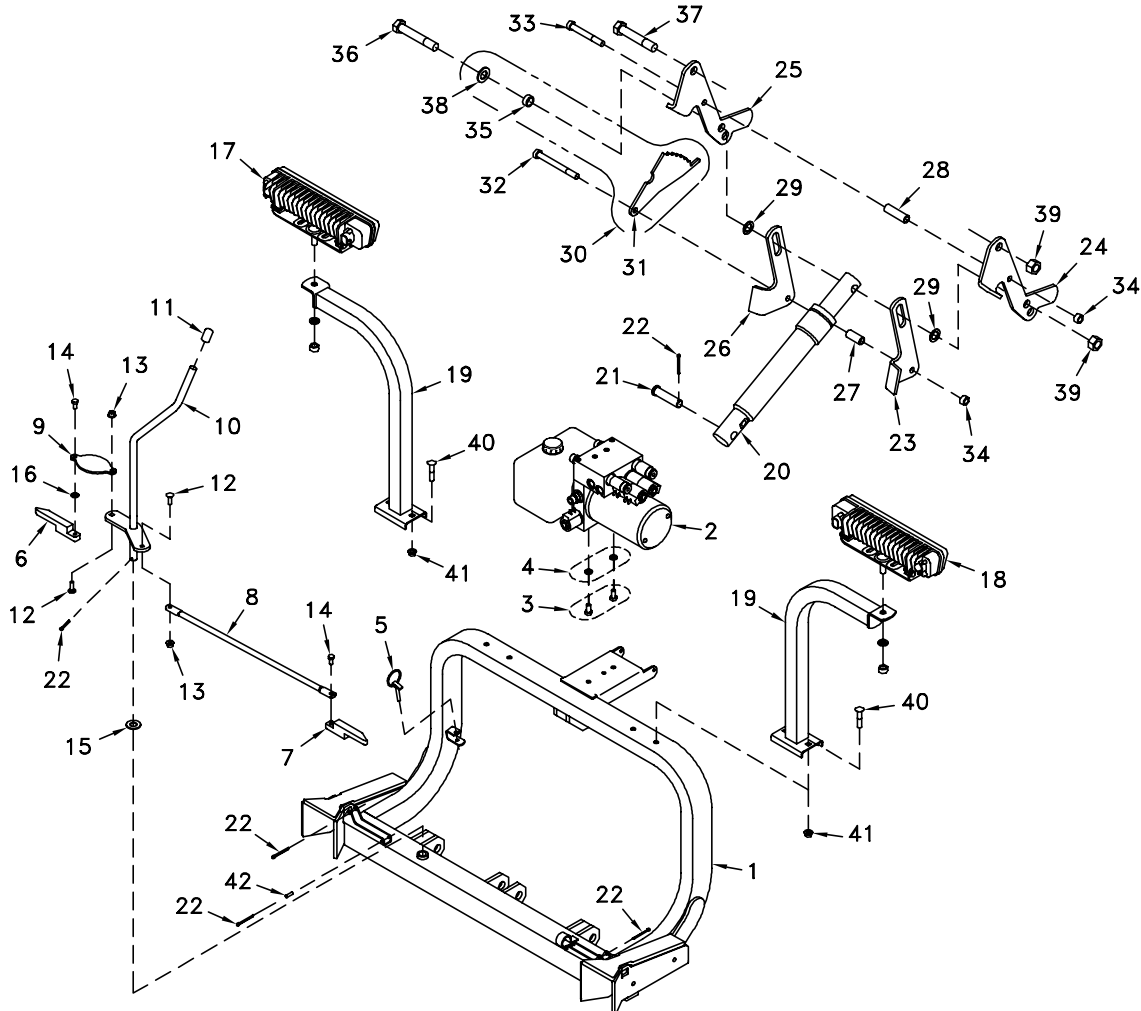
SEC 2



DWG. NO. 7634B

REF. NO.	PART NUMBER	DESCRIPTION	QTY.	REF. NO.	PART NUMBER	DESCRIPTION	QTY.
1	25013938	Push Frame/Decal Assembly	1	19	950-001-069	Hex Head Cap Screw 3/4-10 X 3 1/4 Gr. 5	4
2	25012293	Park Stand Kit	1	20	950-001-030	Hex Head Cap Screw 3/4-10 X 2 1/2 Gr. 5	2
3	25013348	Park Stand Weldment	1	21	951-005-037	Lock Nut 3/4-10, 2-Way	6
4	25010797	Tab Lock Pin	1	22	950-001-023	Hex Head Cap Screw 5/8-11 X 2 Gr. 5	6
5	25010801	Stand Foot	1	23	952-001-005	Lock Washer 5/8 Inch	6
6	25010798	Bracket	1	24	952-004-070	SAE Flat Washer 5/8 Inch, Hardened	6
7	950-003-074	Carriage Bolt 5/16-18 X 2 1/2 Gr. 5	1	25	25014041	Retaining Tab	2
8	951-005-036	Lock Nut 5/16-18 Mac	1	26	25014059	I-Bolt RH Thread	2
9	950-001-089	Hex Head Cap Screw 3/8-16 X 3/4 Gr. 5	2	27	25014058	I-Bolt LH Thread	2
10	950-001-106	Hex Head Cap Screw 3/8-16 X 1 1/4 Gr. 5	2	28	25014053	Sleeve Nut	2
11	952-002-003	Flat Washer, 3/8 Inch	1	29	951-005-052	Jam Nut 3/4-10	2
12	25011074	Flanged Washer, 3/8 Inch	1	30	955-001-001	Grease Fitting 1/8-27 NPT	2
13	951-005-003	Lock Nut 3/8-16 Mac	4	31	950-001-165	Hex Head Cap Screw 5/8-11 X 7 1/2 Gr. 5	1
14	25010697	Caution Decal	1	32	950-001-087	Hex Head Cap Screw 5/8-11 X 1 1/2 Gr. 5	1
15	25011075	Hose Loop	1	33	950-001-023	Hex Head Cap Screw 5/8-11 X 2 Gr. 5	1
16	25011076	Hose Loop Kit	1	34	951-005-044	Lock Nut 5/8-11 2-Way	3
17	25012046	1 3/4 X 10 Cylinder (See Sec. 2, P.12)	2	35	25014056	Adjustable Brace Kit 12" (Includes 2 Braces)	1
18	25012271	Warning Decal	2	36	25014040	Bolt Retainer Kit (Includes 2 Tabs)	1

LIFT FRAME ASSEMBLY

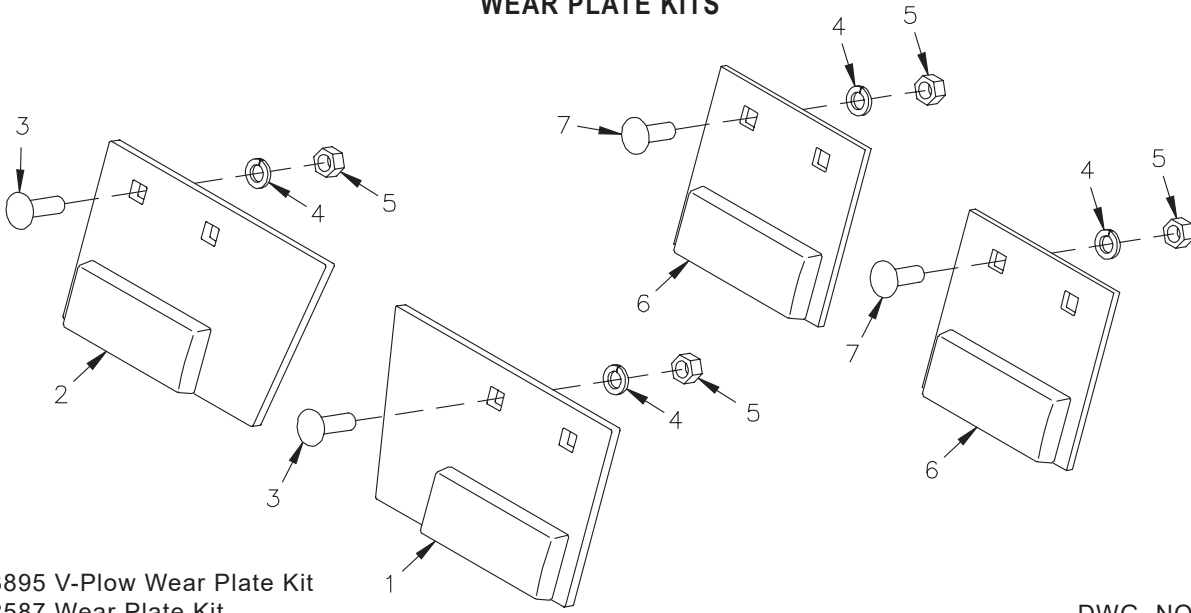


DWG. NO. 6742B

REF. NO.	PART NUMBER	DESCRIPTION	QTY.	REF. NO.	PART NUMBER	DESCRIPTION	QTY.
1	25013338	Frame Weldment	1	21	953-002-032	Clevis Pin 3/4 x 3	1
2	25014108	Power Unit - KTI (See Sec. 2, P. 10)	1	22	035-42033	Cotter Pin 5/32 x 1 1/4	5
	25012648	Power Unit - SPX (See Sec. 2, P. 11)	1	23	25012396	RH Lower Link	1
3	950-001-089	Hex Head Cap Screw 3/8-16 x 3/4 Gr. 5	2	24	25012394	RH Upper Link	1
4	952-001-007	Lock Washer 3/8 Inch	2	25	25012393	LH Upper Link	1
5	703-00209	Klik Pin	1	26	25012395	LH Lower Link	1
6	25012959	LH Slider	1	27	25010114	Lower Link Spacer	1
7	25012960	RH Slider	1	28	25010211	Upper Link Spacer	1
8	25012961	Long Tie Rod	1	29	952-004-003	Machinery Bushing 25/32 x 1 1/4 x .075	2
9	25013157	Short Latch Link	1	30	25011986	Stop Plate (Includes Lock Nut #39)	1
10	25012962	Latch Lever Weldment	1	31	25011984	Stop Plate	1
11	25011230	Vinyl Cap	1	32	950-001-301	Hex Head Cap Screw 1/2-13 x 4 1/4 Gr. 5	1
12	030-16042	Carriage Bolt 5/16-18 x 1" Gr. 5	2	33	950-001-124	Hex Head Cap Screw 1/2-13 x 4 Gr. 5	1
13	951-005-036	Lock Nut 5/16-18 MAC Lock	2	34	10304	Lock Nut 1/2-13, 2-Way	2
14	950-011-042	Hex Hd Cap Scr 5/16-18 x 3/4, Nylon Dri-Lock	2	35	25011885	Bushing	1
15	952-003-003	SAE Flat Washer 5/8 Inch	1	36	950-001-311	Hex Head Cap Screw 3/4-10 x 4 1/2 Gr. 5 1 1/4 Thd Lgth	1
16	033-12007	SAE Flat Washer 5/16 Inch	1	37	950-001-310	Hex Head Cap Screw 3/4-10 x 4 1/4 Gr. 5 1 1/4 Thd Lgth	1
17	25014164	LH LED Headlight (See Sec. 2, P. 16)	1	38	033-12013	SAE Flat Washer 3/4 Inch	1
	25013250	LH Composite Headlight (See Sec. 2, P. 16)	1	39	951-005-037	Lock Nut 3/4-10, 2-Way	2
18	25014165	RH LED Headlight (See Sec. 2, P. 16)	1	40	950-003-070	Carriage Bolt 3/8-16 x 2 Gr. 5	4
	25013251	RH Composite Headlight (See Sec. 2, P. 16)	1	41	951-005-003	Lock Nut 3/8-16 MAC Lock	4
19	25011334	Light Bracket Weldment	2	42	30008816	Slotted Spring Pin 1/4 x 3/4	1
20	25011402	1 3/4 x 9 Cylinder (See Sec. 2, P. 12)	1				

V-PLOW 9385/9395, 9485/9495

WEAR PLATE KITS

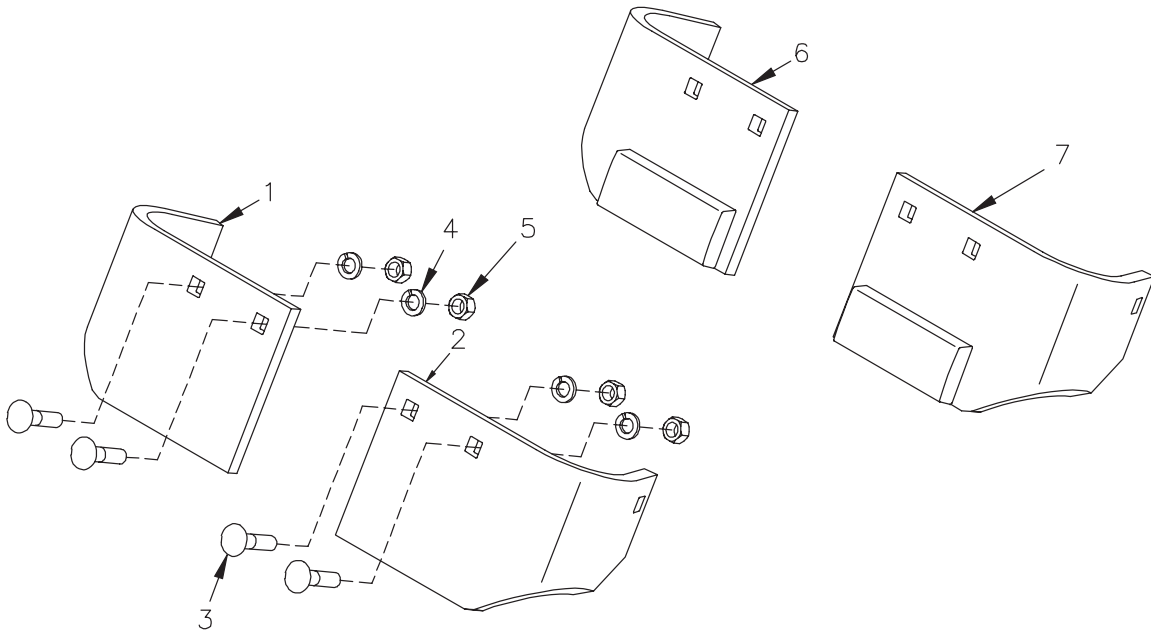


25013895 V-Plow Wear Plate Kit
25012587 Wear Plate Kit

DWG. NO. 7630

REF. NO.	PART NUMBER	DESCRIPTION	QTY.	REF. NO.	PART NUMBER	DESCRIPTION	QTY.
	25013895	V-Plow Wear Plate Kit (Items 1-5)	1	4	952-001-004	Lock Washer, 1/2 Inch	A/R
	25012587	Wear Plate Kit (Items 4-7)	1	5	951-001-007	Hex Nut 1/2-13	A/R
1	25013892	LH Wear Bar Weldment - V-Plow Kit	1	6	25012588	Wear Plate Weldment	2
2	25013893	RH Wear Bar Weldment - V-Plow Kit	1	7	950-003-058	Carriage Bolt 1/2-13 X 1 3/4 Gr. 5	A/R
3	950-003-025	Carriage Bolt 1/2-13 x 2 Gr. 5	A/R				

CURB GUARD KITS

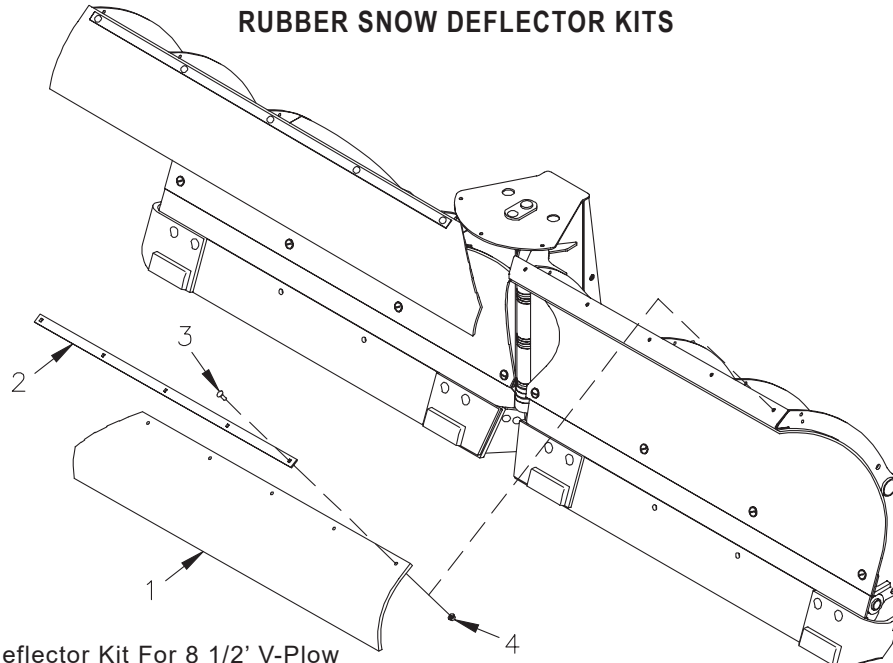


25011695 Curb Guard Kit - Standard
25012726 Curb Guard Kit With Wear Bars

DWG. NO. 5486

REF. NO.	PART NUMBER	DESCRIPTION	QTY.	REF. NO.	PART NUMBER	DESCRIPTION	QTY.
1	25011712	RH Curb Guard - Standard	1	5	951-001-007	Hex Nut 1/2-13	4
2	25011713	LH Curb Guard - Standard	1	6	25012722	RH Curb Guard With Wear Bar	1
3	950-003-051	Carriage Bolt 1/2-13 x 2 1/4 Gr. 5	4	7	25012723	LH Curb Guard With Wear Bar	1
4	952-001-004	Lock Washer 1/2 Inch	4				

RUBBER SNOW DEFLECTOR KITS

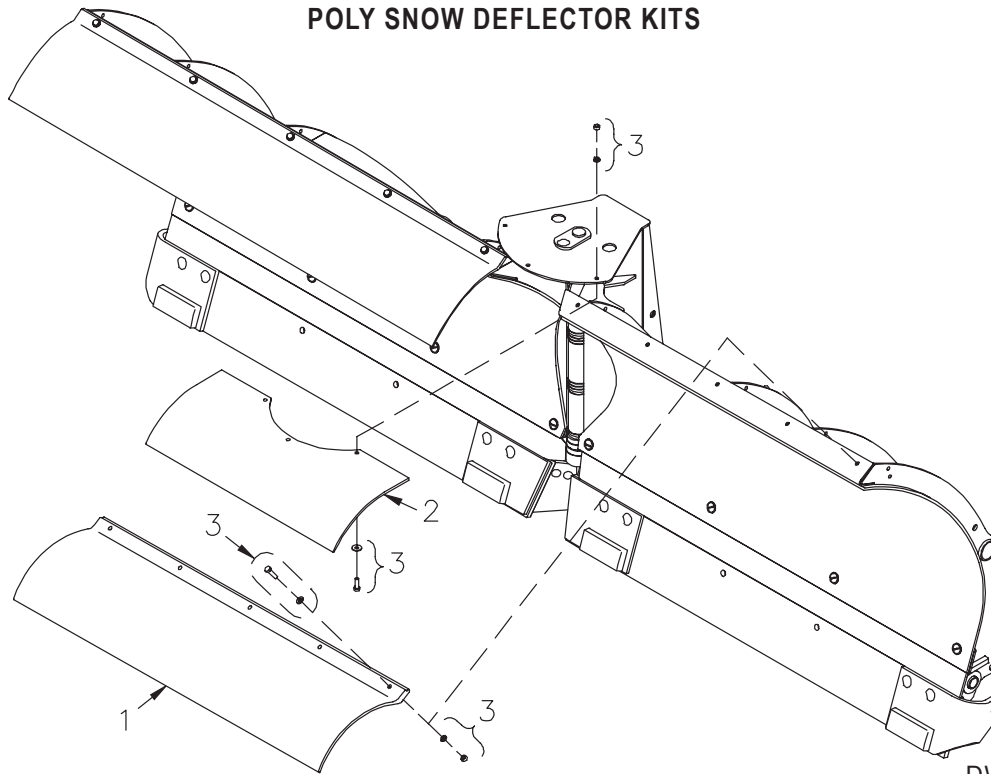


25010633 Snow Deflector Kit For 8 1/2' V-Plow
 25010910 Snow Deflector Kit For 9 1/2' V-Plow

DWG. NO. 7300A

REF. NO.	PART NUMBER	DESCRIPTION	QTY.	REF. NO.	PART NUMBER	DESCRIPTION	QTY.
1	25010695	Snow Deflector, 8 1/2' V-Plow	2	3	030-16042	Carriage Bolt 5/16-18 x 1 Gr. 5	A/R
	25010912	Snow Deflector, 9 1/2' V-Plow	2	4	951-005-036	Lock Nut 5/16-18 Mac Lock	A/R
2	25010690	Snow Deflector Strap, 8 1/2' V-Plow	2				
	25010911	Snow Deflector Strap, 9 1/2' V-Plow	2				

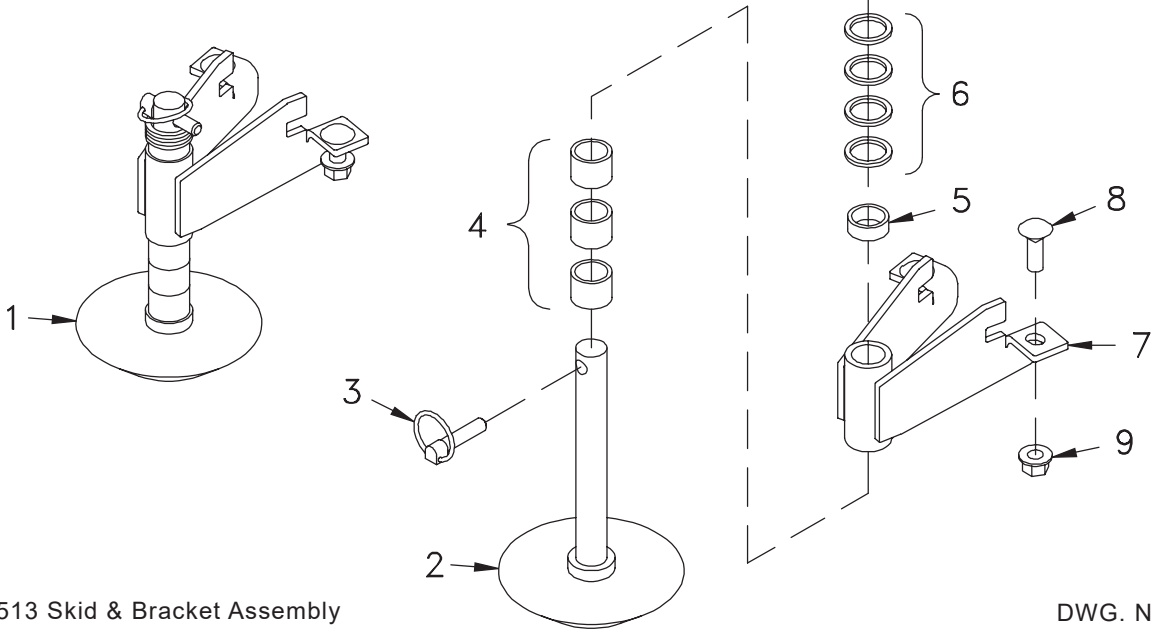
POLY SNOW DEFLECTOR KITS



DWG. NO. 7301A

REF. NO.	PART NUMBER	DESCRIPTION	QTY.	REF. NO.	PART NUMBER	DESCRIPTION	QTY.
1	25011791	Poly Snow Deflector Kit 8 1/2' V-Plow	1	2	25011796	Center Deflector	1
	25011792	Poly Snow Deflector Kit 9 1/2' V-Plow	1	3	25011793	Bolt Box Snow Deflector	1

SKID SHOE ASSEMBLY

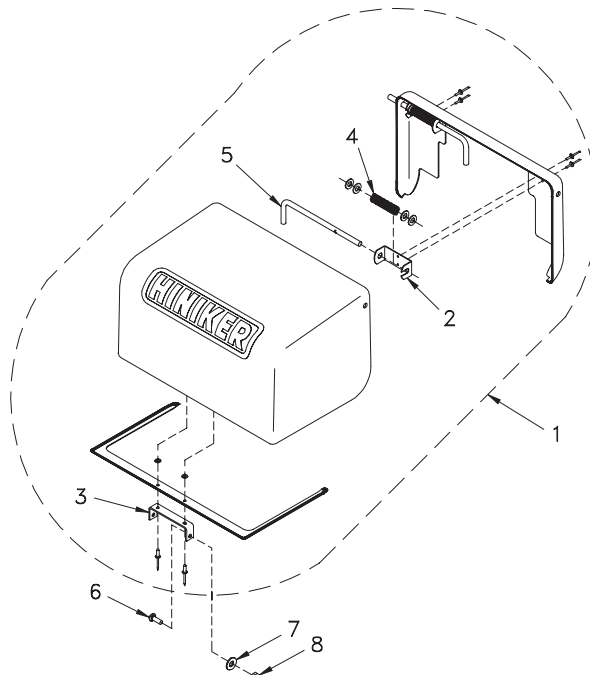


25013513 Skid & Bracket Assembly

DWG. NO. 7302

REF. NO.	PART NUMBER	DESCRIPTION	QTY.	REF. NO.	PART NUMBER	DESCRIPTION	QTY.
1	25013513	Skid Shoe & Bracket Kit (Contains 2 Skid Assys)	1	6	952-004-071	Machinery Bushing	8
2	25011478	Cast Iron Skid Shoe	2	7	25013398	Skid Bracket Weldment	2
3	25010319	Klik Pin	2	8	030-16132	Carriage Bolt 1/2-13 x 1 1/2 Gr. 5	4
4	25010049	1" Skid Spacer	6	9	951-005-055	Lock Nut 1/2-13 Mac Lock	4
5	25010048	1/2" Skid Spacer	2				

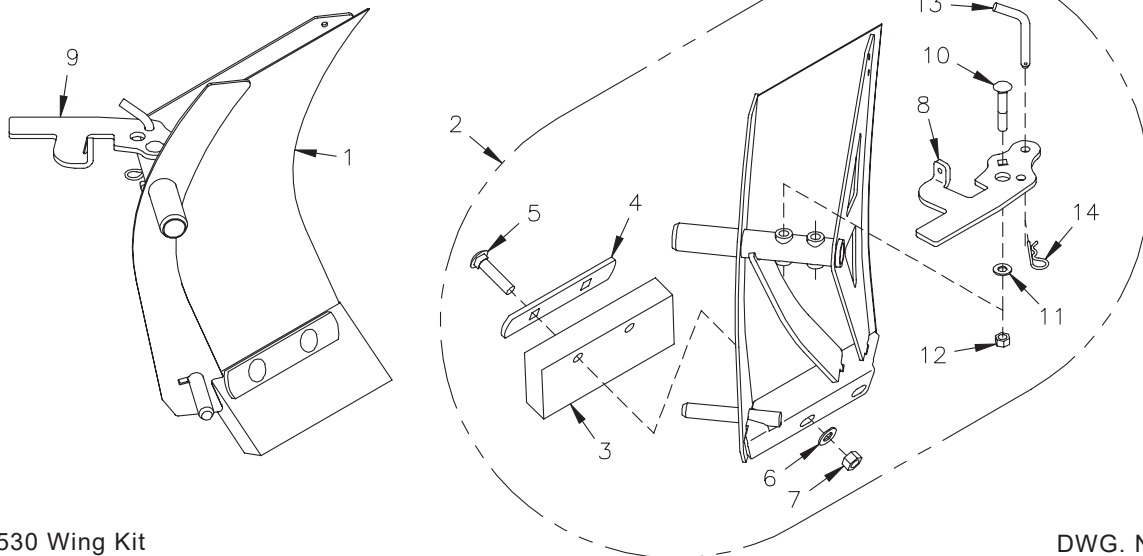
POWER UNIT COVER ASSEMBLY



DWG. NO. 5559

REF. NO.	PART NUMBER	DESCRIPTION	QTY.	REF. NO.	PART NUMBER	DESCRIPTION	QTY.
1	25011070	Cover Assembly (Includes Items 2-5)	1	5	25011071	Rod	2
2	25011073	Clevis	2	6	031-10657	Machine Screw 1/4-20 x 3/4 Slotted Round Head	2
3	25011072	Clevis	1	7	952-002-011	Flat Washer 1/4 Inch	2
4	25010717	Compression Spring	2	8	060954	Lock Nut 1/4-20 Nylon Insert	2

BOX END WINGS

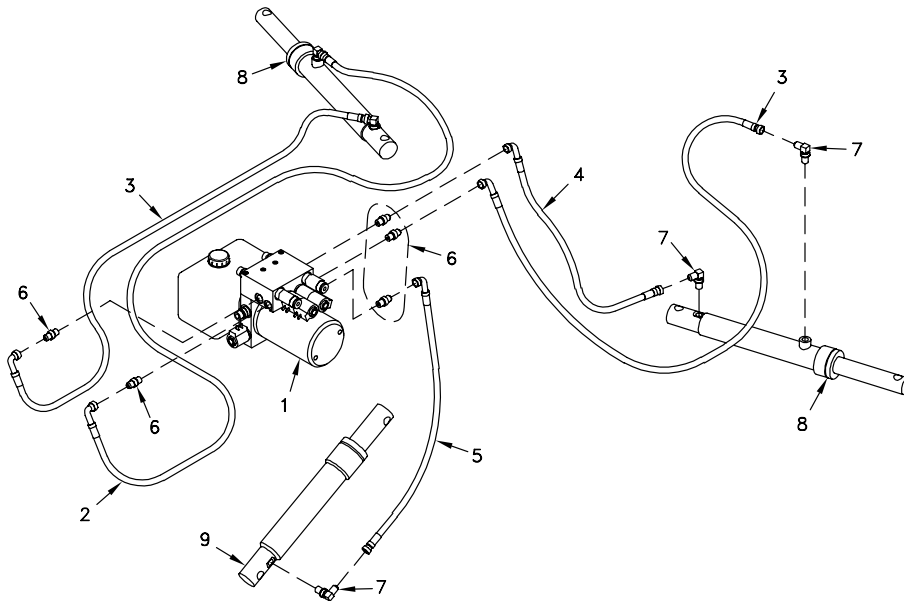


25013530 Wing Kit

DWG. NO. 7303

REF. NO.	PART NUMBER	DESCRIPTION	QTY.	REF. NO.	PART NUMBER	DESCRIPTION	QTY.
1	25013532	Complete LH Wing Assembly	1	8	25013209	RH Locking Arm	1
2	25013533	Complete RH Wing Assembly	1	9	25013208	LH Locking Arm	1
3	25013531	Rubber Edge	1	10	030-16138	Carriage Bolt 1/2-13 x 3 Gr. 5	1
4	25013206	Strap	1	11	952-003-004	SAE Flat Washer, 1/2 Inch	1
5	030-12168	Carriage Bolt 5/8-11 x 2 3/4 Gr. 5	2	12	10304	Lock Nut 1/2-13 2-Way	1
6	952-003-003	SAE Flat Washer, 5/8 Inch	2	13	25013207	Bent Arm Pin 1/2 x 3	1
7	951-005-044	Lock Nut 5/8-11 2-Way	2	14	953-005-003	Hair Pin Cotter	1

HYDRAULIC OVERVIEW

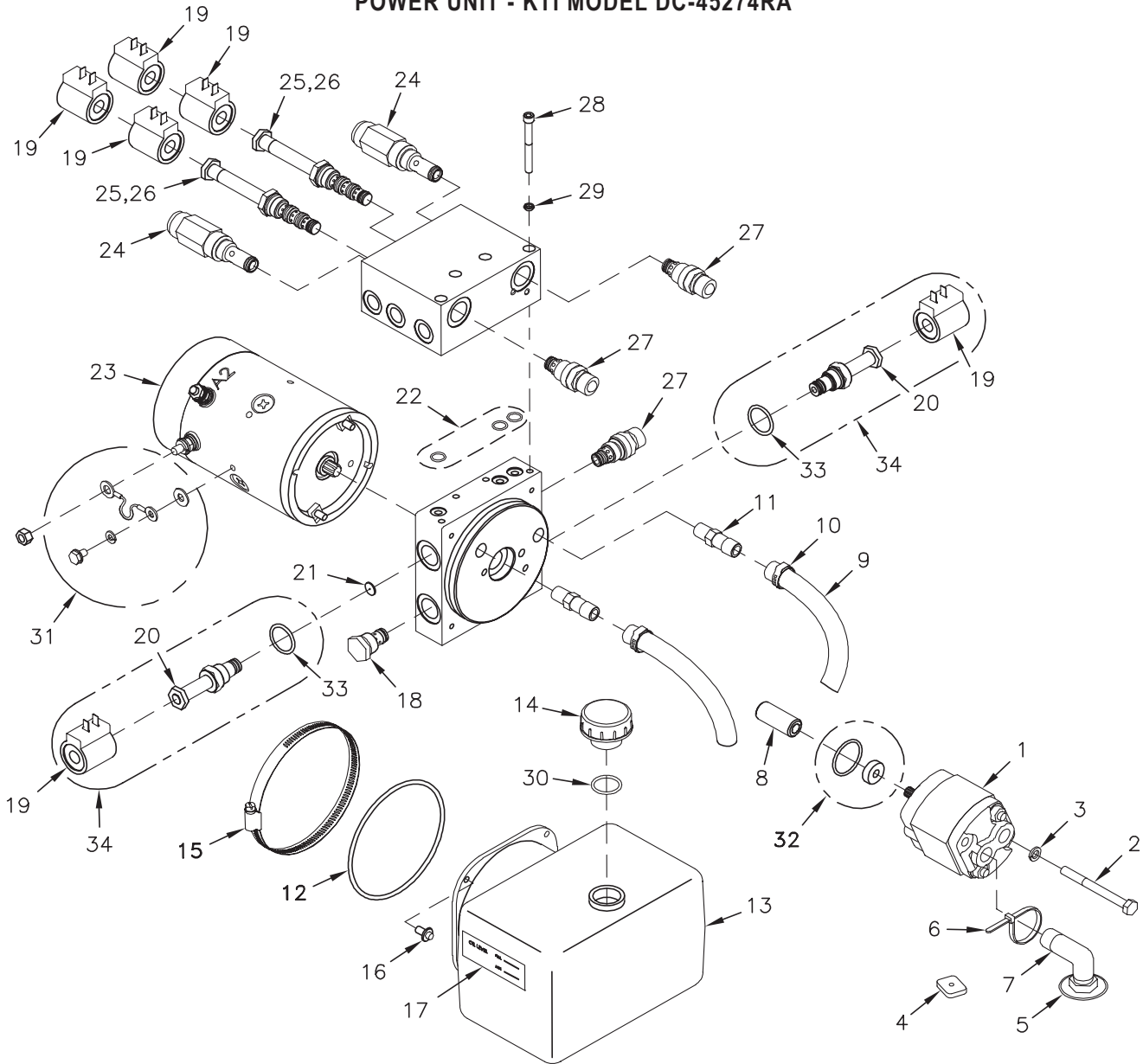


DWG. NO. 7790

REF. NO.	PART NUMBER	DESCRIPTION	QTY.	REF. NO.	PART NUMBER	DESCRIPTION	QTY.
1	25014108	Power Unit - KTI (See Sec. 2, P. 10)	1	5	957-021-002	Hydraulic Hose Assembly 1/4 x 33	1
	25012648	Power Unit - SPX (See Sec. 2, P. 11)	1	6	206-01024	Straight Adapter 9/16 ORB x 9/16 JIC	5
2	957-021-000	Hydraulic Hose Assembly 1/4 x 66	1	7	956-005-022	90° Adapter 9/16 ORB x 9/16 JIC	5
3	957-021-001	Hydraulic Hose Assembly 1/4 x 54	2	8	25012046	1 3/4 x 10 Dble-Acting Cyl (See Sec. 2, P. 12)	2
4	957-021-003	Hydraulic Hose Assembly 1/4 x 40	1	9	25011402	1 3/4 x 9 Cylinder (See Sec. 2, P. 12)	1

POWER UNIT - KTI MODEL DC-45274RA

SECTION 2

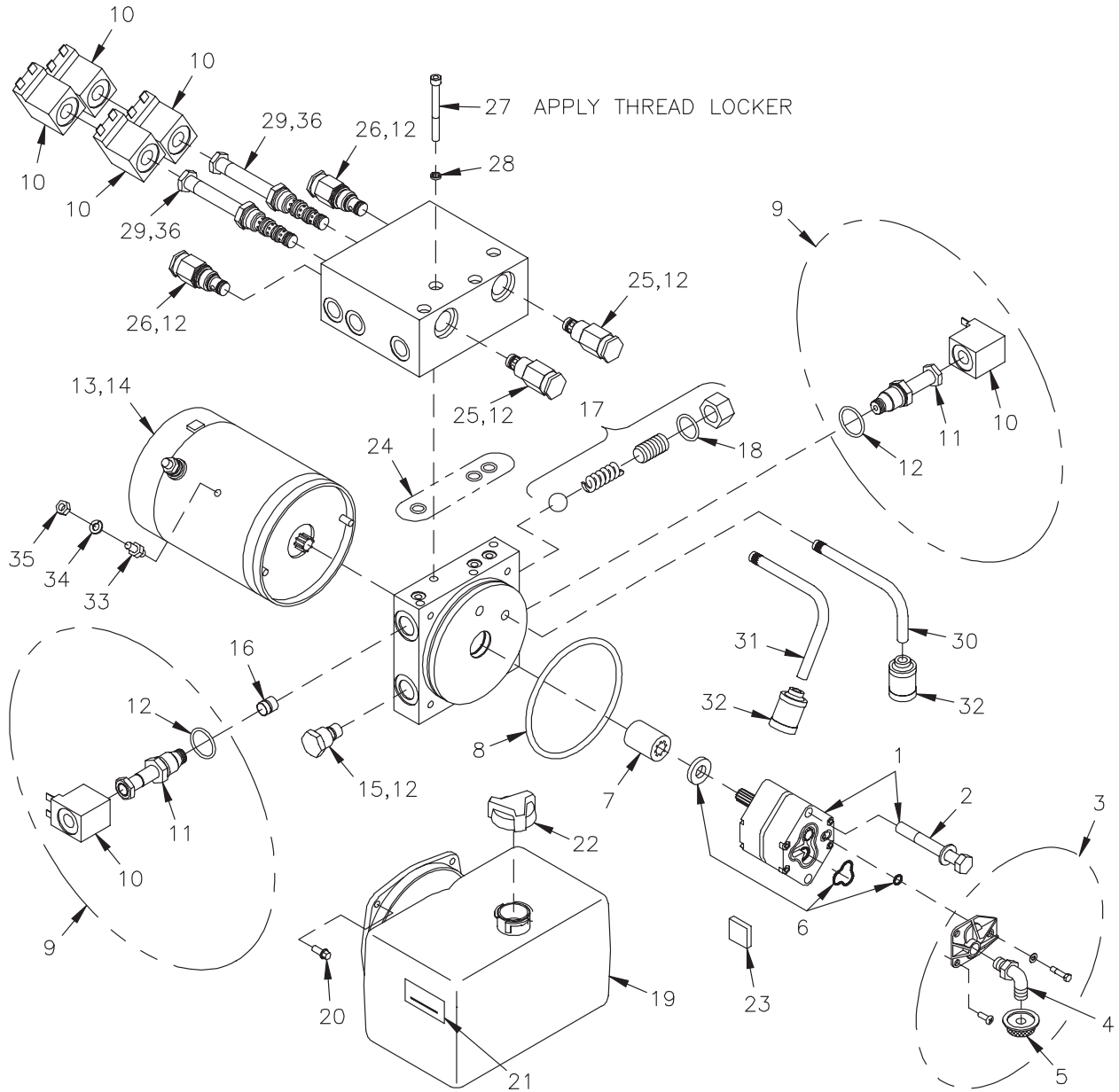


25014108 Power Unit - KTI Model DC-45274RA

DWG. NO. 7778A

REF. NO.	PART NUMBER	DESCRIPTION	QTY.	REF. NO.	PART NUMBER	DESCRIPTION	QTY.
1	25014127	Pump Assembly	1	18	25014121	Check Valve	1
2	950-001-370	Hex Head Cap Screw 5/16-24 X 3 1/4 Gr. 5	1	19	25014119	Solenoid Coil 10V	6
3	952-001-002	Lock Washer 5/16 Inch	2	20	25010544	Cartridge Valve	2
4	25010220	Plumbing Magnet	1	21	25014120	Orifice Disc .062 Dia.	1
5	25014130	Inlet Strainer	1	22	25014188	O-Ring Kit	1
6	367-001-014	Plastic Cable Tie	1	23	25014115	Motor 12VDC	1
7	25014129	3/8 NPT Elbow Aluminum	1	24	25014125	Relief Valve	2
8	25014131	Coupler	1	25	25011525	Spool Valve	2
9	25014126	Clear Plastic Tubing 6"	2	26	25013106	Seal Kit	1
10	958-025-002	Hose Clamp 1/2 Inch	2	27	25014118	Relief Valve	3
11	958-005-002	Adapter 1/4 NPT to 1/2" Tube	2	28	950-004-128	Socket Head Cap Screw 1/4-20 X 2 1/4	4
12	25014128	O-Ring 113mm ID X 4mm CS	1	29	952-004-080	Lock Washer 1/4 X .363 OD	4
13	25014132	Reservoir	1	30	62502240	Breather O-Ring	1
14	25014133	Breather Cap	1	31	25014320	Ground Wire Kit	1
15	865-001-081	Hose Clamp 5 1/2 Inch	1	32	25014331	Pump Seal Kit	1
16	950-002-020	Hex Head Flanged Whiz Lock Bolt 1/4-20X1/2	4	33	25010992	O-Ring Kit	2
17	25014124	Oil Level Label	1	34	25011654	Release Valve Kit	2

POWER UNIT - SPX MODEL DB-5245-1



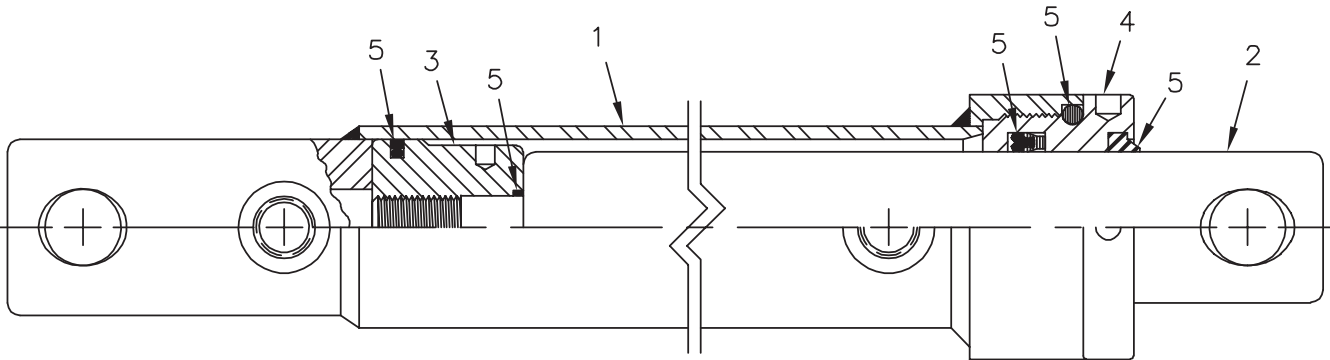
25012648 Power Unit - SPX Model DB-5245-1

DWG. NO. 6526A

REF. NO.	PART NUMBER	DESCRIPTION	QTY.	REF. NO.	PART NUMBER	DESCRIPTION	QTY.
1	25010734	Pump Assembly	1	19	25010738	Plastic Tank	1
2	950-001-327	Hex Head Cap Screw 5/16-24 x 3 Gr. 8	2	20	950-004-071	Machine Screw #12-24 x 1/2 Hex Washer Head	4
3	25010332	Inlet Plumbing Kit	1	21	25010436	Decal - Fill Line	1
4	25010244	Plumbing Elbow	1	22	25010217	Plastic Breather	1
5	25010221	Filter	1	23	25010220	Plumbing Magnet	1
6	25010334	Pump O-Ring Kit	1	24	25013881	Manifold O-Ring Kit	1
7	25010214	Coupling	1	25	25012678	Relief Valve	2
8	25010236	O-Ring	1	26	25010985	Crossover Relief Valve	2
9	25011654	Release Valve Kit	2	27	950-004-095	Socket Head Cap Screw 1/4-20 x 2 1/2	4
10	25011667	Solenoid Coil	6	28	952-004-080	Lock Washer 1/4 Inch	4
11	25010544	Cartridge Release Valve	2	29	25011525	Spool Valve	2
12	25010992	O-Ring Kit	1	30	25010935	Return Tube	1
13	25010230	Motor 12V DC	1	31	25012737	Return Tube	1
14	25010337	Motor Brush Kit	1	32	25010745	Return Tube Filter	2
15	25010746	Check Valve	1	33	25012673	Ground Stud 1/4-20	1
16	25012736	Orifice With O-Ring	1	34	952-001-001	Lock Washer 1/4 Inch	1
17	25010330	Adjustable Relief Valve Kit	1	35	951-001-003	Hex Nut 1/4-20	1
18	25010518	Adjustable Relief Valve O-Ring	1	36	25013106	Seal Kit	1

ANGLE CYLINDER

SEC 2

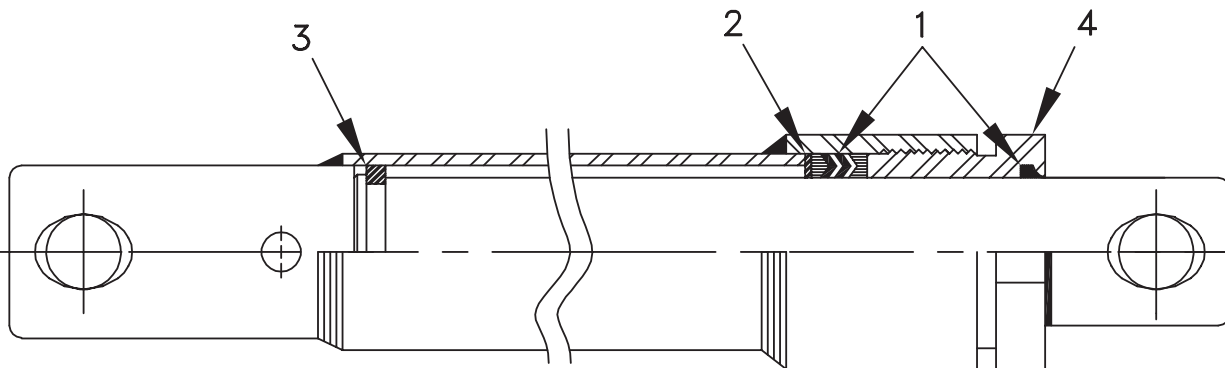


25012046 1 3/4 x 10 Cylinder

DWG. NO. 5878

REF. NO.	PART NUMBER	DESCRIPTION	QTY.	REF. NO.	PART NUMBER	DESCRIPTION	QTY.
1	25012055	Body Assembly	1	4	25012052	Rod Gland	1
2	25012054	Rod	1	5	25012088	Seal Kit	1
3	25012053	Piston	1				

1 3/4 X 9 LIFT CYLINDER

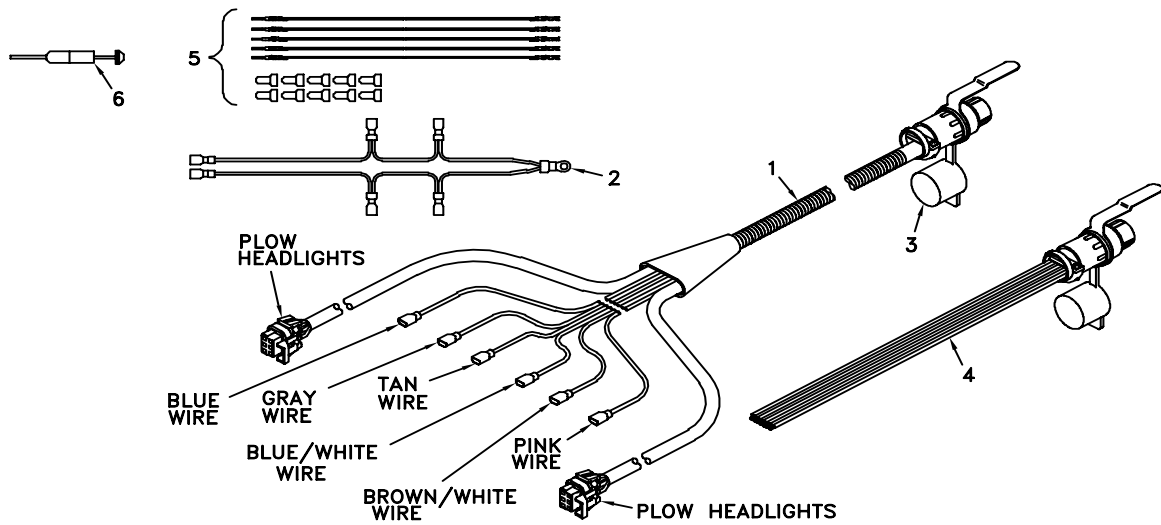


25011402 1 3/4 x 9 Cylinder

DWG. NO. 6141

REF. NO.	PART NUMBER	DESCRIPTION	QTY.	REF. NO.	PART NUMBER	DESCRIPTION	QTY.
1	25010711	Seal Kit - 1 3/4" Rod	1	3	25010707	Guide Ring - 1 3/4" Rod	1
2	25010706	Seat Ring - 1 3/4" Rod	1	4	25010708	Packing Nut - 1 3/4" Rod	1

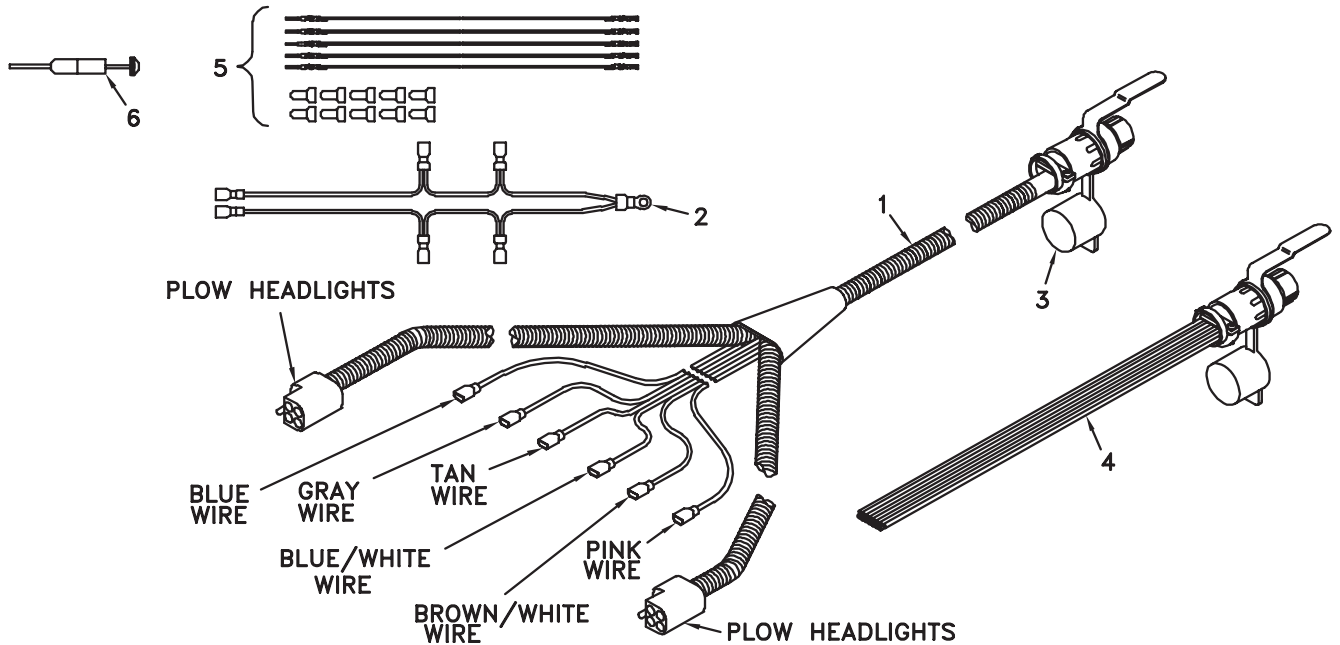
PLOW WIRING HARNESS - LED HEADLAMPS



DWG. NO. 7809

REF. NO.	PART NUMBER	DESCRIPTION	QTY.	REF. NO.	PART NUMBER	DESCRIPTION	QTY.
1	38813155	6 Function External Harness W/CPC Connector	1	4	38813107	Repair Pigtail, AMP CPC Plow	A/R
2	38813096	Ground Harness - 1/4" Ring	1	5	38813108	Repair Kit, AMP CPC (5 Wires)	A/R
	38813154	Ground Harness - 5/16" Ring	1	6	38640000	Pin/Socket Extraction Tool	1
3	36716042	Dust Cap	1				

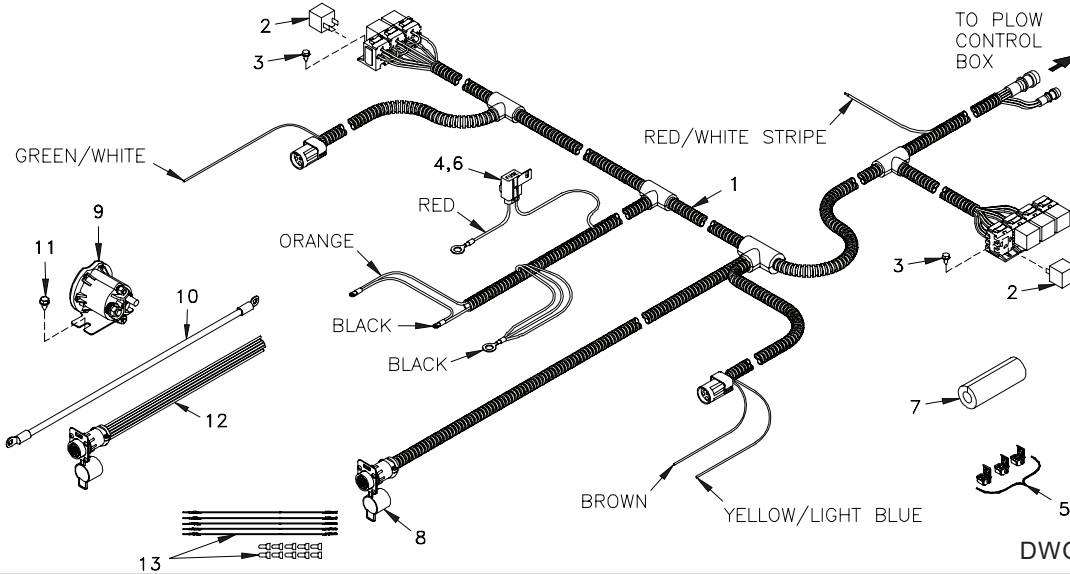
PLOW WIRING HARNESS - COMPOSITE HEADLAMPS



DWG. NO. 6745A

REF. NO.	PART NUMBER	DESCRIPTION	QTY.	REF. NO.	PART NUMBER	DESCRIPTION	QTY.
1	38813098	6 Function External Harness W/CPC Connector	1	4	38813107	Repair Pigtail, AMP CPC Plow	A/R
2	38813096	Ground Harness - 1/4" Ring	1	5	38813108	Repair Kit, AMP CPC (5 Wires)	A/R
	38813154	Ground Harness - 5/16" Ring	1	6	38640000	Pin/Socket Extraction Tool	1
3	36716042	Dust Cap	1				

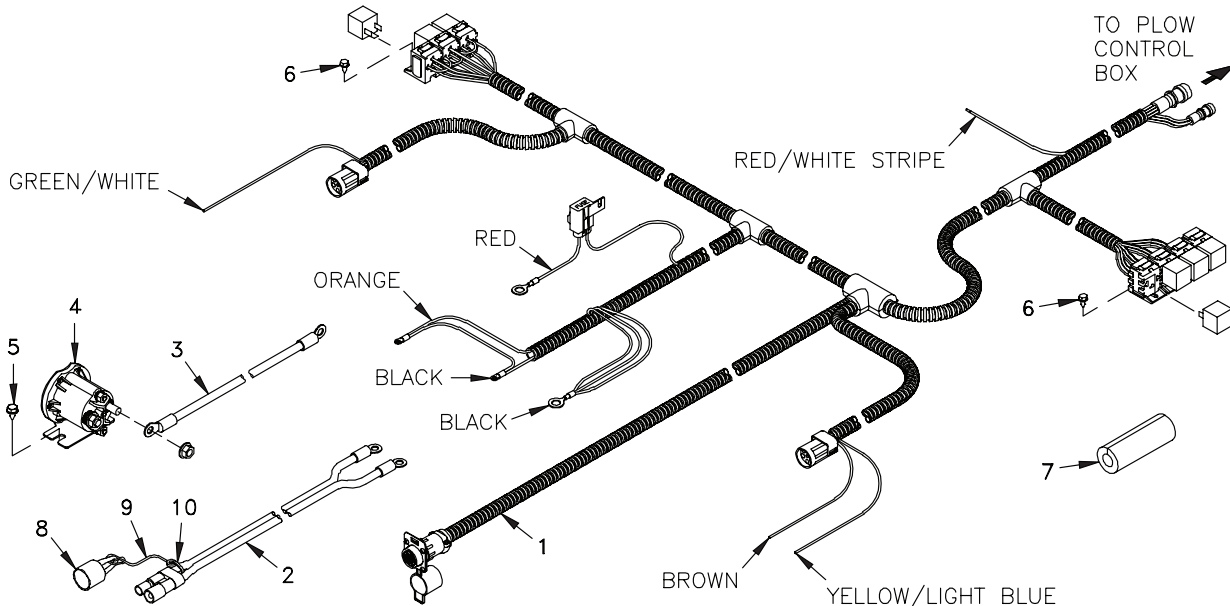
UNDERHOOD WIRING HARNESS



DWG. NO. 6749

REF. NO.	PART NUMBER	DESCRIPTION	QTY.	REF. NO.	PART NUMBER	DESCRIPTION	QTY.
1	38813097	Underhood Harness With 16 Pin CPC (Includes Relays And Fuse)	1	7	39107001	Foam Grommet 4" Long	1
2	38350010	Headlight/Accessory Relay	7	8	36716043	Dust Cap	1
3	031-30078	S-Tap Screw #8-18 x 1/2 Slotted Hex Head	4	9	38350015	Motor Solenoid Sealed	1
4	39207031	10 Amp Fuse	1	10	38813012	Red Solenoid Cable 4 Ga. 24 Inch	1
5	38610104	Sealed Quick Connect	3	11	950-005-004	S-Tap Screw 1/4-20 x 1/2 Hex Washer Head	2
6	38400012	Cover, Fuse Holder	1	12	38813106	Repair Pigtail, AMP CPC Grill	A/R
				13	38813108	Repair Kit, AMP CPC (5 Wires)	A/R

UNDERHOOD WIRING REMOUNT KIT W/CPC

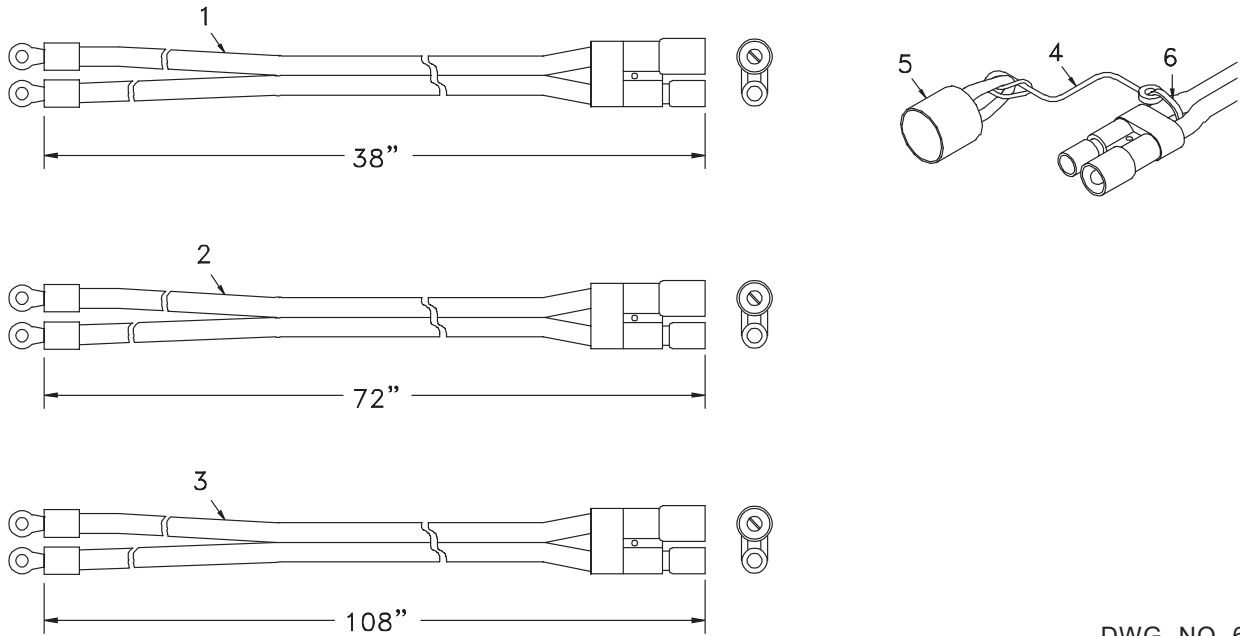


25013295 Remount Kit

DWG. NO. 6993

REF. NO.	PART NUMBER	DESCRIPTION	QTY.	REF. NO.	PART NUMBER	DESCRIPTION	QTY.
1	38813097	Underhood Harness W/16 Pin CPC	1	6	031-30078	Self Tapping Screw #8-18 x 1/2 Slotted Hex Head	4
2	38813066	Cable Battery Power 9 Ft	1	7	39107001	Foam Grommet	1
3	38813012	Cable, Solenoid 24"	1	8	36716002	Dust Cap	1
4	38350015	Motor Solenoid	1	9	36716025	Nylon Lanyard 8"	1
5	950-005-004	Self Tapping Screw 1/4-20 x 1/2 Hex Washer Head	2	10	367-001-014	Cable Tie 8"	1

POWER CABLES AND DUST CAPS

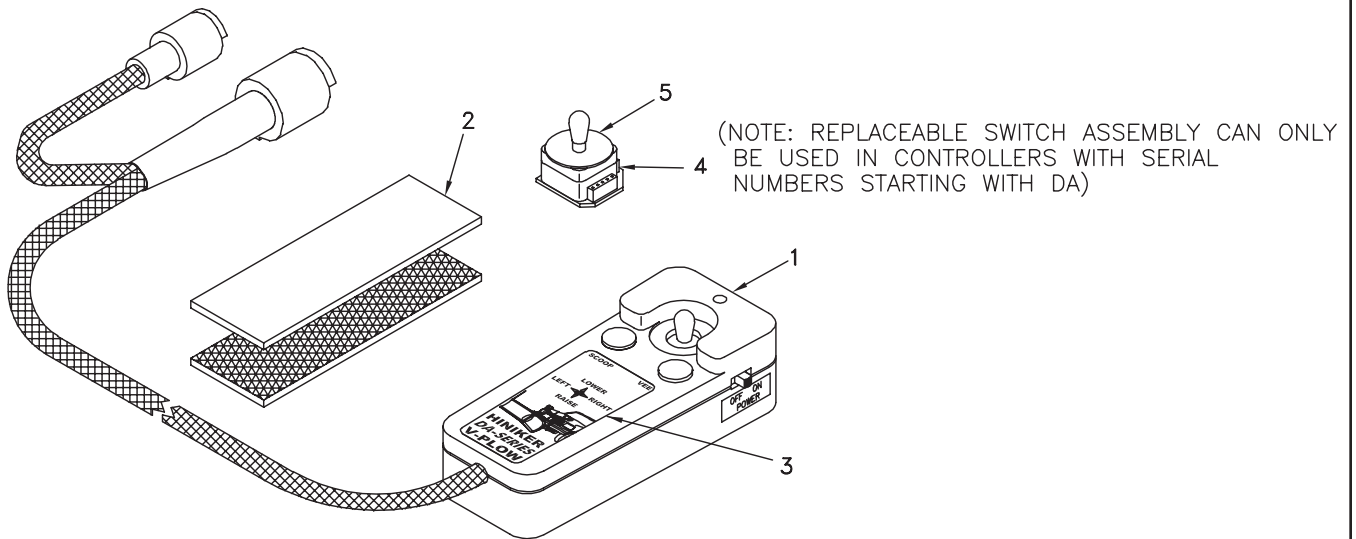


DWG. NO. 6744

REF. NO.	PART NUMBER	DESCRIPTION	QTY.	REF. NO.	PART NUMBER	DESCRIPTION	QTY.
1	38812008	Battery Power Cable - Snow Plow	1	4	36716025	Nylon Lanyard 8"	A/R
2	38813007	Battery Power Cable - Truck 6 Ft.	1	5	36716002	Large Dust Cap	A/R
3	38813066	Battery Power Cable - Truck 9 Ft.	1	6	367-001-014	Cable Tie 8"	A/R

SECTION 2

JOYSTICK CONTROLLER

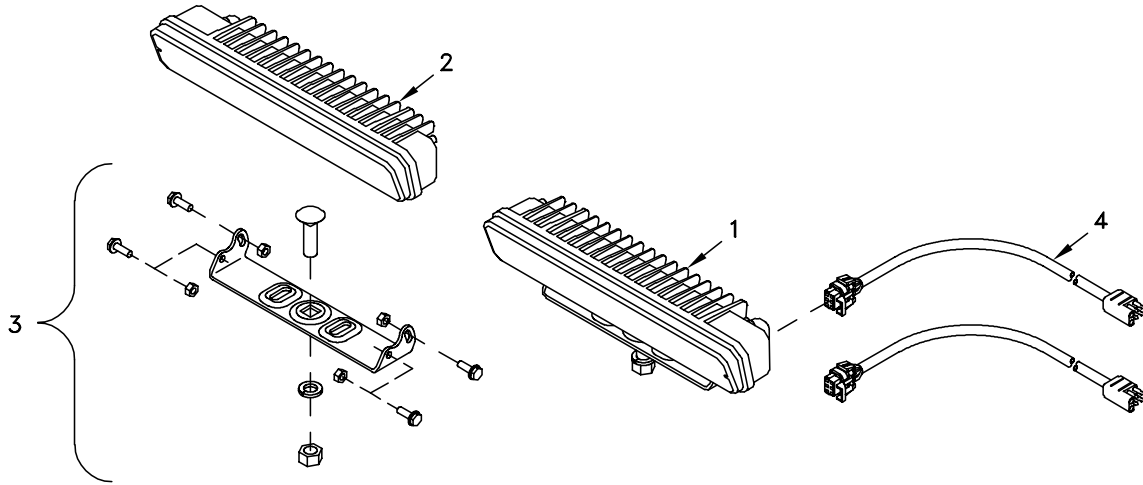


DWG. NO. 5928

REF. NO.	PART NUMBER	DESCRIPTION	QTY.	REF. NO.	PART NUMBER	DESCRIPTION	QTY.
1	36014026	Controller DA V-Plow	1	4	36014019	Switch Assembly	1
2	39108005	Hook & Loop Assembly	1	5	36716033	Gasket, Neoprene	1
3	39302153	Decal DA Joystick Top 2 Sided	1				

LED HEADLIGHTS

SEC 2

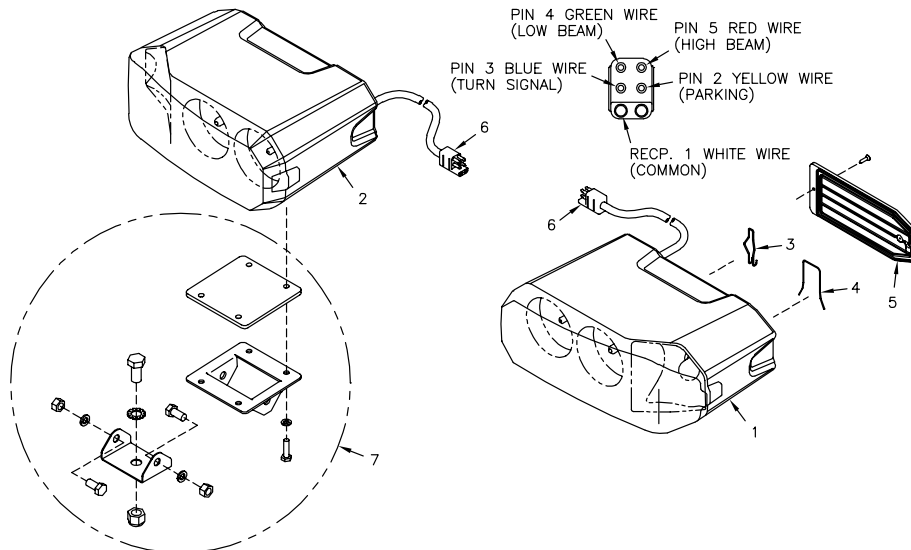


25014159 LED Headlamp Pair (Items 1, 2, 3)

DWG. NO. 7810

REF. NO.	PART NUMBER	DESCRIPTION	QTY.	REF. NO.	PART NUMBER	DESCRIPTION	QTY.
1	25014164	LH Headlight	1	3	25014166	Headlamp Mounting Hardware for 1 Light	2
2	25014165	RH Headlight	1	4	38813159	Adapter Harness - LED Upfit	A/R

COMPOSITE HEADLAMPS



DWG. NO. 6899

REF. NO.	PART NUMBER	DESCRIPTION	QTY.	REF. NO.	PART NUMBER	DESCRIPTION	QTY.
1	25013250	LH Light Assembly	1	7	25013249	Hardware Kit-Upper & Lower (For 2 Lights)	1
2	25013251	RH Light Assembly	1		N/A	High Beam Headlight Bulb-One #H1 12V, 55W	1
3	25012416	Spring Clip, High Beam	1		N/A	Low Beam Headlight Bulb-One #H7, 12V, 55W	1
4	25012415	Spring Clip, Low Beam	1		N/A	Turn Signal/Parking Bulb-One #1157 Heavy Duty Double Contact 32/3 C.P.	1
5	25013247	Back Panel	1				
6	25013248	Wire Harness	1				