

SECTION 12

STRAIGHT

SNOWPLOW

MODELS 700/750, 702/752, 702SS/752SS

PLOW COMPONENTS

- PAGE 2 MOLDBOARD ASSEMBLIES
- PAGE 3 PUSH FRAME ASSEMBLY
- PAGE 4 LIFT FRAME ASSEMBLY
- PAGE 5 POWER UNIT COVER ASSEMBLY
POLY SNOW DEFLECTOR KIT
- PAGE 6 WEAR PLATE KIT
CURB GUARD KITS
- PAGE 7 SKID SHOE ASSEMBLY

HYDRAULIC COMPONENTS

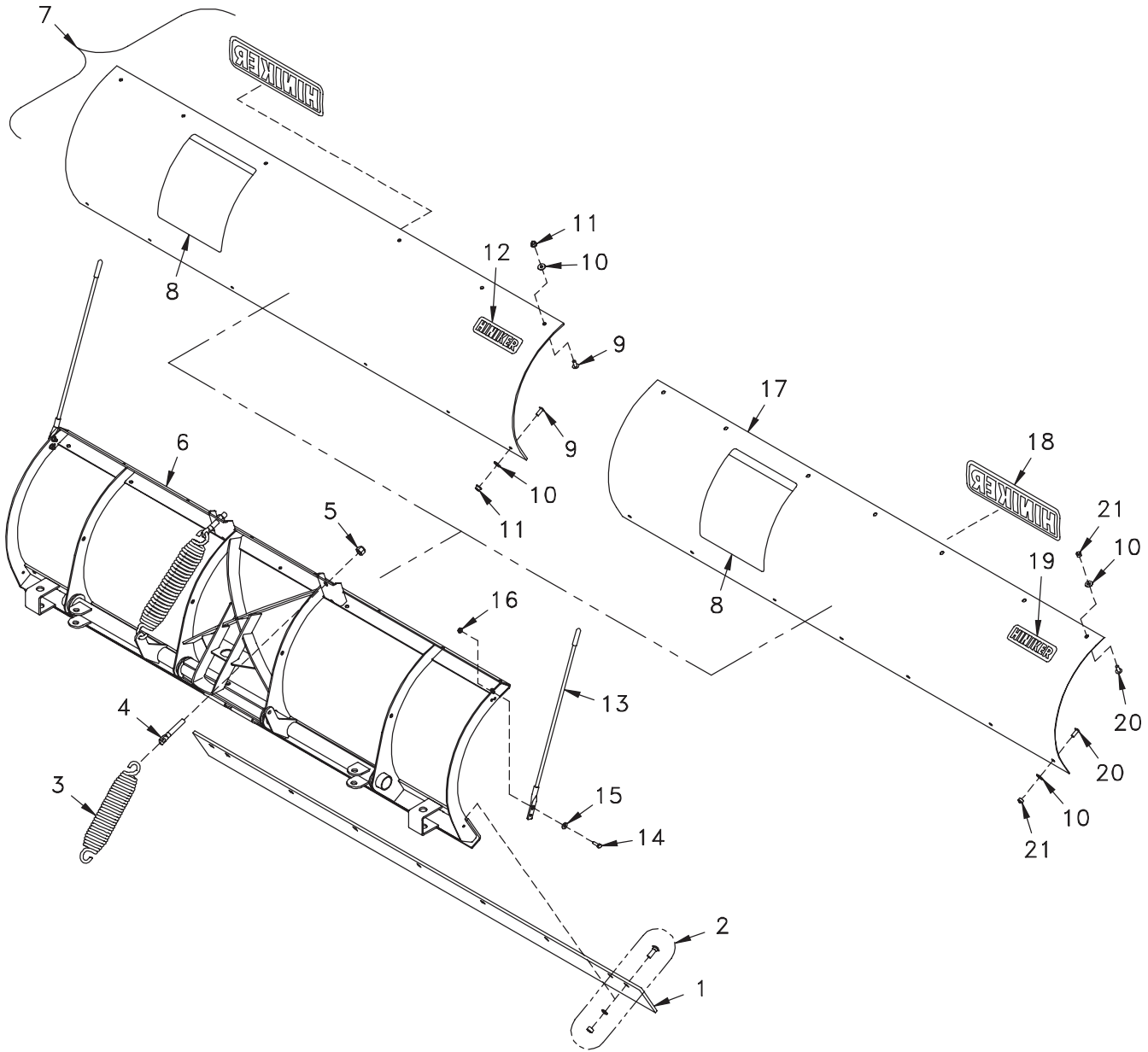
- PAGE 7 HYDRAULIC OVERVIEW
- PAGE 8 POWER UNIT KTI MODEL DC 45299 RA
- PAGE 9 POWER UNITS SPX MODELS DB-7929-1, DB-20142423-1
- PAGE 10 POWER UNIT SPX MODEL DB-1164
- PAGE 11 HYDRAULIC CYLINDERS

ELECTRICAL COMPONENTS

- PAGE 11 JOYSTICK CONTROLLER
- PAGE 12 UNDERHOOD WIRING HARNESS - MODELS 702, 752, 702SS, 752SS
PLOW WIRING HARNESS - MODELS 702, 752, 702SS, 752SS
- PAGE 13 UNDERHOOD WIRING REMOUNT KIT W/CPC - MODELS 702, 752, 702SS, 752SS
POWER CABLES
- PAGE 14 UNDERHOOD WIRING HARNESS - MODELS 700, 750
PLOW WIRING HARNESS - MODELS 700, 750
- PAGE 15 GRILL MOUNT PLATE
COMPOSITE HEADLAMPS
- PAGE 16 SEALED BEAM HEADLAMPS

MOLDBOARD ASSEMBLY

SEC
12



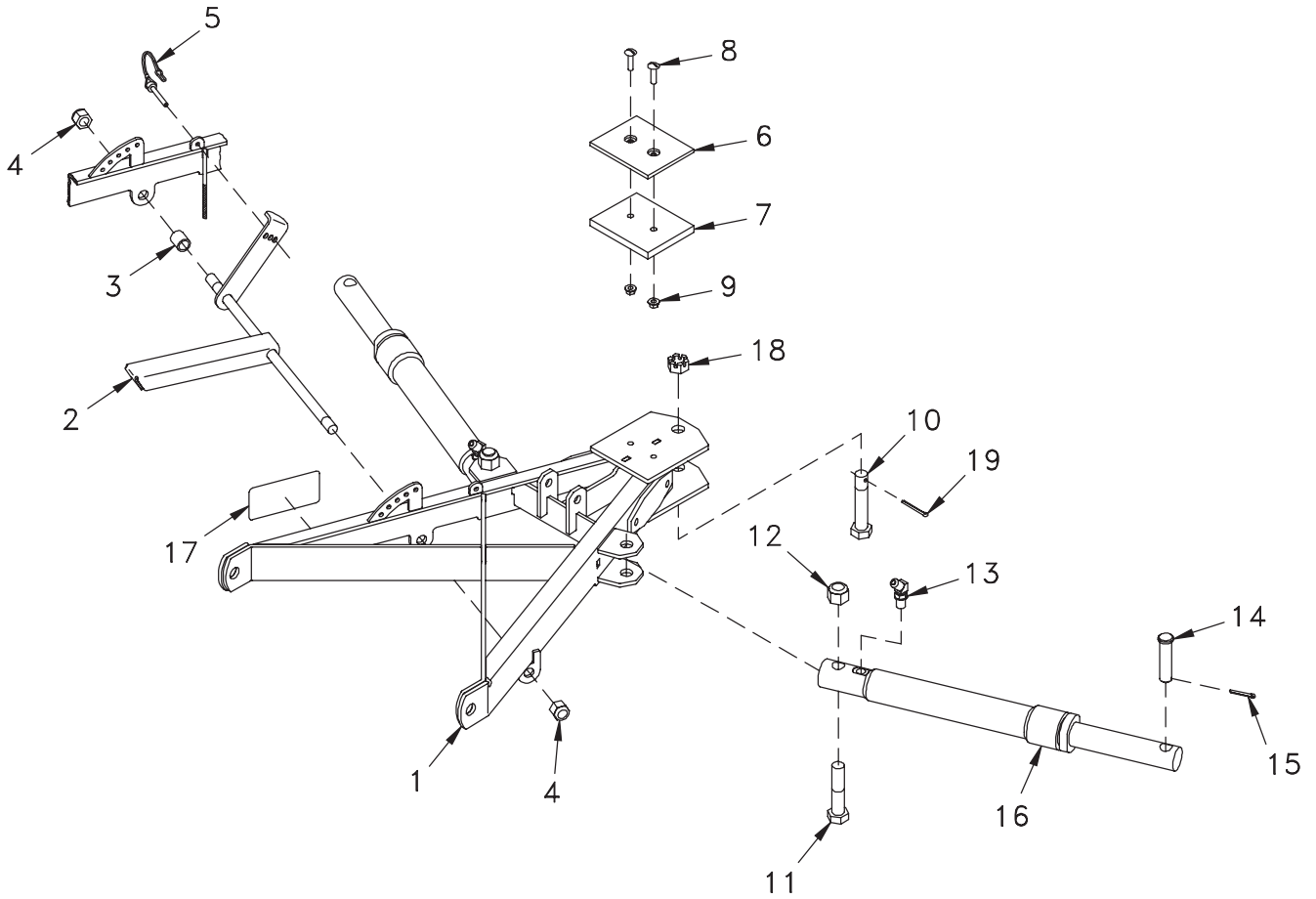
- 25013137 7' Moldboard Assembly - Poly
- 25013138 7 1/2' Moldboard Assembly - Poly
- 25013708 7' Moldboard Assembly - Stainless Steel
- 25013712 7 1/2' Moldboard Assembly - Stainless Steel

DWG. NO. 5705D

REF. NO.	PART NUMBER	DESCRIPTION	QTY.	REF. NO.	PART NUMBER	DESCRIPTION	QTY.
1	25011839	7' Cutting Edge	1	11	951-005-003	Lock Nut 3/8-16 Mac Lock	12
	25010002	7 1/2' Cutting Edge	1	12	25011684	Hiniker Decal - White	1
2	25011051	Cutting Edge Bolt Kit	1	13	25010118	Blade Guide	2
3	25010694	Extension Spring	2	14	950-001-110	Hex Head Cap Screw 5/16-18 x 1 Gr. 5	4
4	25011863	Spring Stud	2	15	952-002-002	Flat Washer 5/16 Inch	2
5	060756	Lock Nut 5/8-11 Nylon Insert	2	16	951-005-036	Lock Nut 5/16-18 Mac Lock	4
6	25013719	Moldboard Frame Weldment - 7 Ft Plow	1	17	25013713	7' Moldboard Blank Stainless Steel	1
	25013720	Moldboard Frame Weldment - 7 1/2 Ft Plow	1		25013714	7 1/2' Moldboard Blank Stainless Steel	1
7	25012190	Moldboard Blank/Decal Assembly - 7 Ft Plow	1	18	79204093	Hiniker Decal - Red/Black	1
	25012852	Moldboard Blank/Decal Assembly - 7 1/2 Ft Plow	1	19	25013721	Hiniker Decal - Red/Black	1
8	25011840	Snowplow Removal Decal	1	20	950-004-125	Machine Screw 3/8-16 x 1 Slotted Truss Head SS	14
9	700-11704	Machine Screw 3/8-16 x 1 Slotted Truss Head	12	21	951-003-002	Lock Nut 3/8-16 Nylon Insert	13
10	952-002-013	Flat Washer, 3/8 Inch Stainless Steel	A/R				

PUSH FRAME ASSEMBLY

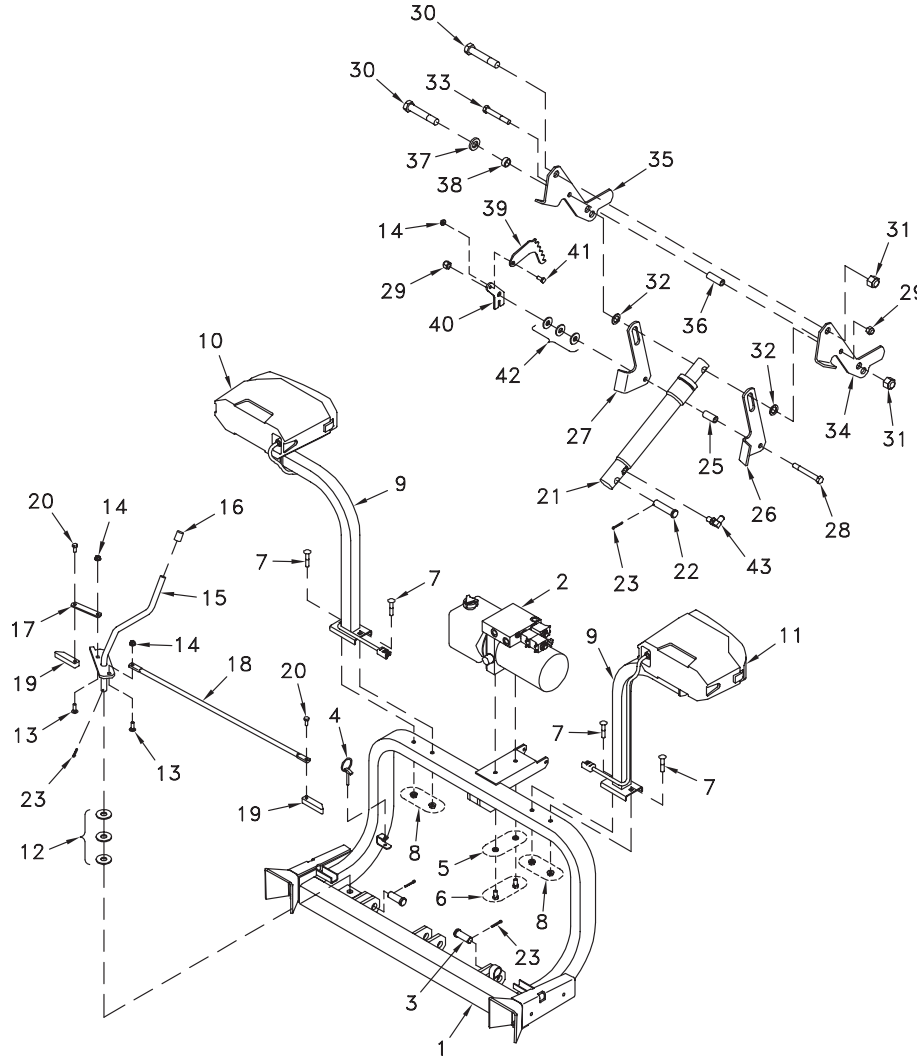
SEC
12



DWG. NO. 5706A

REF. NO.	PART NUMBER	DESCRIPTION	QTY.	REF. NO.	PART NUMBER	DESCRIPTION	QTY.
1	25011864	Push Frame/Decal Assembly	1	11	950-001-174	Hex Head Cap Screw 3/4-10 x 3 1/2 Gr. 5	2
2	25011883	Park Stand Weldment	1	12	951-003-010	Lock Nut, 3/4-10 Nylon Insert	2
3	25011896	Spacer Bushing	1	13	956-005-023	45° Adapter 9/16 ORB x 9/16 JIC	2
4	060756	Lock Nut 5/8-11 Nylon Insert	2	14	953-002-032	Clevis Pin 3/4 x 3	2
5	25010797	Tab Lock Pin	1	15	035-42033	Cotter Pin 5/32 x 1 1/4	2
6	25011881	Plastic Pad	1	16	25010523	1 1/2 x 10 Cylinder (See Sec. 12, Page 11)	2
7	25011882	Rubber Pad	1	17	25010697	Caution Decal	1
8	950-004-088	Mach. Screw 5/16-18 x 1 1/2 Slotted Truss Head	2	18	034-00136	Slotted Nut 3/4-10	1
9	951-005-036	Lock Nut 5/16-18 Mac Lock	2	19	953-001-008	Cotter Pin 3/16 x 1 3/4	1
10	25012630	Drilled Bolt 3/4-10 x 4 Gr. 5	1				

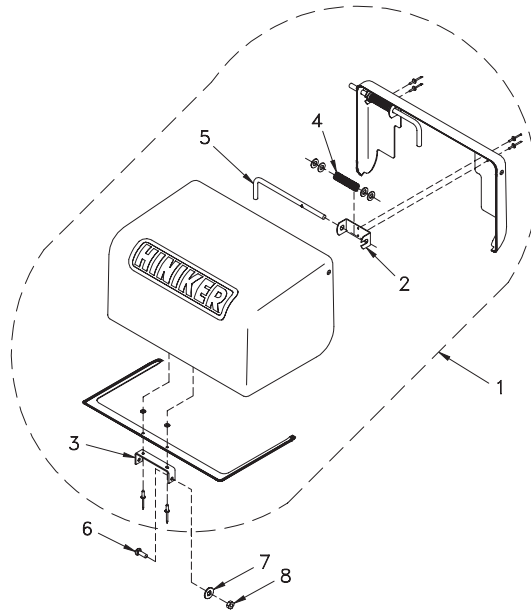
LIFT FRAME ASSEMBLY



DWG. NO. 5707B

REF. NO.	PART NUMBER	DESCRIPTION	QTY.	REF. NO.	PART NUMBER	DESCRIPTION	QTY.
1	25012583	Frame Weldment	1	22	953-002-032	Clevis Pin 3/4 x 3	1
2	25014148	Power Unit- KTI (See Sec 12 p. 8)	1	23	035-42033	Cotter Pin 5/32 x 1 1/4	4
	25014033	Power Unit- SPX (See Sec 12, pgs 9-10)	1	25	25010114	Spacer	1
3	953-002-031	Clevis Pin 3/4 x 2	2	26	25010390	RH Lower Link	1
4	703-00209	Klik Pin	1	27	25010389	LH Lower Link	1
5	952-001-007	Lock Washer 3/8 Inch	2	28	950-001-124	Hex Head Cap Screw 1/2-13 x 4 Gr. 5	1
6	950-001-089	Hex Head Cap Screw 3/8-16 x 3/4 Gr. 5	2	29	951-003-009	Lock Nut 1/2-13 Nylon Insert	2
7	950-003-070	Carriage Bolt 3/8-16 x 2 Gr. 5	4	30	950-001-310	Hex Head Cap Screw 3/4-10 x 4 1/4 Gr. 5 1 1/4" Thread Length	2
8	951-005-003	Lock Nut 3/8-16 Mac Lock	4	31	951-003-010	Lock Nut 3/4-10 Nylon Insert	2
9	25010050	Light Bracket Weldment	2	32	952-004-003	Machine Bushing 25/32 x 1 1/4 x .075	2
10	25013250	LH Light Assembly, 5-Pin (See Sec. 12, pgs 15-16)	1	33	950-001-142	Hex Head Cap Screw 1/2-13 x 3 1/2 Gr. 5	1
11	25013251	RH Light Assembly, 5-Pin (See Sec. 12, p. 15-16)	1	34	25011045	RH Upper Link	1
12	952-002-007	Flat Washer 5/8 Inch	3	35	25011044	LH Upper Link	1
13	030-16042	Carriage Bolt 5/16-18 x 1 Gr. 5	2	36	25011053	Upper Link Spacer	1
14	951-005-036	Lock Nut 5/16-18 Mac Lock	3	37	033-12013	SAE Flat Washer 3/4 Inch	1
15	25010410	Handle Weldment	1	38	25011885	Bushing	1
16	25011230	Vinyl Cap	1	39	25011884	Stop Plate	1
17	25010275	Short Tie Rod	1	40	25011886	Stop Plate Tab	1
18	25010274	Long Tie Rod	1	41	950-001-113	Hex Head Cap Screw 5/16-18 x 3/4 Gr. 5	1
19	25010276	Slider	2	42	952-002-005	Flat Washer 1/2 Inch	3
20	950-011-042	Hex Head Cap Screw 5/16-18 x 3/4 Nylon Dri-Lock	2	43	956-005-022	90° Adapter 9/16 ORB x 9/16 JIC	1
21	25011581	1 1/2 x 9 ORB Cylinder (See Sec. 12, p.11)	1				
	25010524	1 1/2 x 8 ORB Cylinder (See Sec. 12, p. 11)	1				

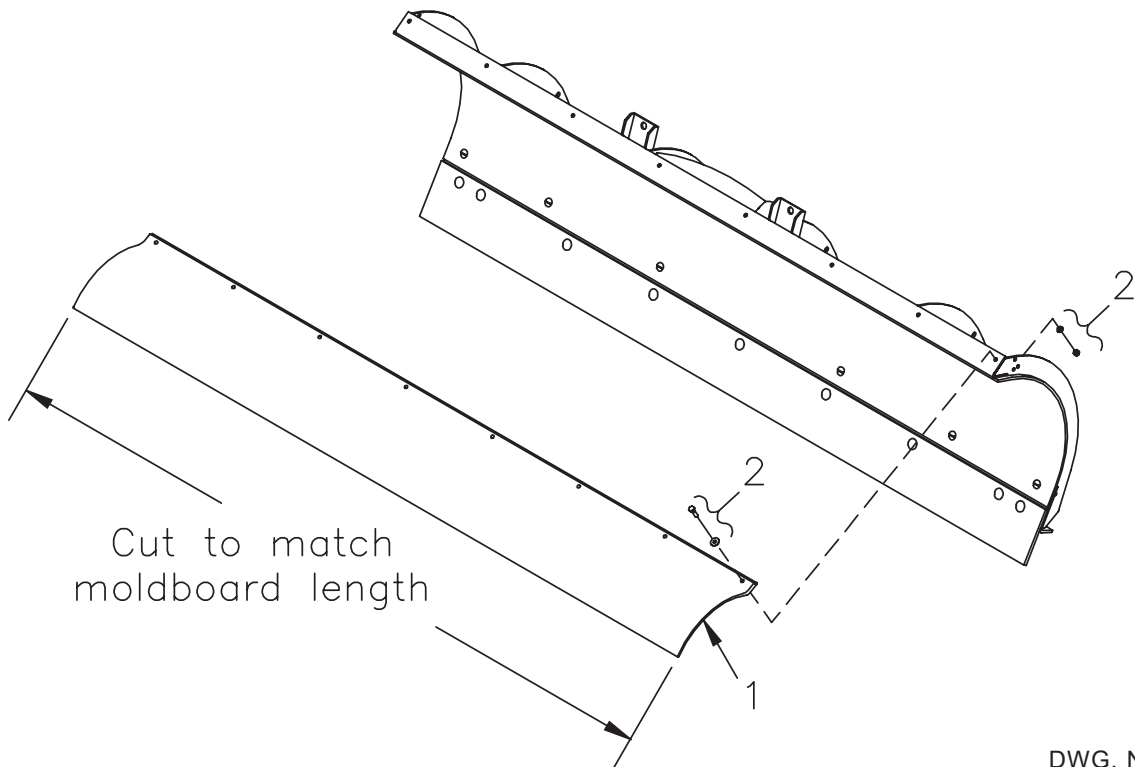
POWER UNIT COVER ASSEMBLY



DWG. NO. 5559

REF. NO.	PART NUMBER	DESCRIPTION	QTY.	REF. NO.	PART NUMBER	DESCRIPTION	QTY.
1	25011070	Cover Assembly (Includes Items 2-5)	1	5	25011071	Rod	2
2	25011073	Clevis	2	6	031-10657	Machine Screw 1/4-20 x 3/4 Slotted Round Head	2
3	25011072	Clevis	1	7	952-002-011	Flat Washer 1/4 Inch	2
4	25010717	Compression Spring	2	8	060954	Lock Nut 1/4-20 Nylon Insert	2

POLY SNOW DEFLECTOR KIT

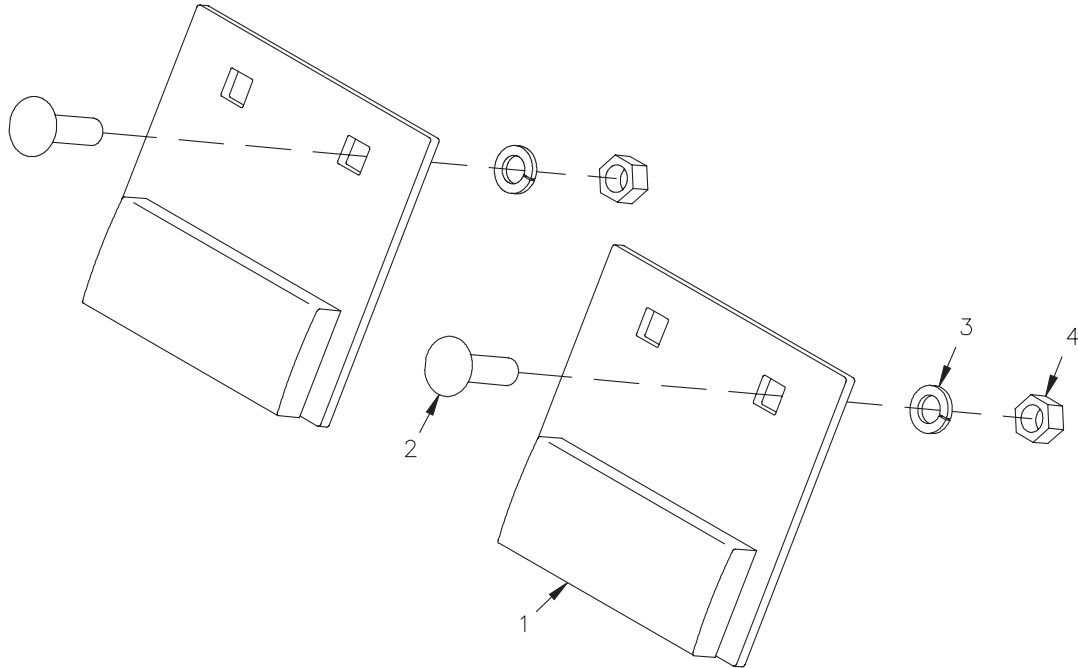


DWG. NO. 5761

REF. NO.	PART NUMBER	DESCRIPTION	QTY.	REF. NO.	PART NUMBER	DESCRIPTION	QTY.
1	25011789	Poly Snow Deflector Kit	1	2	25011793	Bolt Box, Snow Deflector (Included With Kit)	1

WEAR PLATE KIT

**SEC
12**

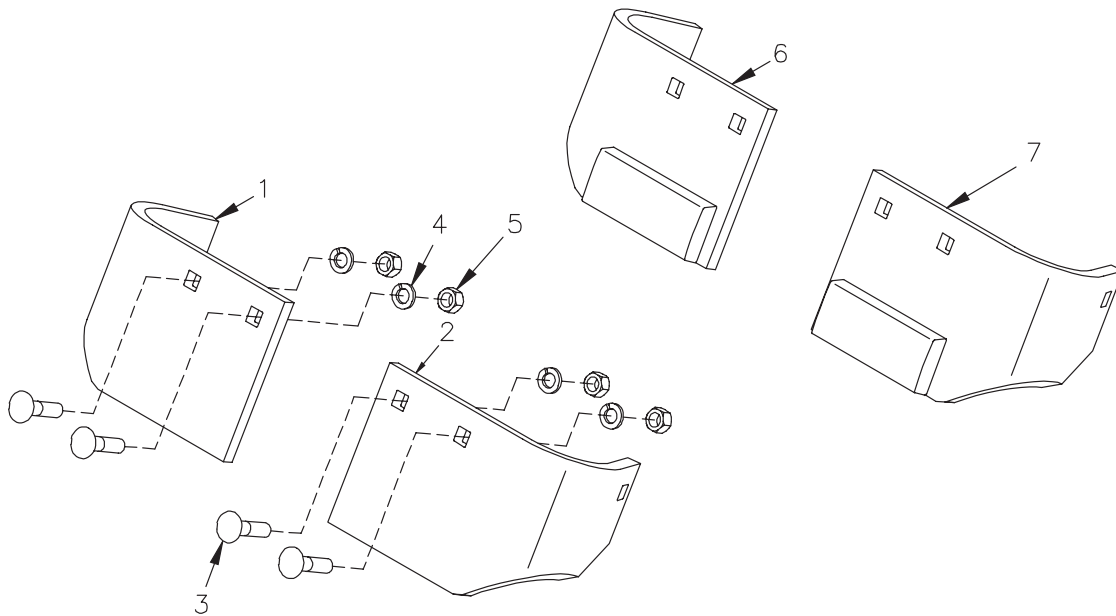


25012587 Wear Plate Kit

DWG. NO. 6331

REF. NO.	PART NUMBER	DESCRIPTION	QTY.	REF. NO.	PART NUMBER	DESCRIPTION	QTY.
1	25012588	Wear Plate Weldment	2	3	952-001-004	Lock Washer 1/2 Inch	4
2	950-003-058	Carriage Bolt 1/2-13 x 1 3/4 Gr. 5	4	4	951-001-007	Hex Nut 1/2-13	4

CURB GUARD KITS

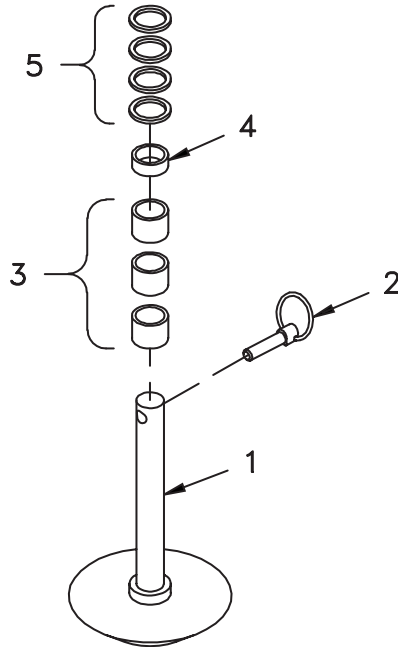


25011695 Curb Guard Kit - Standard
25012726 Curb Guard Kit With Wear Bars

DWG. NO. 5486

REF. NO.	PART NUMBER	DESCRIPTION	QTY.	REF. NO.	PART NUMBER	DESCRIPTION	QTY.
1	25011712	RH Curb Guard - Standard	1	5	951-001-007	Hex Nut 1/2-13	4
2	25011713	LH Curb Guard - Standard	1	6	25012722	RH Curb Guard With Wear Bar	1
3	950-003-051	Carriage Bolt 1/2-13 x 2 1/4 Gr. 5	4	7	25012723	LH Curb Guard With Wear Bar	1
4	952-001-004	Lock Washer 1/2 Inch	4				

SKID SHOE ASSEMBLY

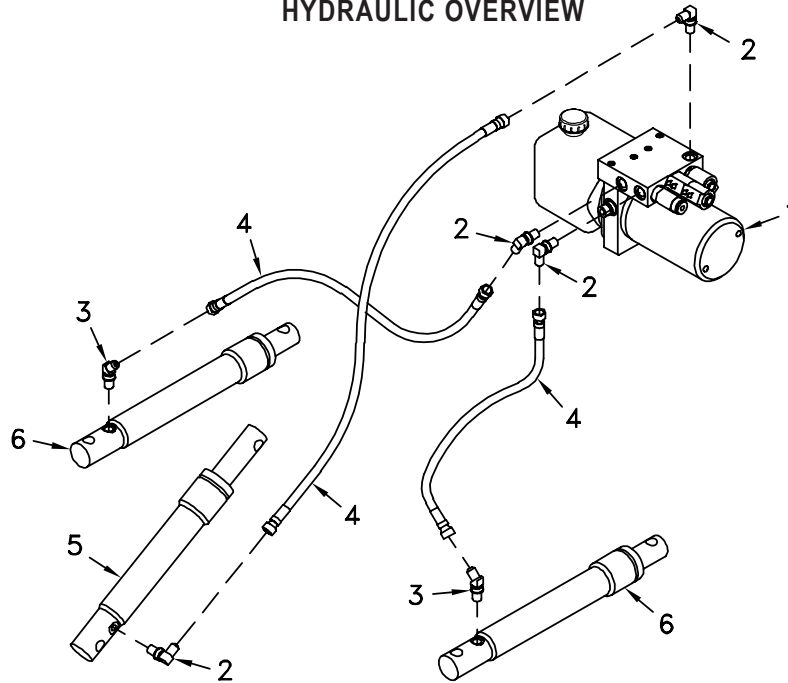


25011487 Skid Assembly

DWG. NO. 5708

REF. NO.	PART NUMBER	DESCRIPTION	QTY.	REF. NO.	PART NUMBER	DESCRIPTION	QTY.
1	25011478	Cast Iron Skid Shoe	1	4	25010048	1/2" Skid Spacer	1
2	25010319	Klik Pin	1	5	952-004-071	Machinery Bushing	4
3	25010049	1" Skid Spacer	3				

HYDRAULIC OVERVIEW

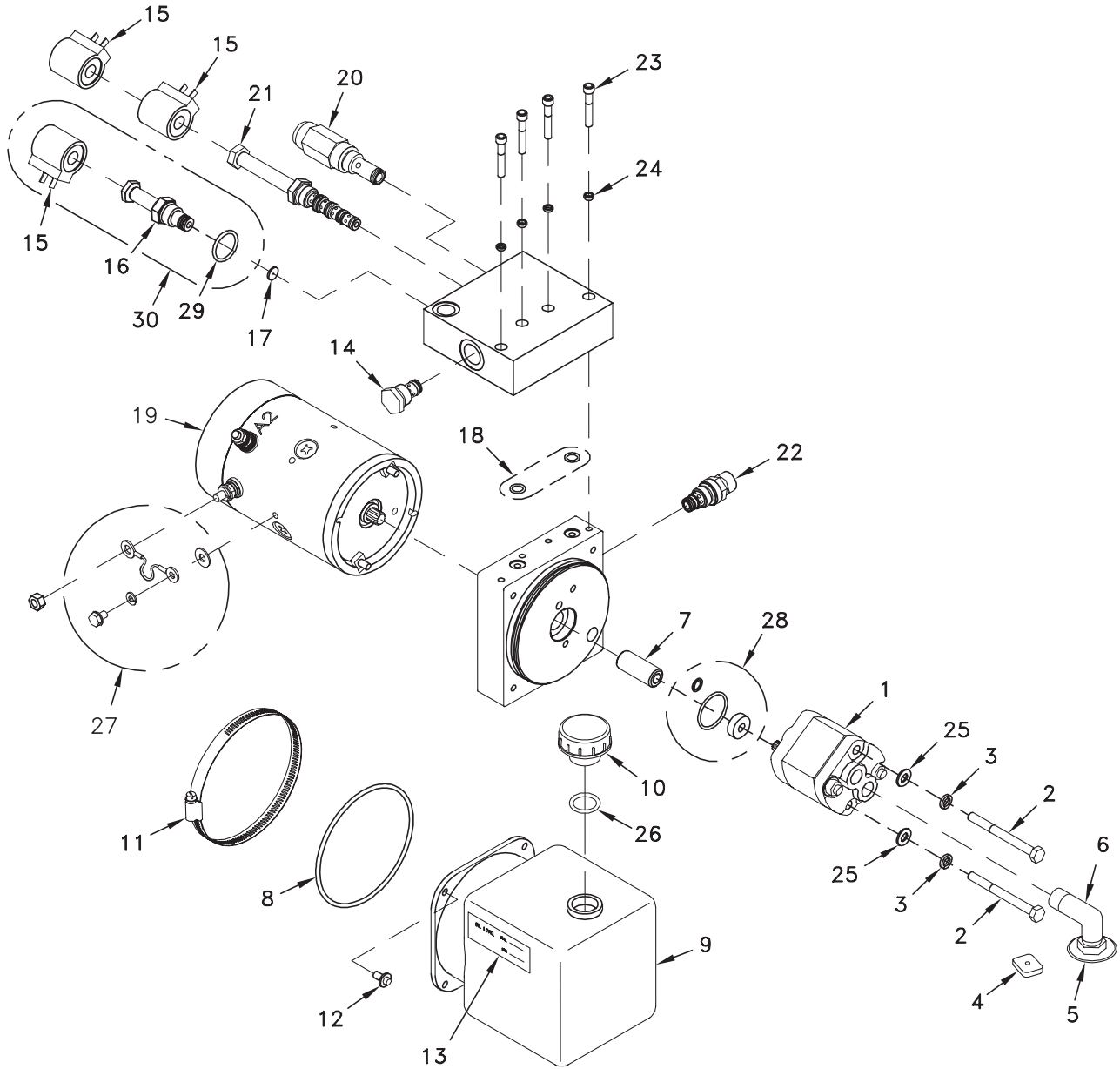


DWG. NO. 5710A

REF. NO.	PART NUMBER	DESCRIPTION	QTY.	REF. NO.	PART NUMBER	DESCRIPTION	QTY.
1	25014148	Power Unit- KTI (See Sec 12, Pg. 8)	1	4	957-010-005	Hydraulic Hose Assembly 1/4 x 32"	3
	25014033	Power Unit- SPX (See Sec 12, Pgs. 9-10)	1	5	25011581	1 1/2 x 9 Cylinder (See Sec. 12, Pg. 11)	1
2	956-005-022	90° Adapter 9/16 ORB x 9/16 JIC	4		25010524	1 1/2 x 8 Cylinder (See Sec. 12, Pg. 11)	1
3	956-005-023	45° Adapter 9/16 ORB x 9/16 JIC	2	6	25010523	1 1/2 x 10 Cylinder (See Sec. 12, Pg. 11)	2

POWER UNIT- KTI MODEL DC 45299RA

SEC
12

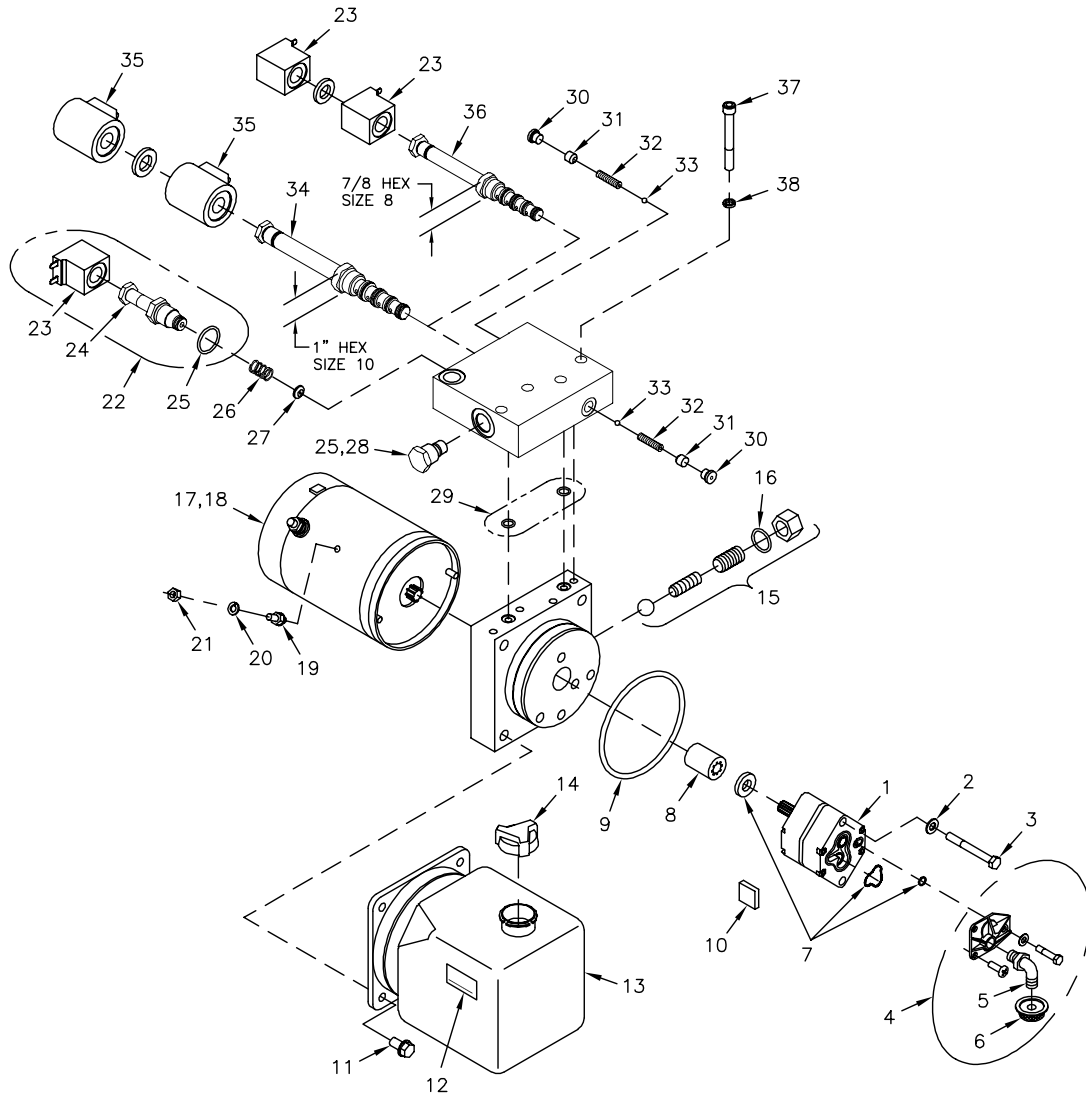


25014148 Power Unit KTI Model DC 45299RA

DWG NO. 7808A

REF. NO.	PART NUMBER	DESCRIPTION	QTY.	REF. NO.	PART NUMBER	DESCRIPTION	QTY.
1	25014202	Pump Assembly	1	16	25010544	Cartridge Valve	1
2	950-001-370	Hex Head Cap Screw 5/16-24 X 3 1/4 Gr. 5	2	17	25014120	Orifice Disc .062 DIA.	1
3	952-001-002	Lock Washer 5/16 Inch	2	18	25014188	O-Ring Kit	1
4	25010220	Plumbing Magnet	1	19	25014115	Motor 12VDC	1
5	25014130	Inlet Strainer	1	20	25014125	Crossover Relief Valve	1
6	25014129	3/8 NPT Elbow Aluminum	1	21	25014036	Cartridge Valve	1
7	25014131	Coupler	1	22	25014118	Relief Valve	1
8	25014128	O-Ring 113mm ID X 4mm CS	1	23	950-004-056	Socket Head Cap Screw 1/4-20 X 1 1/2	4
9	25014193	Reservoir	1	24	952-004-080	Lock Washer 1/4 X .363 OD	4
10	25014133	Breather Cap	1	25	033-12007	SAE Flat Washer 5/16 Inch	2
11	865-001-081	Hose Clamp 5 1/2 Inch	1	26	62502240	Breather O-Ring	1
12	950-002-020	Hex Head Flanged Whiz Lock Bolt 1/4-20 X1/2	4	27	25014320	Ground Wire Kit	1
13	25014124	Oil Level Label	1	28	25014331	Pump Seal Kit	1
14	25014121	Check Valve	1	29	25010992	O-Ring Kit	1
15	25014119	Solenoid Coil 10V	3	30	25011654	Release Valve Kit	1

POWER UNITS- SPX MODELS DB-7929-1, DB-20142423-1



SEC 12

25012775 Power Unit SPX Model DB-7929-1

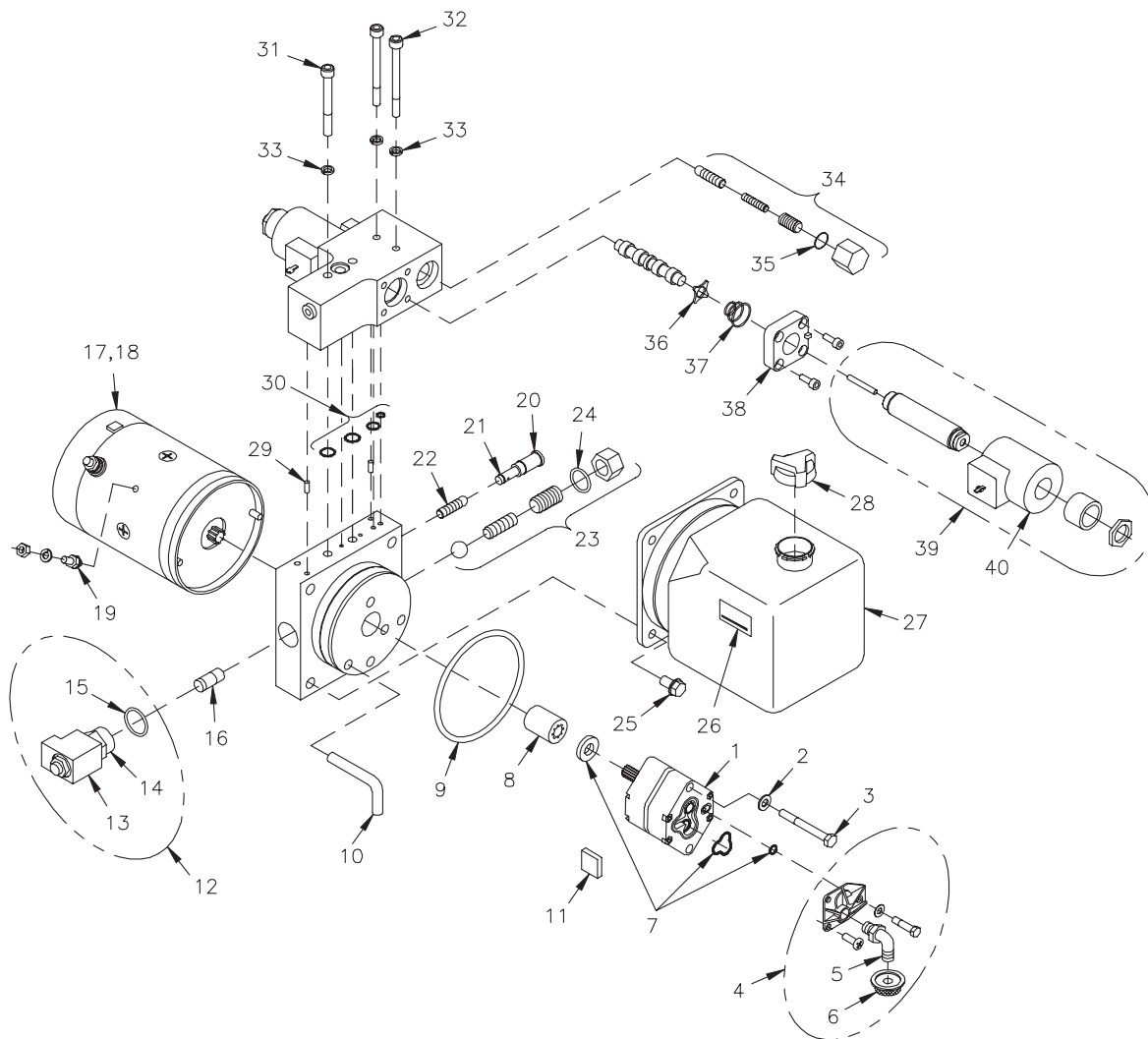
25014033 Power Unit SPX Model DB-20142423-1

DWG NO. 7736

REF. NO.	PART NUMBER	DESCRIPTION	QTY.	REF. NO.	PART NUMBER	DESCRIPTION	QTY.
1	25010239	Pump Assembly	1	20	952-001-001	Lock Washer 1/4 Inch	1
2	033-12007	SAE Flat Washer, 5/16 Inch	2	21	951-001-003	Hex Nut 1/4-20	1
3	950-001-099	Hex Head Cap Screw 5/16-24 x 2 3/4 Gr. 5	2	22	25011654	Release Valve Kit, Double Spade Coil	1
4	25010332	Inlet Plumbing Kit	1	23	25011667	Solenoid Coil 10V DC-Size 8	3
5	25010244	Plumbing Elbow	1	24	25010544	Cartridge Release Valve	1
6	25010221	Filter	1	25	25010992	O-Ring Kit	1
7	25010334	Pump O-Ring Kit	1	26	25012674	Spring	1
8	25010214	Coupling	1	27	25012677	Return Orifice	1
9	25010236	O-Ring	1	28	25010746	Check Valve	1
10	25010220	Plumbing Magnet	1	29	25013881	Manifold O-Ring Kit	1
11	950-004-071	Machine Screw #12-24 x 1/2 Hex Washer Head	4	30	25012686	ORB Plug	2
12	25010436	Decal - Fill Line	1	31	25012685	Set Screw 3/8-24 x .38 Self Lock	2
13	25010240	Plastic Tank	1	32	25012684	Spring	2
14	25010217	Plastic Breather	1	33	25012683	Ball .25 Diameter Steel	2
15	25010330	Adjustable Relief Valve Kit	1	34	25012688	Directional Valve-Size 10 (1" Hex)	1
16	25010518	Adjustable Relief Valve O-Ring	1	35	25012687	Solenoid Coil 10V DC-Size 10	2
17	25010230	Motor 12V DC	1	36	25014036	Directional Valve - Size 8 (7/8" Hex)	1
18	25010337	Motor Brush Kit	1	37	950-004-115	Socket Head Cap Screw W/Thread Lock 1/4-20 x 1 3/4	4
19	25012673	Ground Stud	1	38	952-004-080	Lock Washer 1/4 x .363 O.D.	4

POWER UNIT- SPX MODEL DB-1164

SEC
12

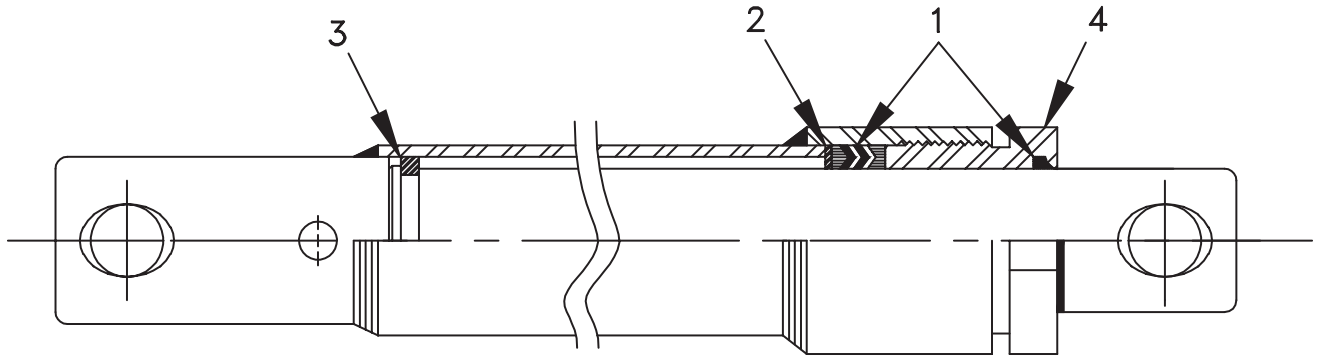


25011668 Power Unit SPX Model DB-1164

DWG NO. 3502B

REF. NO.	PART NUMBER	DESCRIPTION	QTY.	REF. NO.	PART NUMBER	DESCRIPTION	QTY.
1	25010239	Pump Assembly	1	20	25010228	Check Valve Assembly	1
2	033-12007	SAE Flat Washer 5/16 Inch	2	21	25010477	Check Valve O-Ring Kit	1
3	950-001-099	Hex Head Cap Screw 5/16-24 x 2 3/4 Gr. 5	2	22	25010241	Spring & Ball Assembly	1
4	25010332	Inlet Plumbing Kit	1	23	25010330	Adjustable Relief Valve Kit	1
5	25010244	Plumbing Elbow	1	24	25010518	Adjustable Relief Valve O-Ring	1
6	25010221	Filter	1	25	950-004-071	Machine Screw #12-24 x 1/2 Hex Washer Head	4
7	25010334	Pump O-Ring Kit	1	26	25010436	Decal - Fill Line	1
8	25010214	Coupling	1	27	25010240	Plastic Tank	1
9	25010236	O-Ring	1	28	25010217	Plastic Breather	1
10	25010549	Return Tube	1	29	25010235	Pin 1/8 x 1/4	3
11	25010220	Plumbing Magnet	1	30	25010335	Directional Valve O-Ring Kit	1
12	25011654	Release Valve Kit, Double Spade Coil	1	31	950-004-114	Socket Head Cap Screw W/Thread Lock 1/4-20 x 2 1/8	2
	25011920	Release Valve Kit, Double Spade W/ Ground Wire	1	32	950-004-113	Socket Head Cap Screw W/Thread Lock #12-24 x 2 1/2	2
13	25011667	Solenoid Coil, Double Spade	1	33	952-004-080	Lock Washer 1/4 x .363 O.D.	4
	25011917	Solenoid Coil, Double Spade W/Ground Wire	1	34	25010336	Crossover Relief Valve Kit	2
14	25010544	Cartridge Release Valve	1	35	25010519	Crossover Relief Valve O-Ring	2
15	25010992	O-Ring Kit	1	36	25012636	Shim	2
16	25010542	Flow Control Valve	1	37	25012637	Spring	2
17	25010230	Motor 12V DC	1	38	25012639	Mount Block With O-Ring	2
18	25010337	Motor Brush Kit	1	39	25010333	Directional Valve Coil Kit	2
19	25012673	Ground Stud	1	40	25010541	Coil	2

HYDRAULIC CYLINDERS

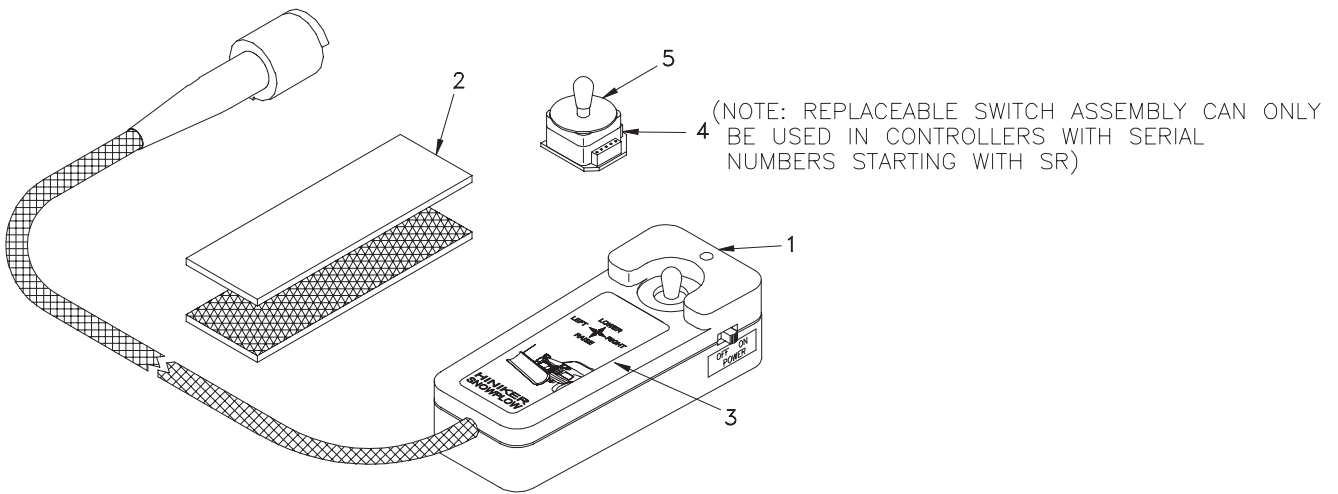


25010523 1 1/2 x 10 Cylinder
 25011581 1 1/2 x 9 Cylinder
 25010524 1 1/2 x 8 Cylinder

DWG. NO. 5711

REF. NO.	PART NUMBER	DESCRIPTION	QTY.	REF. NO.	PART NUMBER	DESCRIPTION	QTY.
1	25010464	Seal Kit	1	3	25010017	Guide Ring	1
2	25010016	Seat Ring	1	4	25010018	Packing Nut	1

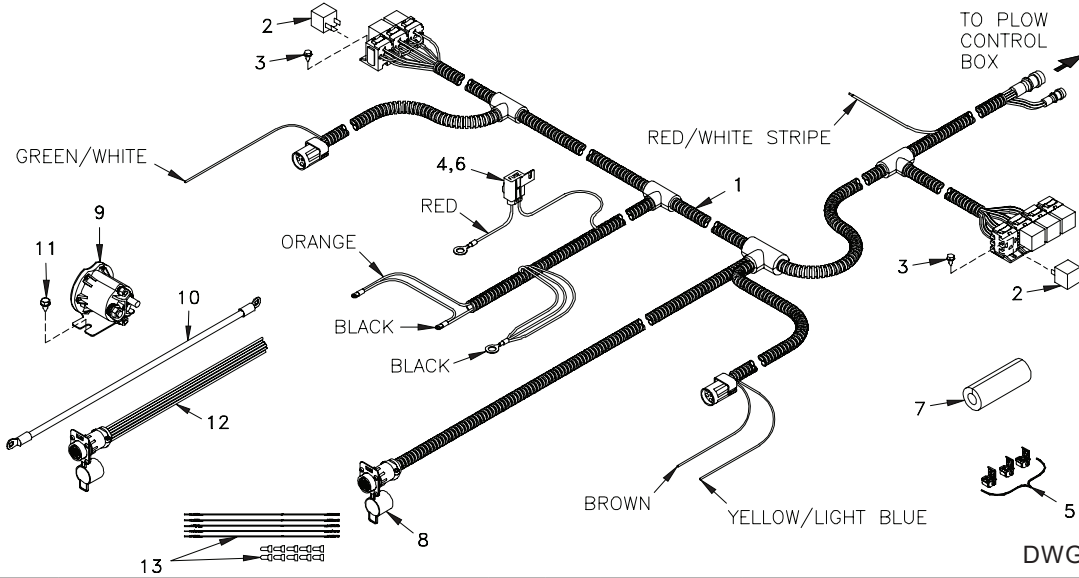
JOYSTICK CONTROLLER



DWG. NO. 5925

REF. NO.	PART NUMBER	DESCRIPTION	QTY.	REF. NO.	PART NUMBER	DESCRIPTION	QTY.
1	36014020	Joystick Straight Plow W/Replaceable Switch	1	4	36014019	Replaceable Switch Assembly	1
2	39108005	Hook & Loop Assembly	1	5	36716033	Gasket	1
3	39302141	Decal, Straight Plow Joystick, 2 Sided	1				

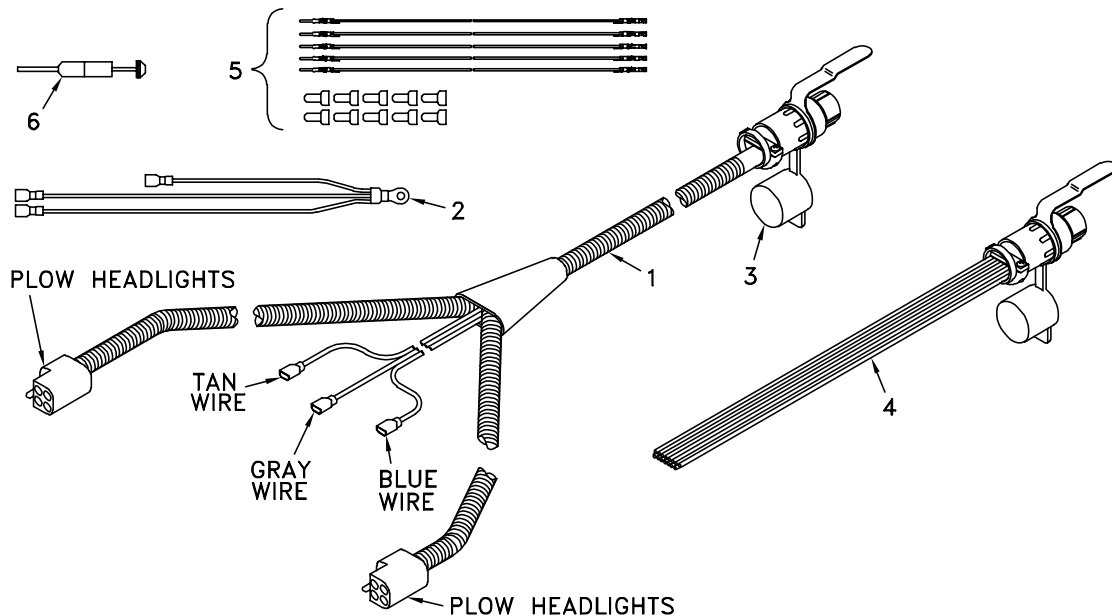
UNDERHOOD WIRING HARNESS - MODELS 702, 752, 702SS, 752SS



DWG. NO. 6749

REF. NO.	PART NUMBER	DESCRIPTION	QTY.	REF. NO.	PART NUMBER	DESCRIPTION	QTY.
1	38813097	Underhood Harness With 16 Pin CPC (Includes Relays And Fuse)	1	7	39107001	Foam Grommet 4" Long	1
2	38350010	Headlight/Accessory Relay	7	8	36716043	Dust Cap	1
3	031-30078	S-Tap Screw #8-18 x 1/2 Slotted Hex Head	4	9	38350015	Motor Solenoid Sealed	1
4	39207031	10 Amp Fuse	1	10	38813012	Red Solenoid Cable 4 Ga. 24 Inch	1
5	38610104	Sealed Quick Connect	3	11	950-005-004	S-Tap Screw 1/4-20 x 1/2 Hex Washer Head	2
6	38400012	Cover, Fuse Holder	1	12	38813106	Repair Pigtail, AMP CPC Grill	A/R
				13	38813108	Repair Kit, AMP CPC (5 Wires)	A/R

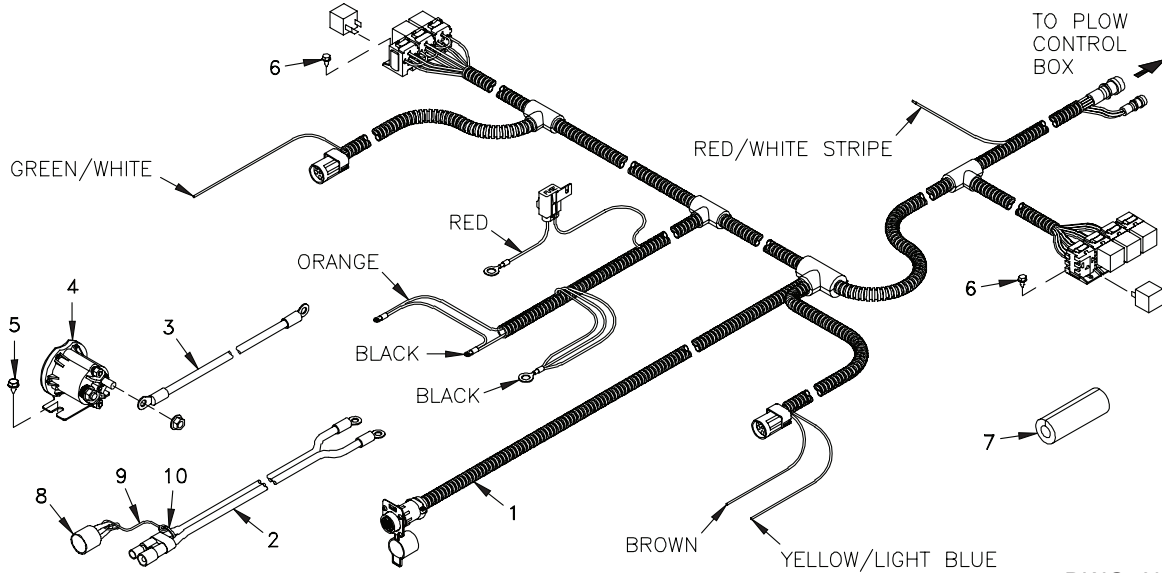
PLOW WIRING HARNESS - MODELS 702, 752, 702SS, 752SS



DWG. NO. 6746A

REF. NO.	PART NUMBER	DESCRIPTION	QTY.	REF. NO.	PART NUMBER	DESCRIPTION	QTY.
1	38813099	4 Function External Harness W/CPC Connector	1	4	38813107	Repair Pigtail, AMP CPC Plow	A/R
2	38813094	Ground Harness 1/4" Ring	1	5	38813108	Repair Kit, AMP CPC (5 Wires)	A/R
	38813160	Ground Harness 5/16" Ring	1	6	38640000	Pin/ Socket Extraction Tool	1
3	36716042	Dust Cap	1				

UNDERHOOD WIRING REMOUNT KIT W/CPC - MODELS 702 - 752, 702SS - 752SS



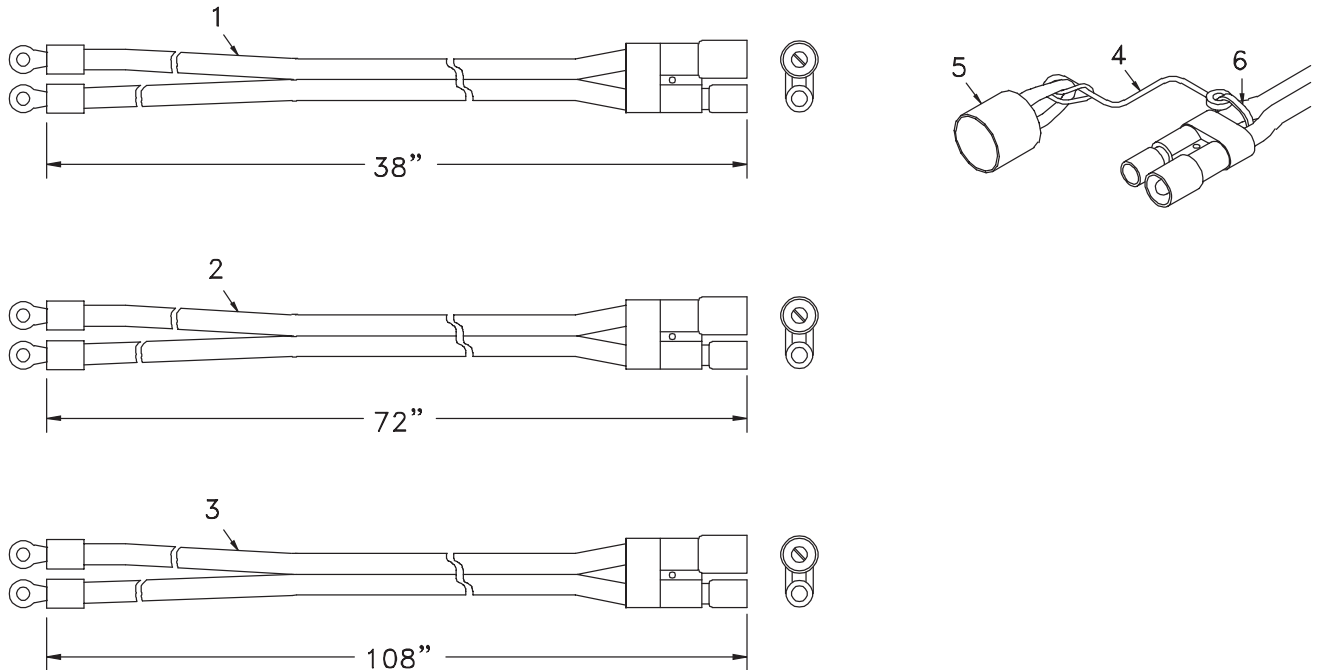
SEC 12

25013295 Remount Kit

DWG. NO. 6993

REF. NO.	PART NUMBER	DESCRIPTION	QTY.	REF. NO.	PART NUMBER	DESCRIPTION	QTY.
1	38813097	Underhood Harness W/16 Pin CPC	1	6	031-30078	Self Tapping Screw #8-18 x 1/2 Slotted Hex Head	4
2	38813066	Cable Battery Power 9 Ft	1	7	39107001	Foam Grommet	1
3	38813012	Cable, Solenoid 24"	1	8	36716002	Dust Cap	1
4	38350015	Motor Solenoid	1	9	36716025	Nylon Lanyard 8"	1
5	950-005-004	Self Tapping Screw 1/4-20 x 1/2 Hex Washer Head	2	10	367-001-014	Cable Tie 8"	1

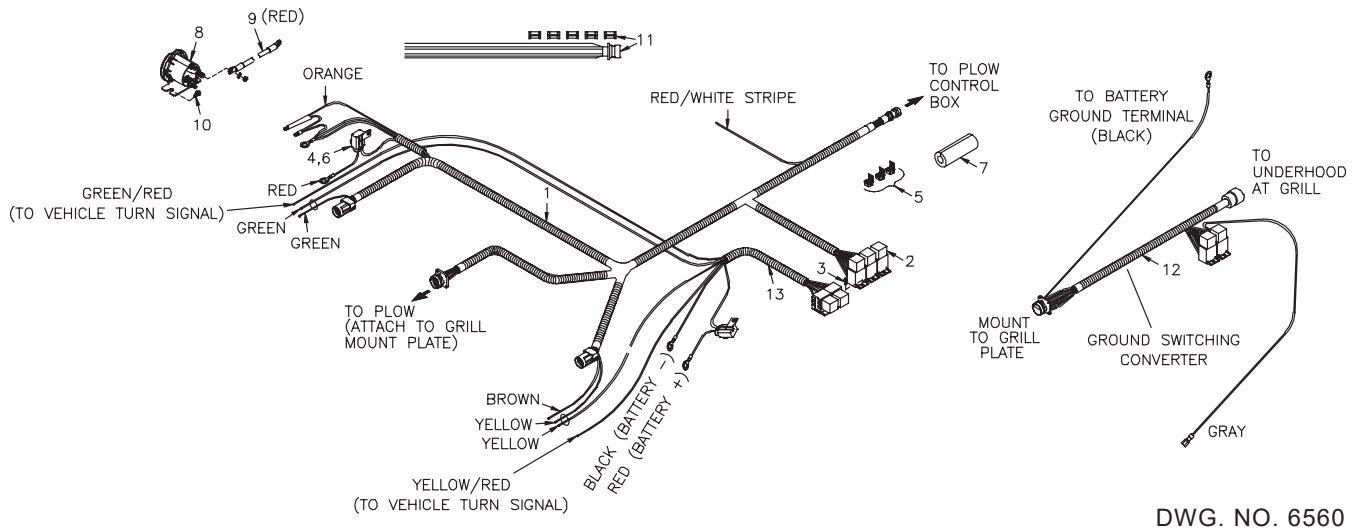
POWER CABLES AND DUST CAPS



DWG. NO. 6744

REF. NO.	PART NUMBER	DESCRIPTION	QTY.	REF. NO.	PART NUMBER	DESCRIPTION	QTY.
1	38812008	Battery Power Cable - Snow Plow	1	4	36716025	Nylon Lanyard 8"	A/R
2	38813007	Battery Power Cable - Truck 6 Ft.	1	5	36716002	Large Dust Cap	A/R
3	38813066	Battery Power Cable - Truck 9 Ft.	1	6	367-001-014	Cable Tie 8"	A/R

UNDERHOOD WIRING HARNESS - MODELS 700, 750

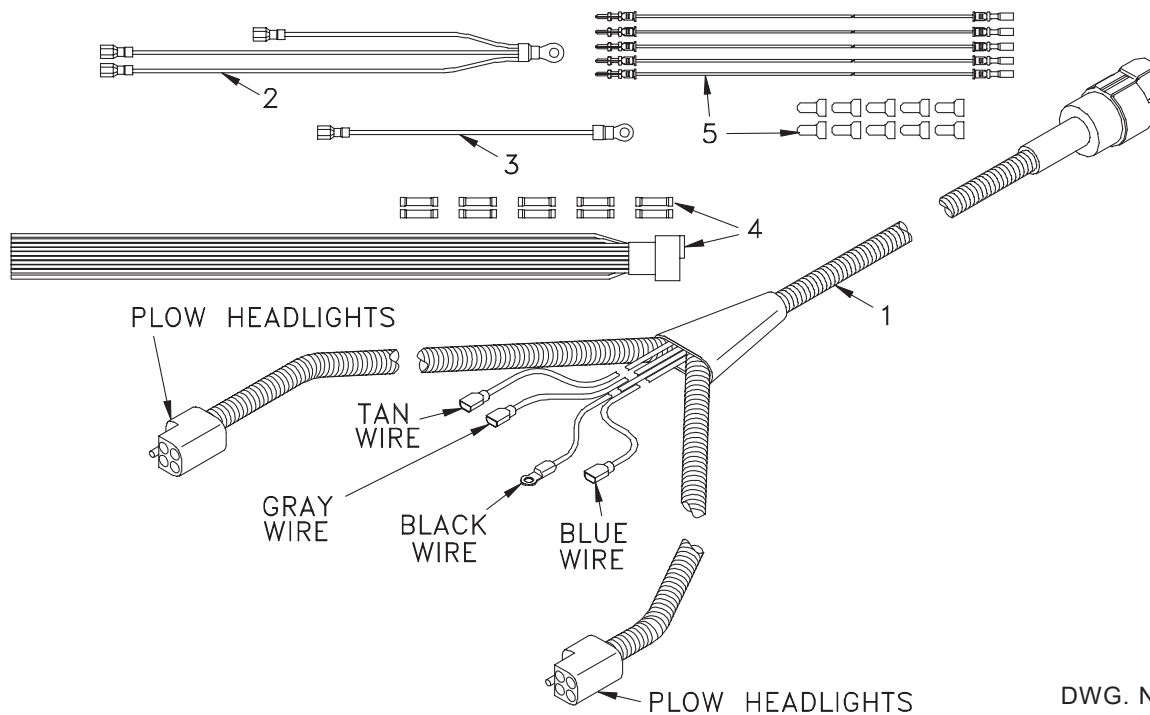


DWG. NO. 6560

SEC 12

REF. NO.	PART NUMBER	DESCRIPTION	QTY.	REF. NO.	PART NUMBER	DESCRIPTION	QTY.
1	38813034	Underhood Snowplow Cable Assembly (Includes Relays And Fuse)	1	7	39107001	Foam Grommet 4" Long	1
2	38350010	Headlight/Accessory Relay	3	8	38350015	Motor Solenoid, Sealed	1
3	031-30078	Self Tap Screw #8-18 x 1/2 Slotted Hex Head	3	9	38813012	Solenoid Cable, Red 4 Ga. 24 Inch	1
4	39207031	10 Amp Fuse	1	10	950-005-004	Self Tap Screw 1/4-20 x 1/2 Hex Washer Head	2
5	38610104	Sealed Wire Tap Connector	3	11	38813074	10 Pin Grill, Pigtail Repair Kit	A/R
6	38400012	Cover, Fuse Holder	1	12	38813084	Adapter GSC 99-02 Dodge & GMC	1
				13	38813078	Adapter Kit, Turn Signal	1

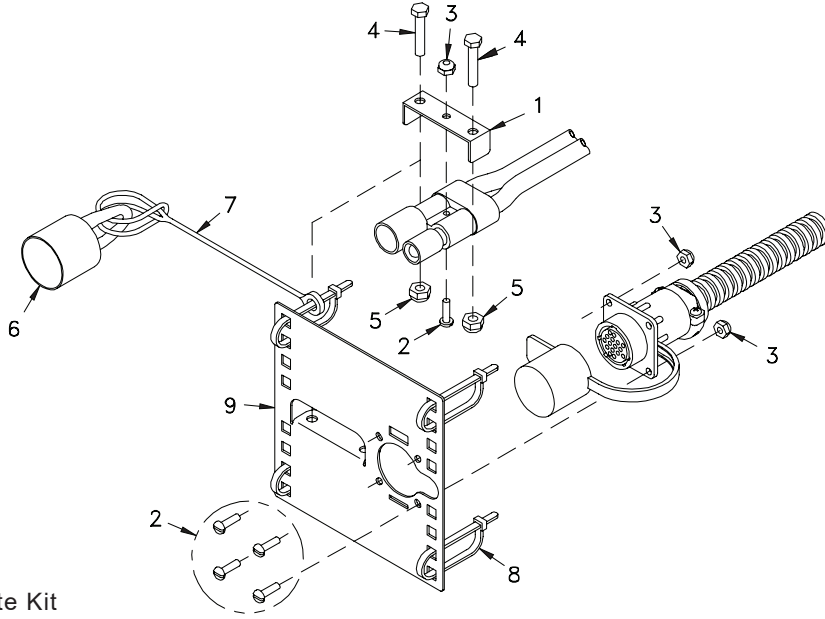
PLOW WIRING HARNESS - MODELS 700, 750



DWG. NO. 6558

REF. NO.	PART NUMBER	DESCRIPTION	QTY.	REF. NO.	PART NUMBER	DESCRIPTION	QTY.
1	38813036	External Cable Assembly - Snow Plow	1	4	38813075	10 Pin Plow Pigtail Repair Kit	A/R
2	38813094	Ground Harness (Use On Power Unit DB-7929-1)	1	5	38813013	Repair Kit, 10 Term W/Wire	1
3	38813069	Ground Wire (Use On Power Unit DB-1164)	1				

GRILL MOUNT PLATE

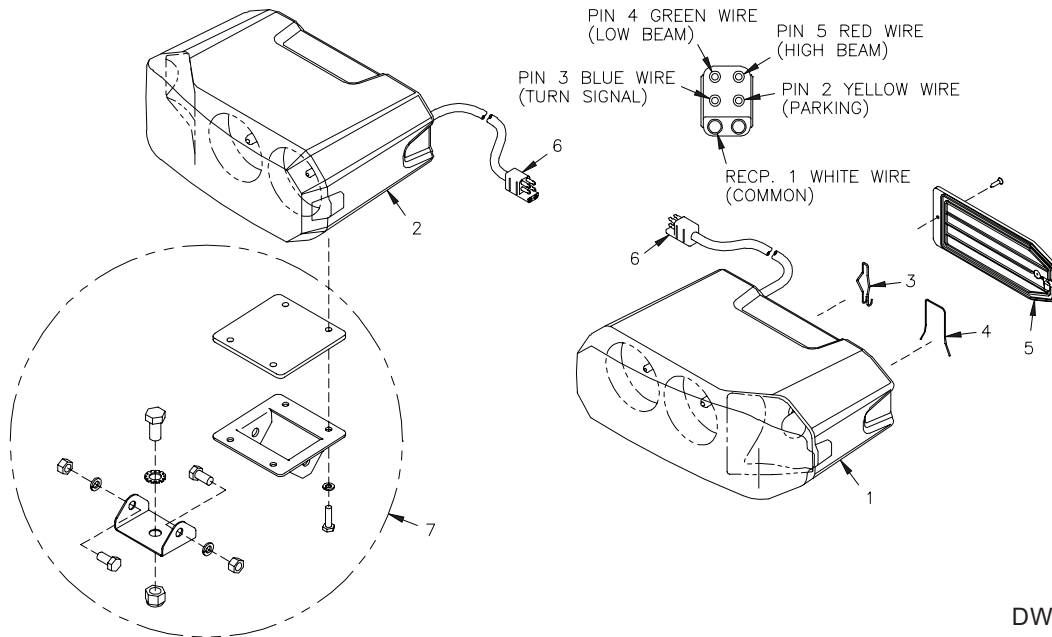


25013750 Mount Plate Kit

DWG. NO. 7403

REF. NO.	PART NUMBER	DESCRIPTION	QTY.	REF. NO.	PART NUMBER	DESCRIPTION	QTY.
	25013750	Complete Mount Plate Kit (Items 1-9)		5	392-010-010	Lock Nut #10-24 Nylon Insert	2
1	25011037	Clamp	1	6	36716002	Dust Cap	A/R
2	950-004-033	Machine Screw #6-32 x 1/2" Slotted Pan Head	5	7	36716025	Nylon Lanyard 8"	1
3	951-003-014	Lock Nut #6-32 Nylon Insert	5	8	367-001-011	Cable Tie 14"	4
4	950-004-058	Machine Screw #10-24 x 1" Hex Head	2	9	25013751	Plug Mount Plate	1

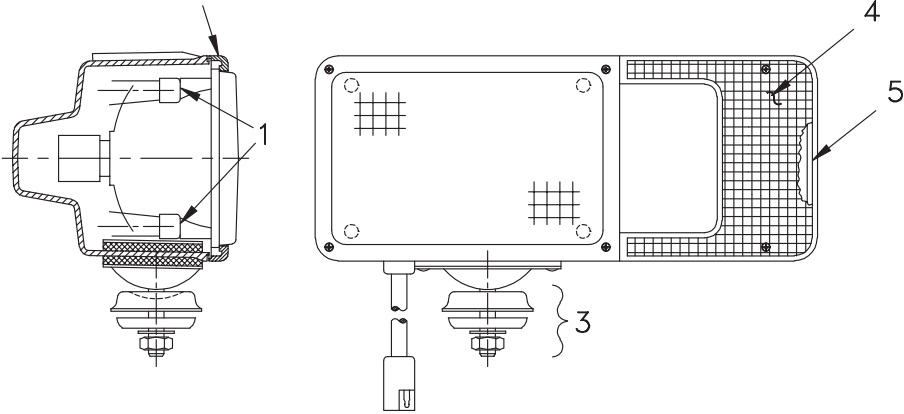
COMPOSITE HEADLAMPS



DWG. NO. 6899

REF. NO.	PART NUMBER	DESCRIPTION	QTY.	REF. NO.	PART NUMBER	DESCRIPTION	QTY.
1	25013250	LH Light Assembly	1	7	25013249	Hardware Kit-Upper & Lower (For 2 Lights)	1
2	25013251	RH Light Assembly	1		N/A	High Beam Headlight Bulb-One #H1 12V, 55W	1
3	25012416	Spring Clip, High Beam	1		N/A	Low Beam Headlight Bulb-One #H7 12V, 55W	1
4	25012415	Spring Clip, Low Beam	1		N/A	Turn Signal/Parking Bulb-One #1157 Heavy Duty	1
5	25013247	Back Panel	1			Double Contact 32/3 C.P.	
6	25013248	Wire Harness	1				

2 SEALED BEAM HEADLAMPS



PIN 5 RED WIRE (HIGH BEAM) PIN 2 YELLOW WIRE (PARKING)
 RECP. 1 WHITE WIRE (COMMON)
 PIN 4 GREEN WIRE (LOW BEAM) PIN 3 BLUE WIRE (TURN SIGNAL)

DWG. NO. 3893

REF. NO.	PART NUMBER	DESCRIPTION	QTY.	REF. NO.	PART NUMBER	DESCRIPTION	QTY.
	25010918	LH Light Assy (5 Pin Connector)		5	25010731	Head Lamps Lens Gasket	1
	25010919	RH Light Assy (5 Pin Connector)			N/A	Sealed Beam - HP6545 12VDC 4.00" x 6.50" (100 mm x 165 mm)	1
1	25010727	Head Lamp Bumper	4			Rectangular Hi/Lo (65W/45W)	
2	25010728	Head Lamp Rim	1			Turn Signal/Park Bulb One #1157 Heavy Duty	1
3	25010729	Head Lamp Swivel Kit	1			Double Contact 32/3 C.P.	
4	25010730	Head Lamp Lens	1				