

SECTION 8

POLY TRIP EDGE

C-PLOW

FOR SERIES 8800, 8801, 8900 & 8901

PLOW COMPONENTS

- PAGE 2 MOLDBOARD ASSEMBLY**
- PAGE 4 QUADRANT/PUSH FRAME ASSEMBLY**
- PAGE 5 LIFT FRAME ASSEMBLY**
- PAGE 6 POWER UNIT COVER ASSEMBLY
WING KIT**
- PAGE 7 RUBBER CUTTING EDGES
1/2" THICK CUTTING EDGES**
- PAGE 8 WEAR PLATE KIT
CURB GUARD KITS**

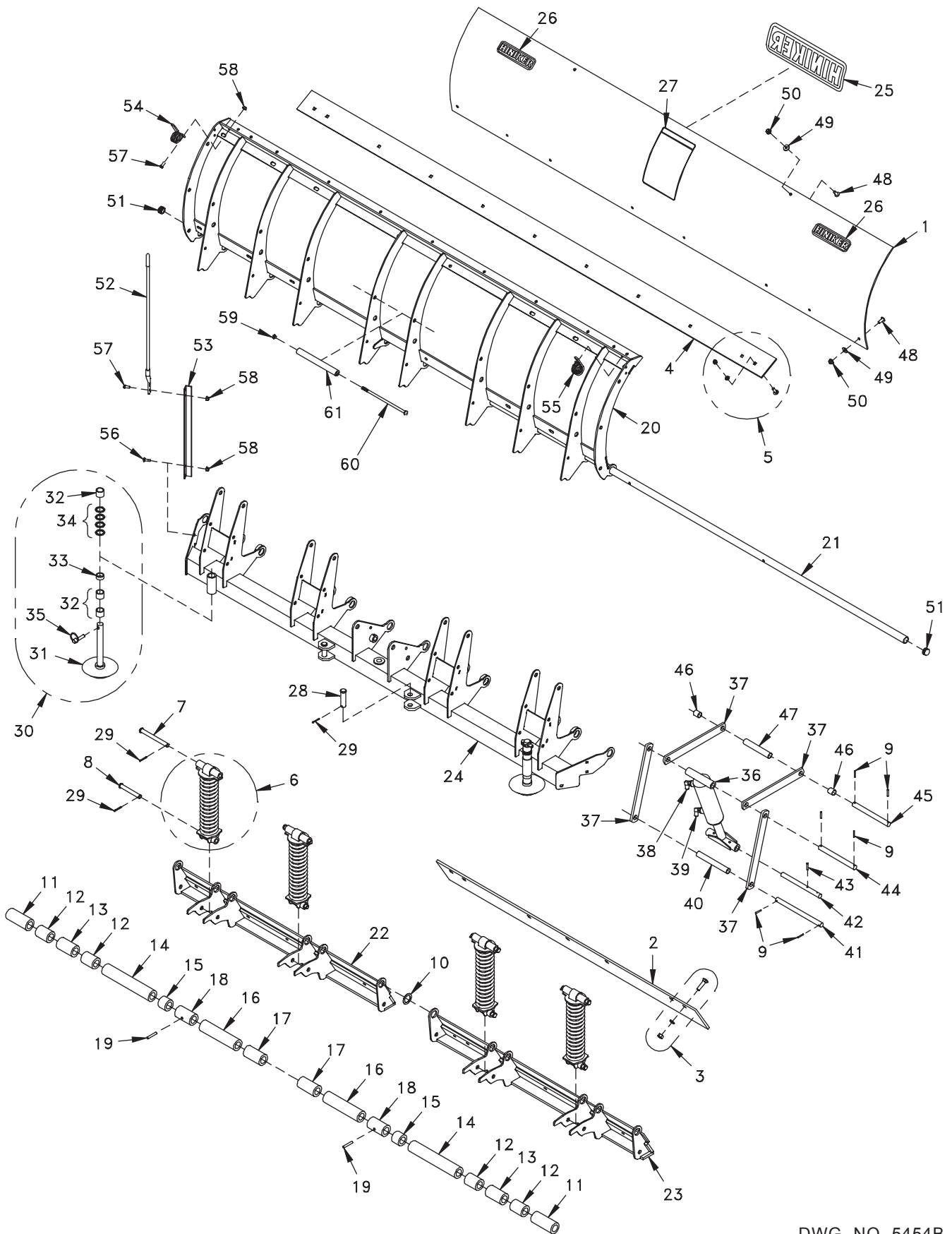
HYDRAULIC COMPONENTS

- PAGE 9 HYDRAULIC OVERVIEW
1 3/4 X 9 AND 1 1/2 X 10 HYDRAULIC CYLINDERS**
- PAGE 10 POWER UNIT - SPX MODEL DB-7885**
- PAGE 11 POWER UNIT - MTE MODEL S203T-5110**
- PAGE 12 POWER UNIT - SPX MODELS DB-1443, DB-1599**
- PAGE 13 2 1/2 X 6 HYDRAULIC CYLINDER**

ELECTRICAL COMPONENTS

- PAGE 13 JOYSTICK CONTROLLER**
- PAGE 14 UNDERHOOD WIRING HARNESS
POWER CABLES**
- PAGE 15 PLOW WIRING HARNESS
GRILL MOUNT PLATE**
- PAGE 16 COMPOSITE HEADLAMPS
SEALED BEAM HEADLAMPS**

MOLDBOARD ASSEMBLY

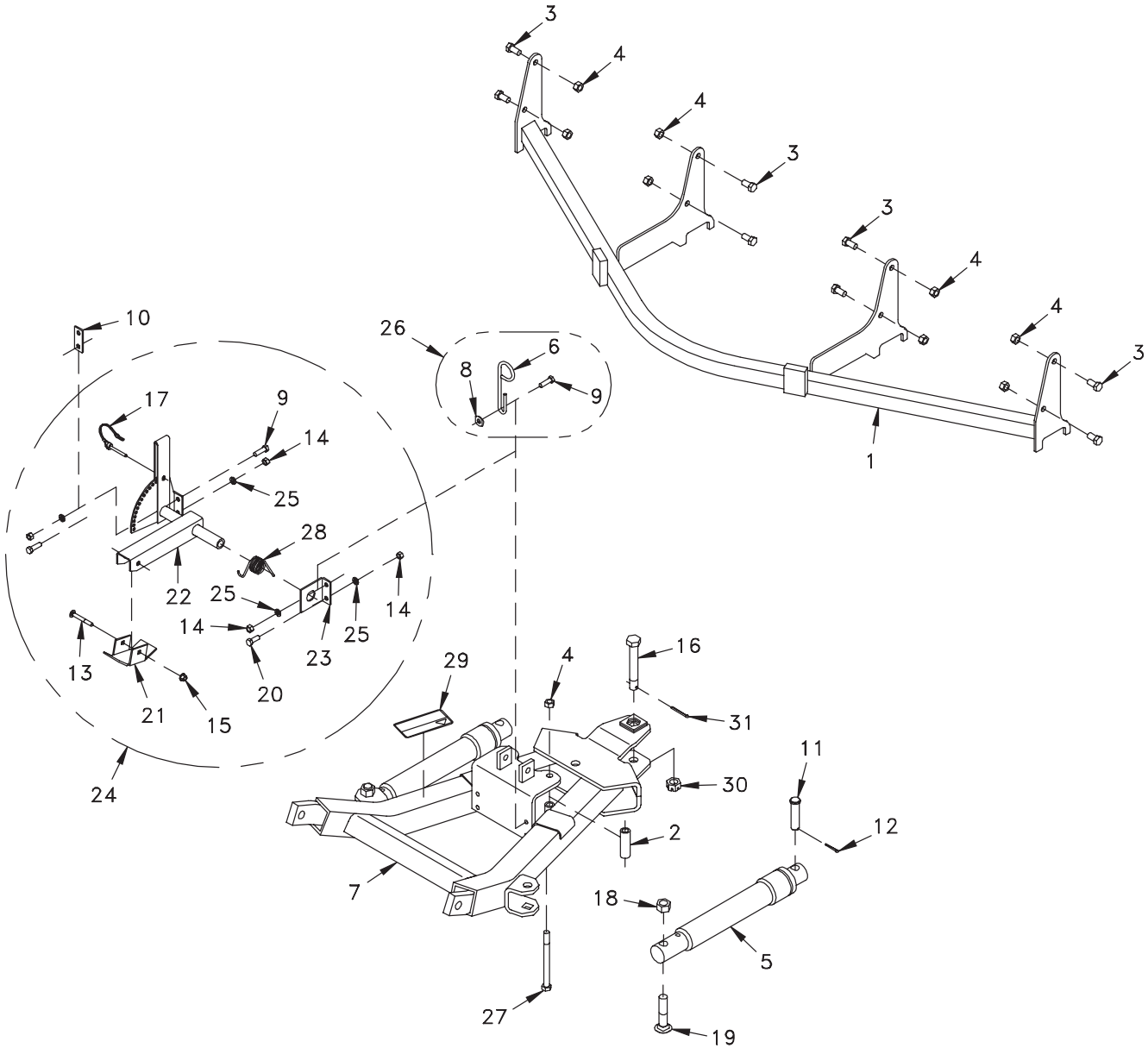


8 STEPS

POLY C-PLOW 8800-8801-8900-8901

REF. NO.	PART NUMBER	DESCRIPTION	QTY.	REF. NO.	PART NUMBER	DESCRIPTION	QTY.
1	25012196	8 Ft Poly Moldboard/Decal Assembly (Model 8801 Only)	1	24	25011610	Bottom Frame Weldment 8 Ft. Plow (Model 8801 Only)	1
	25012195	9 Ft Poly Moldboard/Decal Assembly (Model 8901 Only)	1		25011609	Bottom Frame Weldment 9 Ft. Plow (Model 8901 Only)	1
	25011329	8 Ft. Poly Moldboard (Model 8800 Only)	1		25011434	Bottom Frame Weldment 8 Ft. Plow (Model 8800 Only)	1
	25011330	9 Ft. Poly Moldboard (Model 8900 Only)	1		25011433	Bottom Frame Weldment 9 Ft. Plow (Model 8900 Only)	1
2	25011326	48" Cutting Edge For 8 Ft. Plow	2	25	79202024	Hiniker Decal (Model 8800, 8900 Only)	1
	25011328	54" Cutting Edge For 9 Ft. Plow	2	26	85501786	Hiniker Decal (8900 & 8900 Only)	1
3	25011578	Bolt Kit, Lower Cutting Edge	1		25011684	Hiniker Decal (8801 & 8901 Only)	2
4	25011437	Upper Cutting Edge 8 Ft. Plow	1	27	25012270	Snowplow Removal Decal	1
	25011436	Upper Cutting Edge 9 Ft. Plow	1	28	953-002-032	Clevis Pin 3/4 x 3	2
5	25011579	Bolt Kit, Upper Cutting Edge	1	29	035-42033	Cotter Pin 5/32 x 1 1/4 (Models 8801, 8901 Only)	10
6	25011373	Spring Assembly	4		953-003-027	Spring Pin 3/16 x 1 1/4 (Models 8800 & 8900 Only)	16
7	953-002-045	Clevis Pin 5/8 x 6 (Models 8801, 8901 Only)	4	30	25011487	Cast Iron Skid Assembly	2
	25011344	Top Pin (Models 8800, 8900 Only)	4	31	25011478	Cast Iron Skid	2
8	953-002-044	Clevis Pin 5/8 x 4 3/8 (Model 8801, 8901 Only)	4	32	25010049	1" Skid Spacer	6
	25011343	Bottom Pin (Models 8800, 8900 Only)	4	33	25010048	1/2" Skid Spacer	2
9	953-003-027	Slotted Spring Pin 3/16 x 1 1/4	6	34	952-004-071	Machine Bushing 1 5/32 x 1 1/2 x 10 Ga.	8
10	952-004-058	Machine Bushing 1 9/32 x 1 7/8 x 14 Ga.	1	35	25010319	Klik Pin	2
11	25011621	Bushing 4 19/32" Long Poly (Model 8801 Only)	2	36	25011400	2 1/2 x 6 Cylinder Weldment (See Sec. 8, Page 13)	1
	25011620	Bushing 10 19/32" Long Poly (Model 8901 Only)	2	37	25011447	Link	4
	25011438	Bushing 4 9/32" Long Poly (Model 8800 Only)	2	38	956-005-025	90° Restricted Adapter Fitting 9/16 ORB x 9/16 JIC	1
	25011443	Bushing 10 9/32" Long Poly (Model 8900 Only)	2	39	956-005-022	90° Adapter 9/16 ORB x 9/16 JIC	1
12	25011617	Bushing 2 19/32" Long Poly (Models 8801, 8901 Only)	4	40	25011449	Spacer, 6 15/16" Long	1
	25011444	Bushing 2 7/16" Long Poly (Models 8800, 8900 Only)	4	41	25011451	Pin 9 9/16" Long	1
13	25011338	Bushing 3 3/8" Long Poly	2	42	25011452	Pin 8 3/8" Long	1
14	25011618	Bushing 10 3/4" Long Poly	2	43	953-003-018	Slotted Spring Pin 1/4 x 1 1/4	1
15	25011576	Bushing 1 9/16" Long Poly (Models 8801, 8901 Only)	2	44	25011446	Pin 8 3/16" Long	1
	25011440	Bushing 1 7/16" Long Poly (Models 8800, 8900 Only)	2	45	25011445	Pin 10 3/16" Long	1
16	25011619	Bushing 7 15/16" Long Poly	2	46	25011448	Spacer 1 " Long	2
17	25011622	Bushing 3 21/32" Long Poly (Models 8801,8901 Only)	2	47	25011450	Spacer 5 3/4" Long	1
	25011442	Bushing 3 17/32" Long Poly (Models 8800, 8900 Only)	2	48	700-11704	Machine Screw 3/8-16 x 1 Slotted Truss Hd (8801, 8901)	10
18	25011341	Bushing 3 3/8" Long Steel	2		950-004-100	Mach Screw 3/8-16 x 1 1/4 Slotted Truss Hd (8800, 8900)	10
19	30009024	Slotted Spring Pin 3/8 x 2	2	49	952-002-013	Flat Washer 3/8 Inch, Stainless Steel	10
20	25011611	Rib Weldment 8 Ft. Plow (Model 8801 Only)	1	50	951-005-003	Lock Nut 3/8-16 Mac Lock	10
	25011612	Rib Weldment 9 Ft. Plow (Model 8901 Only)	1	51	25012375	End Cap	2
	25011459	Rib Weldment 8 Ft. Plow (Model 8800 Only)	1	52	25010118	Red Blade Guide	2
	25011456	Rib Weldment 9 Ft. Plow (Model 8900 Only)	1	53	25011623	Marker Extension	2
21	25012625	Trip Pin-8 Ft. Plow	1	54	25010854	LH Torsion Spring (8800 & 8900 Only)	1
	25012629	Trip Pin-9 Ft. Plow	1	55	25010855	RH Torsion Spring (8800 & 8900 Only)	11
22	25011597	LH Trip Edge Weldment 8 Ft. Plow (Model 8801 Only)	1	56	030-16041	Carriage Bolt 5/16-18 x 3/4 Gr. 5	4
	25011596	LH Trip Edge Weldment 9 Ft. Plow (Model 8901 Only)	1	57	950-001-113	Hex Head Cap Screw 5/16-18 x 3/4 Gr. 5	A/R
	25011388	LH Trip Edge Weldment 8 Ft. Plow (Model 8800 Only)	1	58	951-005-036	Lock Nut 5/16 Mac Lock	A/R
	25011387	LH Trip Edge Weldment 9 Ft. Plow (Model 8900 Only)	1	59	10304	Lock Nut 1/2-13 2-Way	1
23	25011598	RH Trip Edge Weldment 8 Ft. Plow (Model 8801 Only)	1	60	950-001-274	Hex Head Cap Screw 1/2-13 x 10 Gr. 5	1
	25011595	RH Trip Edge Weldment 9 Ft. Plow (Model 8901 Only)	1	61	25012717	Pipe	1
	25011389	RH Trip Edge Weldment 8 Ft. Plow (Model 8800 Only)	1				
	25011381	RH Trip Edge Weldment 9 Ft. Plow (Model 8900 Only)	1				

QUADRANT/PUSH FRAME ASSEMBLY

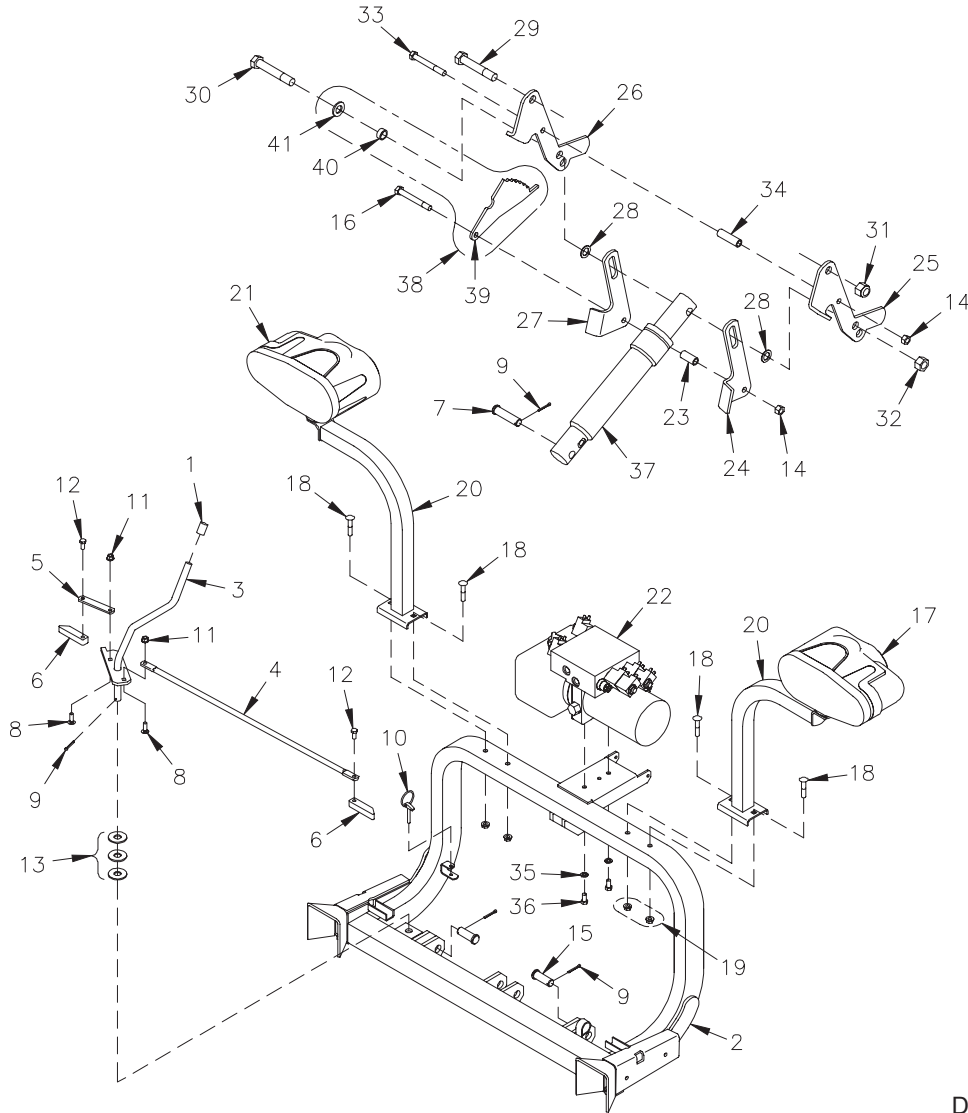


DWG. NO. 5296B

REF. NO.	PART NUMBER	DESCRIPTION	QTY.	REF. NO.	PART NUMBER	DESCRIPTION	QTY.
1	25011349	Quadrant Weldment (8800 & 8900 Only)	1	16	25012614	Drilled Bolt 3/4-10 x 5 Gr. 5	1
	25011613	Quadrant Weldment (8801 & 8901 Only)	1	17	25010797	Tab Lock Pin 1/4 x 2	1
2	25011477	2 13/16 Bushing	2	18	951-005-037	Lock Nut 3/4-10 2-Way	2
3	950-001-111	Hex Head Cap Screw 1/2-13 x 1 1/4 Gr. 5	8	19	030-16198	Carriage Bolt 3/4-10 x 3 1/2 Gr. 5	2
4	10304	Lock Nut 1/2-13 2-Way	10	20	950-001-105	Hex Head Cap Screw 3/8-16 x 1 Gr. 5	1
5	25010523	1 1/2 x 10 SA Cylinder (See Sec. 8 Pg. 9)	2	21	25010801	Stand Foot	1
6	25011075	Hose Loop	1	22	25010800	Lever Weldment	1
7	25012483	Push Frame Weld / Decal Assembly	1	23	25010798	Bracket	1
8	25011074	Flanged Washer 3/8 Inch	1	24	25011050	Park Stand Kit	1
9	950-001-106	Hex Head Cap Screw 3/8-16 x 1 1/4 Gr. 5	3	25	952-001-007	Lock Washer 3/8 Inch	4
10	25011486	Parking Stand Spacer	1	26	25011076	Hose Loop Kit	1
11	953-002-032	Clevis Pin 3/4 x 3 Gr. 5	2	27	031-06219	Hex Head Cap Screw 1/2-13 x 6 Gr. 5	2
12	035-42033	Cotter Pin 5/32 x 1- 1/4	2	28	25010795	Helical Torsion Spring	1
13	950-003-074	Carriage Bolt 5/16-18 x 2 1/2 Gr. 5	1	29	25010697	Caution Decal	1
14	951-001-005	Hex Nut 3/8-16	4	30	034-00136	Slotted Nut 3/4-10	1
15	951-005-036	Lock Nut 5/16-18 Mac Lock	1	31	953-001-008	Cotter Pin 3/16 x 1 3/4	1

8 CMS

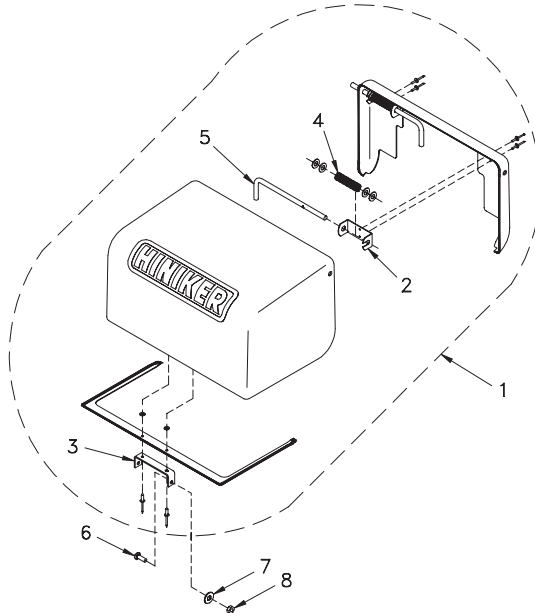
LIFT FRAME ASSEMBLY



DWG. NO. 5264A

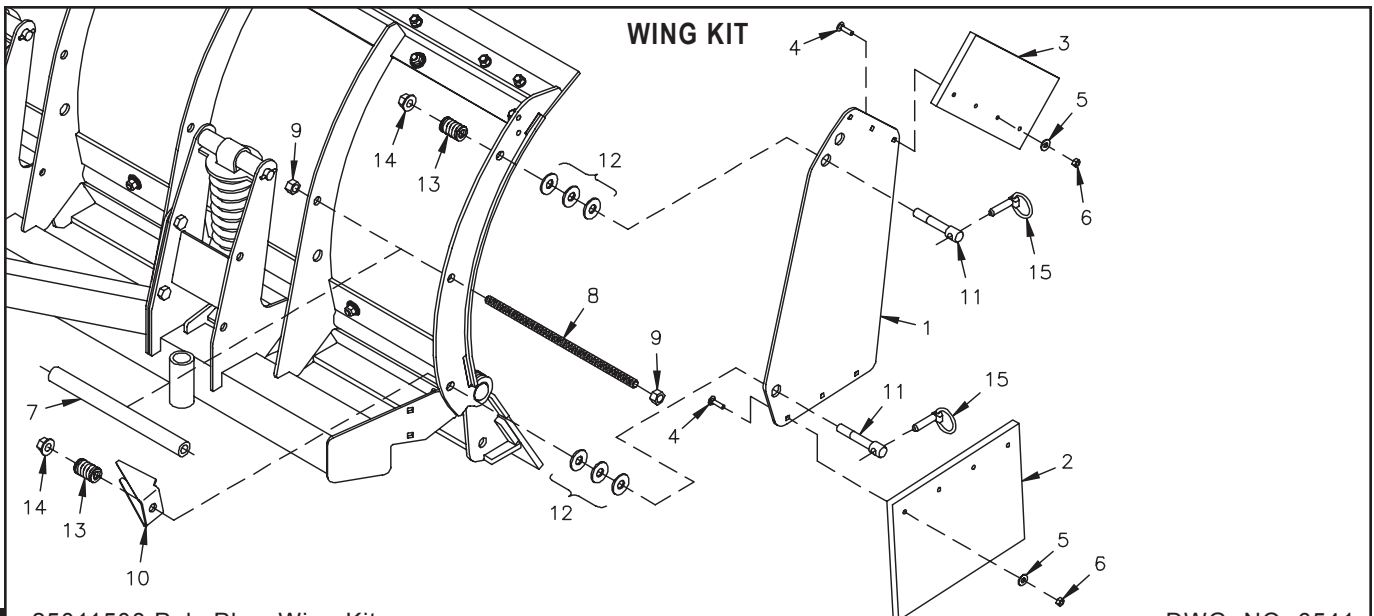
REF. NO.	PART NUMBER	DESCRIPTION	QTY.	REF. NO.	PART NUMBER	DESCRIPTION	QTY.
1	25011230	Vinyl Cap	1	24	25012396	RH Lower Link, 5/16" Thick	1
2	25012583	Frame Weldment	1		25010390	RH Lower Link, 1/4" Thick	1
3	25010410	Handle Weldment	1	25	25012394	RH Upper Link, 5/16" Thick	1
4	25010274	Long Tie Rod	1		25011045	RH Upper Link, 1/4" Thick	1
5	25010275	Short Tie Rod	1	26	25012393	LH Upper Link, 5/16" Thick	1
6	25010276	Slider	2		25011044	LH Upper Link, 1/4" Thick	1
7	953-002-032	Clevis Pin 3/4 x 3 Gr. 5	1	27	25012395	LH Lower Link, 5/16" Thick	1
8	030-16042	Carriage Bolt 5/16-18 x 1 Gr. 5	2		25010389	LH Lower Link, 1/4" Thick	1
9	035-42033	Cotter Pin 5/32 x 1 1/4	4	28	952-004-003	Machine Bushing	2
10	703-00209	Klik Pin	1	29	950-001-310	Hex Head Cap Screw 3/4-10 x 4 1/4 Gr. 5, 1 1/4 Thd Lgth	1
11	951-005-036	Lock Nut 5/16-18 Mac Lock	2	30	950-001-311	Hex Head Cap Screw 3/4-10 x 4 1/2 Gr. 5, 1 1/4 Thd Lgth	1
12	950-011-042	Hex Head Cap Screw 5/16-18 x 3/4 Nylon Dri-Loc	2	31	951-003-010	Lock Nut 3/4-10 Nylon Insert	1
13	952-002-007	Flat Washer, 5/8 Inch	3	32	951-005-037	Lock Nut 3/4-10, 2-Way	1
14	10304	Lock Nut 1/2-13, 2-Way	2	33	950-001-124	Hex Head Cap Screw 1/2-13 x 4 Gr. 5	1
15	953-002-031	Clevis Pin 3/4 x 2 Gr. 5	2	34	25010211	Upper Link Spacer	1
16	950-001-309	Hex Head Cap Screw 1/2-13 x 4 Gr. 5, 7/8 Thd Lgth	1	35	952-001-007	Lock Washer, 3/8 Inch	2
17	25012792	RH Light Assembly (See Sec. 8 Page 16)	1	36	950-001-089	Hex Head Cap Screw 3/8-16 x 3/4 Gr. 5	2
18	950-003-070	Carriage Bolt 3/8-16 x 2 Gr. 5	4	37	25011402	1 3/4 x 9 SA Cylinder (See Sec. 8, Page 9)	1
19	951-005-003	Lock Nut 3/8-16 Mac Lock	4	38	25011986	Stop Plate Kit (Includes Lock Nut #32)	1
20	25011334	Light Bracket Weldment	2	39	25011984	Stop Plate	1
21	25012793	LH Light Assembly (See Sec. 8 Page 16)	1	40	25011885	Bushing	1
22	25012647	Power Unit (See Sec. 8 Page 10)	1	41	033-12013	SAE Flat Washer, 3/4 Inch	1
23	25010114	Lower Link Spacer	1				

POWER UNIT COVER ASSEMBLY



DWG. NO. 5559

REF. NO.	PART NUMBER	DESCRIPTION	QTY.	REF. NO.	PART NUMBER	DESCRIPTION	QTY.
1	25011070	Cover Assembly (Includes Items 2-5)	1	5	25011071	Rod	2
2	25011073	Clevis	2	6	031-10657	Machine Screw 1/4-20 x 3/4 Slotted Round Head	2
3	25011072	Clevis	1	7	952-002-011	Flat Washer, 1/4 Inch	2
4	25010717	Compression Spring	2	8	060954	Lock Nut 1/4-20 Nylon Insert	2



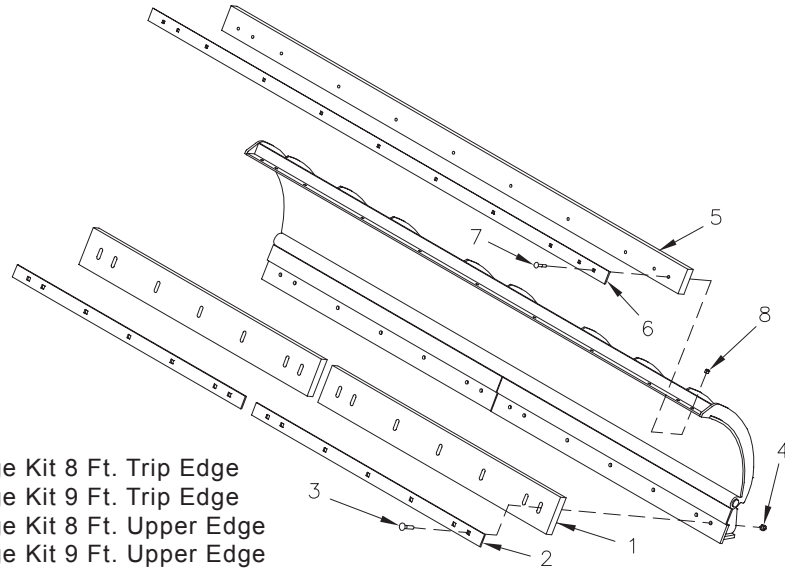
25011508 Poly Plow Wing Kit

DWG. NO. 6541

REF. NO.	PART NUMBER	DESCRIPTION	QTY.	REF. NO.	PART NUMBER	DESCRIPTION	QTY.
1	25011502	Wing Blank	2	9	10304	Lock Nut 1/2-13, 2-Way	4
2	25010840	Lower Wing Rubber	2	10	25011503	Gusset	2
3	25010841	Upper Wing Rubber	2	11	25011504	Quick Attach Bolt	4
4	030-12020	Carriage Bolt 1/4-20 x 1 Gr. 5	12	12	952-002-005	Flat Washer 1/2 Inch	16
5	952-002-011	Flat Washer 1/4 Inch	12	13	25011506	Compression Spring	4
6	951-005-089	Lock Nut 1/4-20 2-Way	12	14	951-005-055	Lock Nut 1/2-13 Mac Lock	4
7	25012734	Pipe	2	15	25011577	Lynch Pin 7/16 x 1 3/4	4
8	25012733	Threaded Rod	2				

8800

RUBBER CUTTING EDGES

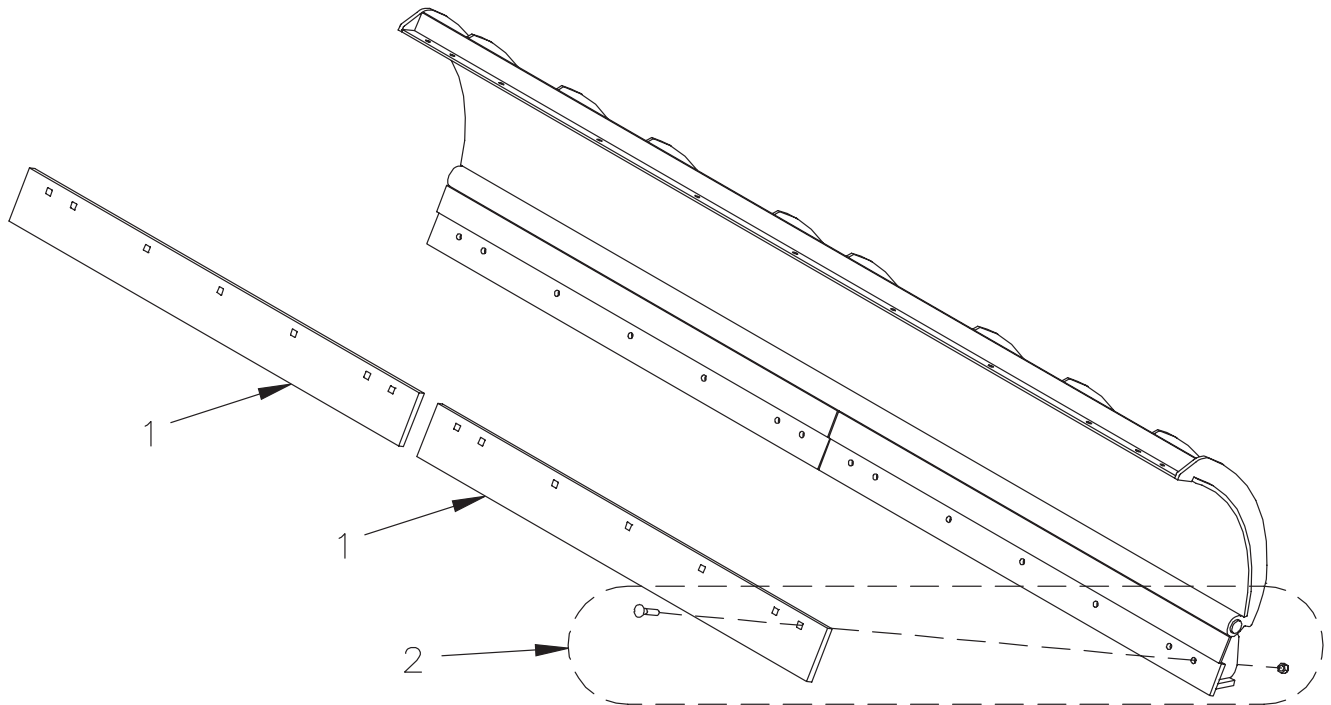


25011702 Rubber Cutting Edge Kit 8 Ft. Trip Edge
 25011703 Rubber Cutting Edge Kit 9 Ft. Trip Edge
 25011704 Rubber Cutting Edge Kit 8 Ft. Upper Edge
 25011705 Rubber Cutting Edge Kit 9 Ft. Upper Edge

DWG. NO. 5683

REF. NO.	PART NUMBER	DESCRIPTION	QTY.	REF. NO.	PART NUMBER	DESCRIPTION	QTY.
1	25011770	48" Rubber Cutting Edge For 8' Plow	2	5	25012020	Rubber Cutting Edge 8 Ft.	1
	25011773	54" Rubber Cutting Edge For 9' Plow	2		25012021	Rubber Cutting Edge 9 Ft.	1
2	25011772	Strap 8 Ft. Trip Edge Plow	2	6	25011766	Strap 8 Ft.	1
	25011775	Strap 9 Ft. Trip Edge Plow	2		25011769	Strap 9 Ft.	1
3	030-16136	Carriage Bolt 1/2-13 x 2 1/2 Gr. 5	14	7	950-003-070	Carriage Bolt 3/8-16 x 2 Gr. 5	11
4	951-003-009	Lock Nut 1/2 Nylon Insert	14	8	951-003-002	Lock Nut 3/8-16 Nylon Insert	11

1/2" THICK CUTTING EDGES

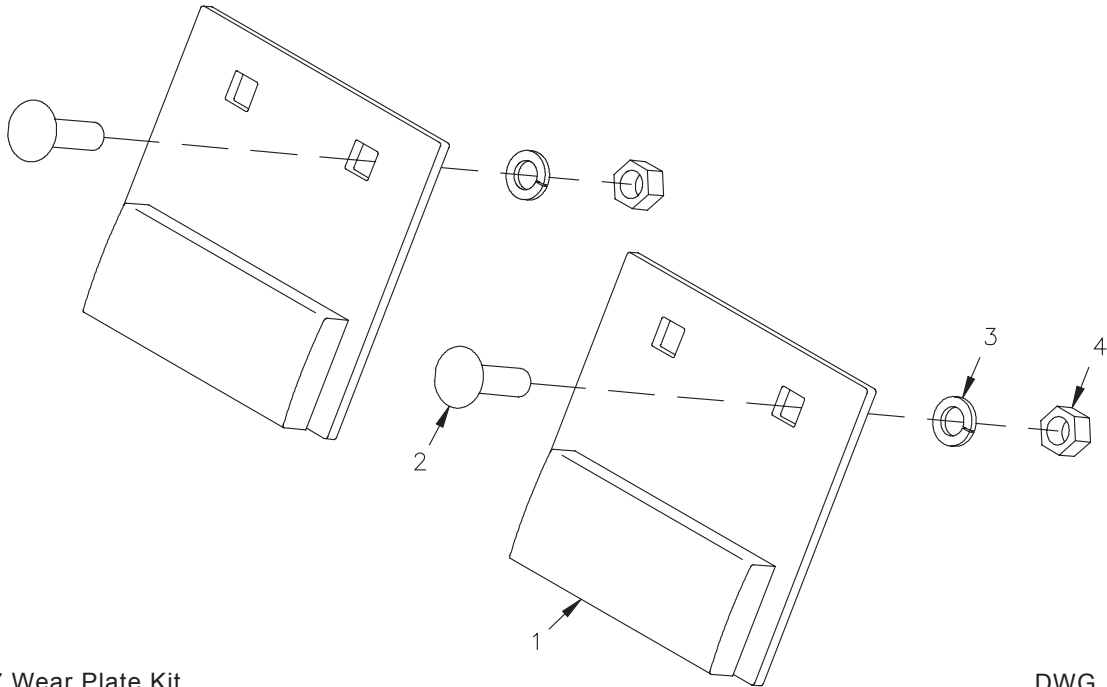


DWG. NO. 5891

REF. NO.	PART NUMBER	DESCRIPTION	QTY.	REF. NO.	PART NUMBER	DESCRIPTION	QTY.
1	25012027	48" Cutting Edge For 8' Plow, 1/2" Thick	2	2	25011578	Cutting Edge Bolt Kit	1
	25012029	54" Cutting Edge For 9' Plow, 1/2" Thick	2				

S E C 8

WEAR PLATE KIT

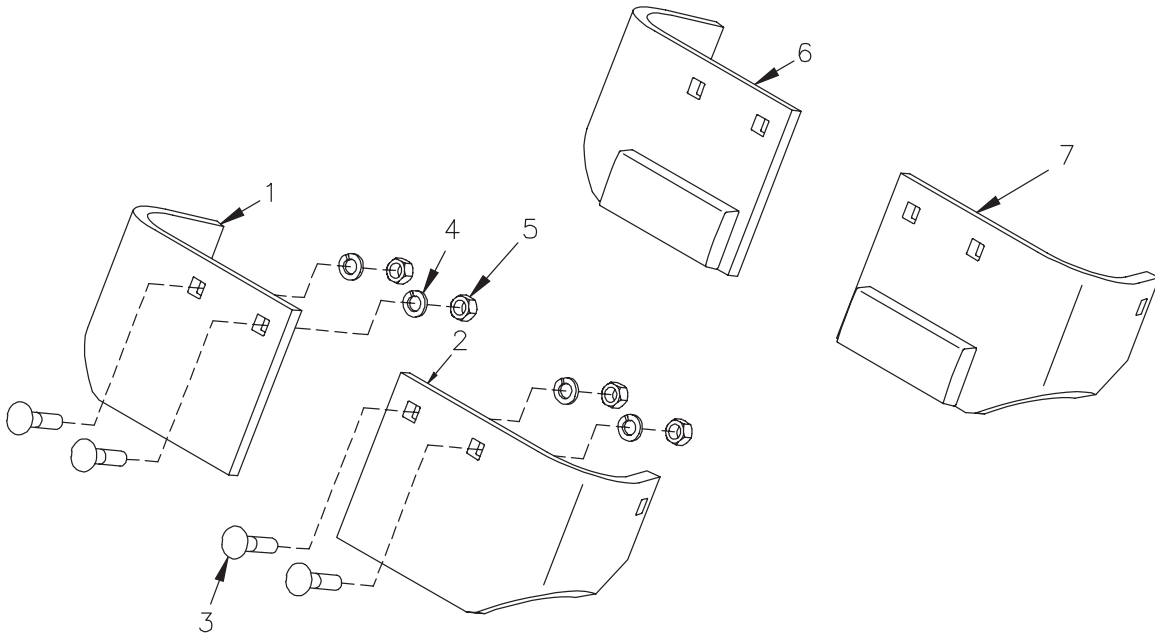


25012587 Wear Plate Kit

DWG. NO. 6331

REF. NO.	PART NUMBER	DESCRIPTION	QTY.	REF. NO.	PART NUMBER	DESCRIPTION	QTY.
1	25012588	Wear Plate Weldment	2	3	952-001-004	Lock Washer 1/2 Inch	4
2	950-003-058	Carriage Bolt 1/2-13 x 1 3/4 Gr. 5	4	4	951-001-007	Hex Nut 1/2-13	4

CURB GUARD KITS



25011695 Curb Guard Kit - Standard

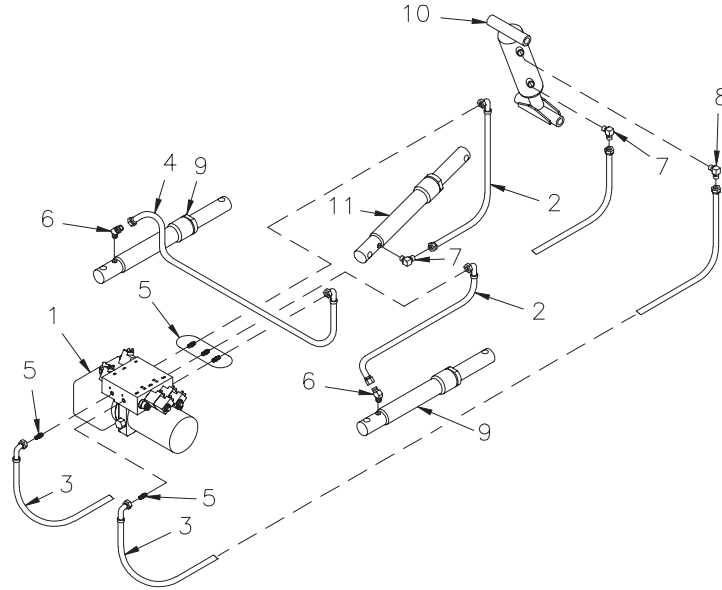
25012726 Curb Guard Kit With Wear Bars

DWG. NO. 5486

REF. NO.	PART NUMBER	DESCRIPTION	QTY.	REF. NO.	PART NUMBER	DESCRIPTION	QTY.
1	25011712	RH Curb Guard - Standard	1	5	951-001-007	Hex Nut 1/2-13	4
2	25011713	LH Curb Guard - Standard	1	6	25012722	RH Curb Guard With Wear Bar	1
3	950-003-025	Carriage Bolt 1/2-13 x 2 Gr. 5	4	7	25012723	LH Curb Guard With Wear Bar	1
4	952-001-004	Lock Washer 1/2 Inch	4				

8 CEMS

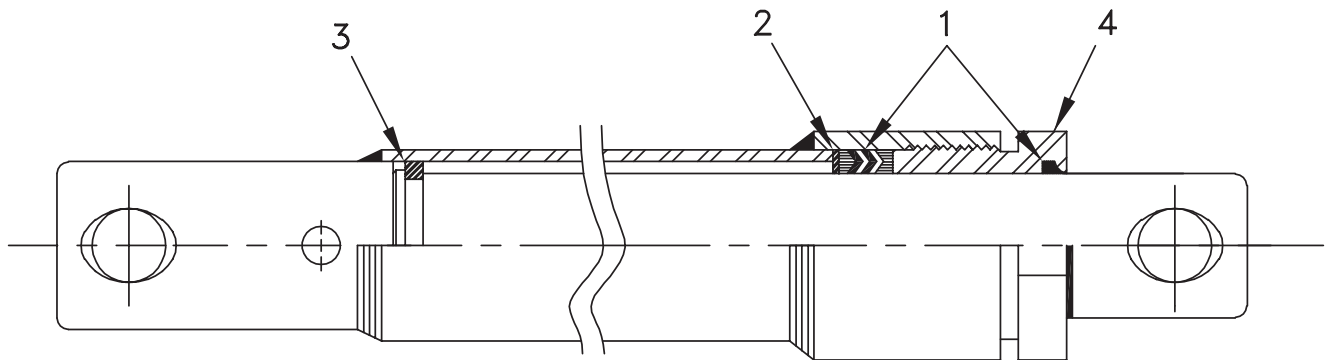
HYDRAULIC OVERVIEW



DWG. NO. 5265

REF. NO.	PART NUMBER	DESCRIPTION	QTY.	REF. NO.	PART NUMBER	DESCRIPTION	QTY.
1	25012647	Power Unit (See Sec. 8, P. 10)	1	7	956-005-022	90° Adapter 9/16 ORB x 9/16 JIC	2
2	957-021-002	Hydraulic Hose Assembly 1/4 x 33	2	8	956-005-025	90° Restricted Adapter 9/16 ORB x 9/16 JIC	1
3	957-021-000	Hydraulic Hose Assembly 1/4 x 66	2	9	25010523	1 1/2 x 10 Hydraulic Cylinder	2
4	957-021-001	Hydraulic Hose Assembly 1/4 x 54	1	10	25011400	2 1/2 x 6 Hydraulic Cylinder(See Sec. 8, P. 13)	1
5	206-01024	Straight Adapter 9/16 ORB x 9/16 JIC	5	11	25011402	1 3/4 x 9 Hydraulic Cylinder	1
6	956-005-023	45° Adapter 9/16 ORB x 9/16 JIC	2				

1 1/2 x 10 AND 1 3/4 x 9 HYDRAULIC CYLINDER



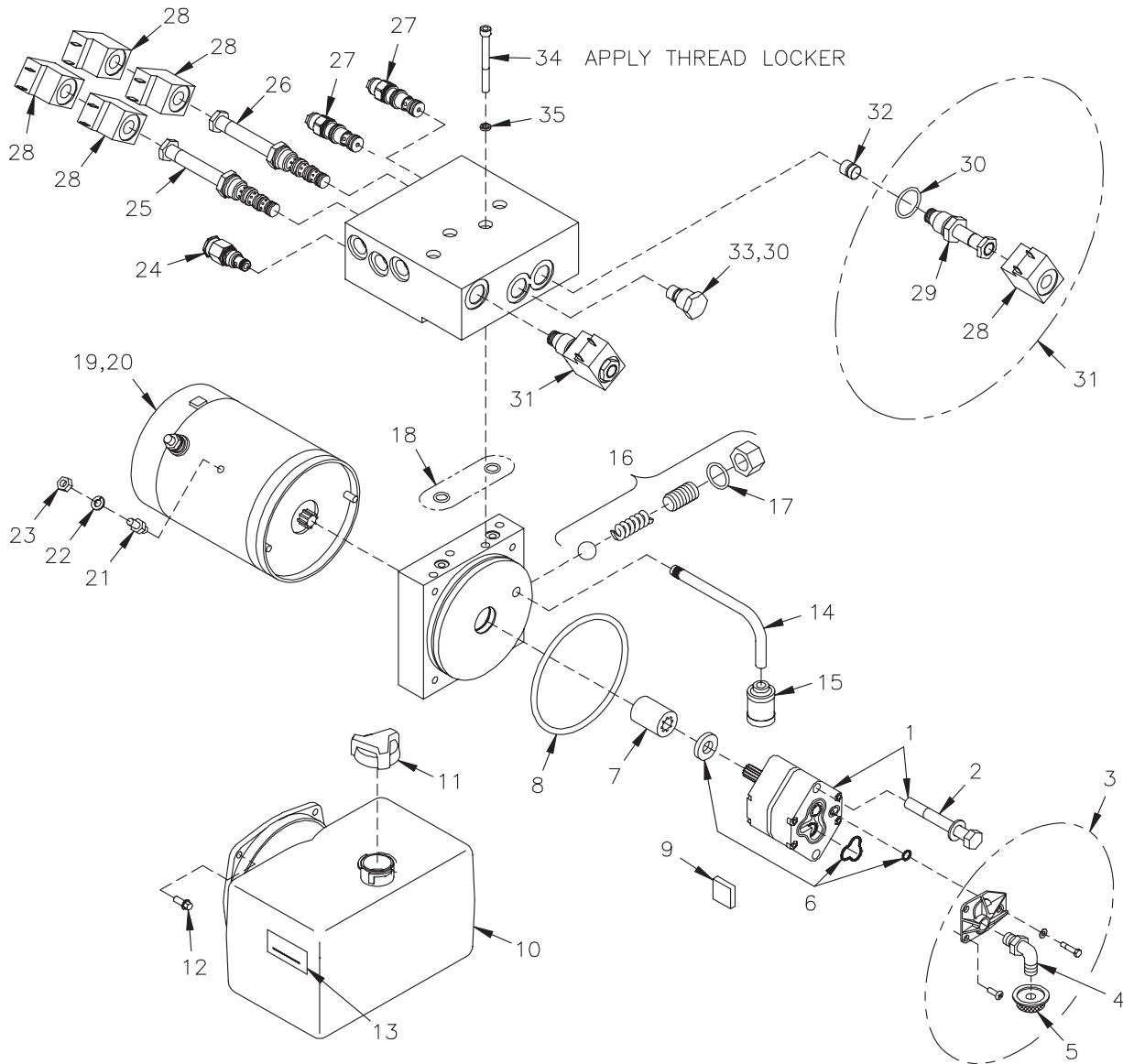
25010523 1 1/2 x 10 Hydraulic Cylinder
 25011402 1 3/4 x 9 Hydraulic Cylinder

DWG. NO. 5883

REF. NO.	PART NUMBER	DESCRIPTION	QTY.	REF. NO.	PART NUMBER	DESCRIPTION	QTY.
1	25010464	Seal Kit - 1 1/2" Rod	1	3	25010017	Guide Ring - 1 1/2" Rod	1
	25010711	Seal Kit - 1 3/4" Rod	1		25010707	Guide Ring - 1 3/4" Rod	1
2	25010016	Seat Ring - 1 1/2" Rod	1	4	25010018	Packing Nut - 1 1/2" Rod	1
	25010706	Seat Ring - 1 3/4" Rod	1		25010708	Packing Nut - 1 3/4" Rod	1

SEC 8

POWER UNIT - SPX MODEL DB-7885



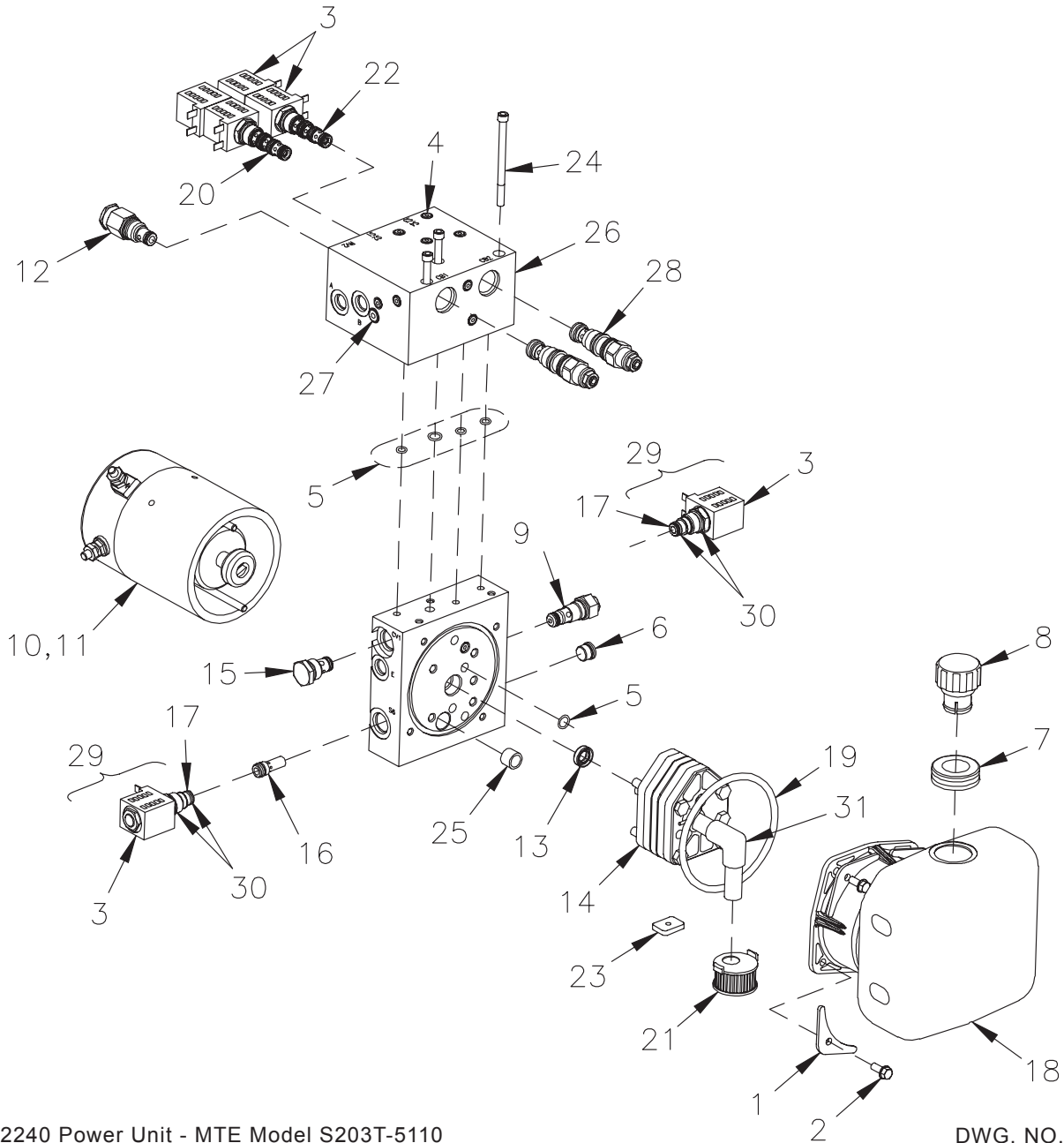
25012647 Power Unit - SPX Model DB-7885

DWG. NO. 6525

REF. NO.	PART NUMBER	DESCRIPTION	QTY.	REF. NO.	PART NUMBER	DESCRIPTION	QTY.
1	25010734	Pump Assembly	1	19	25010230	Motor 12V DC	1
2	950-001-327	Hex Head Cap Screw 5/16-24 x 3 Gr. 8	2	20	25010337	Motor Brush Kit	1
3	25010332	Inlet Plumbing Kit	1	21	25012673	Ground Stud 1/4-20	1
4	25010244	Plumbing Elbow	1	22	952-001-001	Lock Washer 1/4 Inch	1
5	25010221	Filter	1	23	951-001-003	Hex Nut 1/4-20	1
6	25010334	Pump O-Ring Kit	1	24	25010985	Crossover Relief Valve	1
7	25010214	Coupling	1	25	25011525	Spool Valve-Closed Center	1
8	25010236	O-Ring	1	26	25012242	Spool Valve-Motor Center	1
9	25010220	Plumbing Magnet	1	27	25012679	Counterbalance Valve	2
10	25010738	Plastic Tank	1	28	25011667	Solenoid Coil	6
11	25010217	Plastic Breather	1	29	25010544	Cartridge Release Valve	2
12	950-004-071	Machine Screw #12-24 x 1/2 Hex Washer Head	4	30	25010992	O-Ring Kit	1
13	25010436	Decal - Fill Line	1	31	25011654	Release Valve Kit	2
14	25012735	Return Tube	1	32	25012736	Orifice With O-Ring	1
15	25010745	Return Tube Filter	1	33	25010746	Check Valve	1
16	25010330	Adjustable Relief Valve Kit	1	34	950-004-095	Socket Head Cap Screw 1/4-20 x 2 1/2	4
17	25010518	Adjustable Relief Valve O-Ring	1	35	952-004-080	Lock Washer 1/4 Inch	4
18	25010762	Manifold O-Ring Kit	1				

8800

POWER UNIT - MTE MODEL S203T-5110



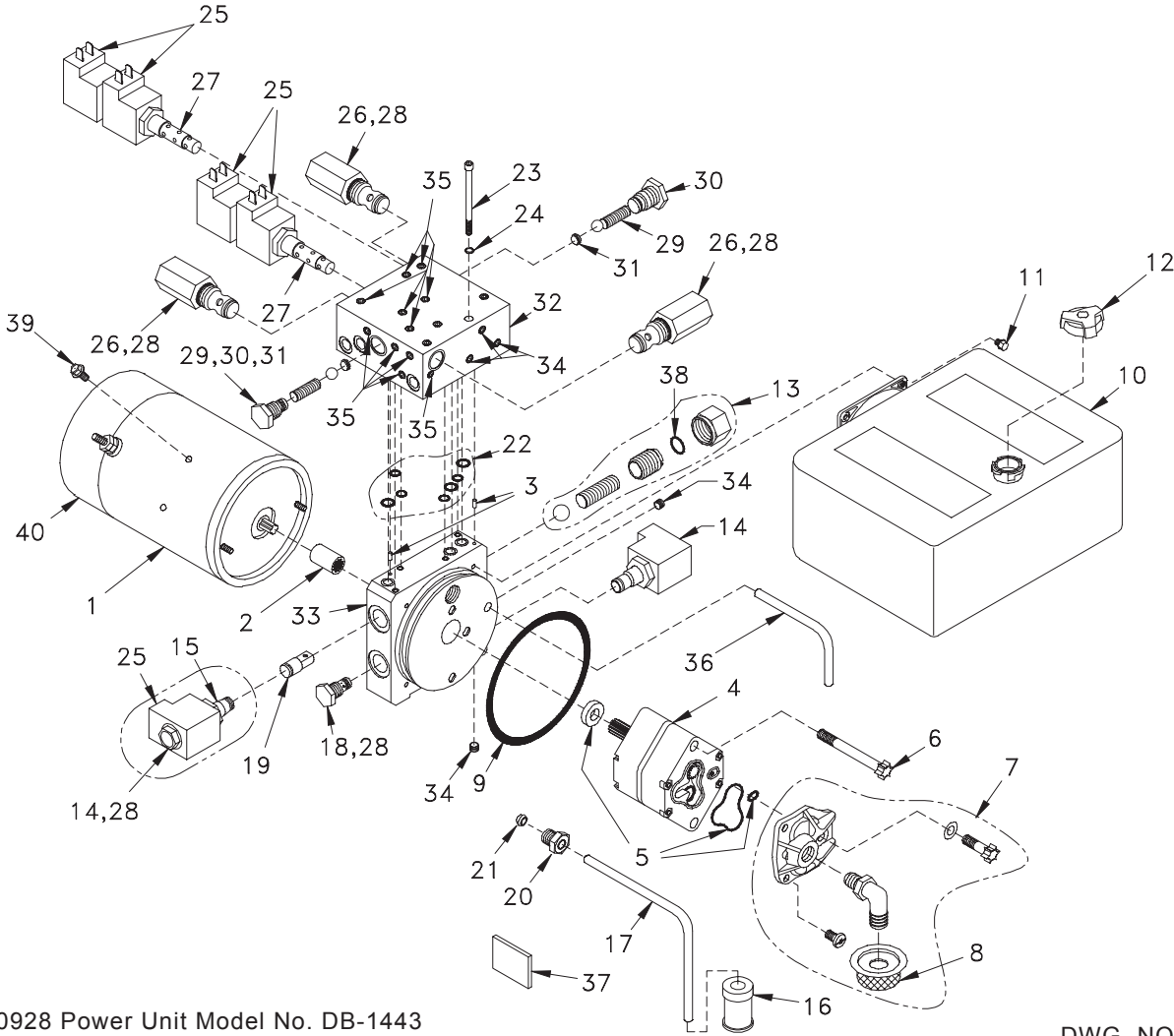
25012240 Power Unit - MTE Model S203T-5110

DWG. NO. 5989

REF. NO.	PART NUMBER	DESCRIPTION	QTY.	REF. NO.	PART NUMBER	DESCRIPTION	QTY.
1	25012154	Clamp, Tank Mounting	4	17	25010544	Cartridge Valve	2
2	950-004-104	Machine Screw 1/4-20 x 3/4 H WHD	4	18	25012167	Tank, 2.5 Quart	1
3	25011667	Coil Assembly 16W 10V	6	19	25012168	O-Ring, Reservoir	1
4	25012156	Zero-leak Plug, 5/16-24	23	20	25011525	Spool Valve, Closed Center	1
5	25012170	O-Ring Seal Kit	1	21	25012169	Filter, Round Plastic	1
6	25012157	Zero-Leak Plug, 9/16-18	1	22	25012242	Spool Valve, Motor Center	1
7	25012158	Grommet	1	23	25010220	Plumbing Magnet	1
8	25012159	Breather	1	24	950-004-055	Socket Head Cap Screw 1/4-20 x 3	3
9	25012241	Relief Valve	1	25	25012232	Filter, Bronze, 1/2" Long	1
10	25012205	Motor DC 12 Volt 2-Terminal	1	26	25012243	Manifold, C-Plow	1
11	25012173	Motor Brush Kit	1	27	25012244	Zero-Leak Plug, 7/16-20	1
12	25010985	Crossover Relief Valve	1	28	25012245	Counterbalance Valve	2
13	25012163	Oil Seal, Pump	1	29	25011654	Release Valve Kit	2
14	25012231	Pump	1	30	25010992	O-Ring Kit	1
15	25012165	Check Valve	1	31	25012631	Elbow	1
16	25012166	Flow Control, 2.5 GPM	1				

SECTION 8

POWER UNIT - SPX MODELS DB-1599 & DB-1443



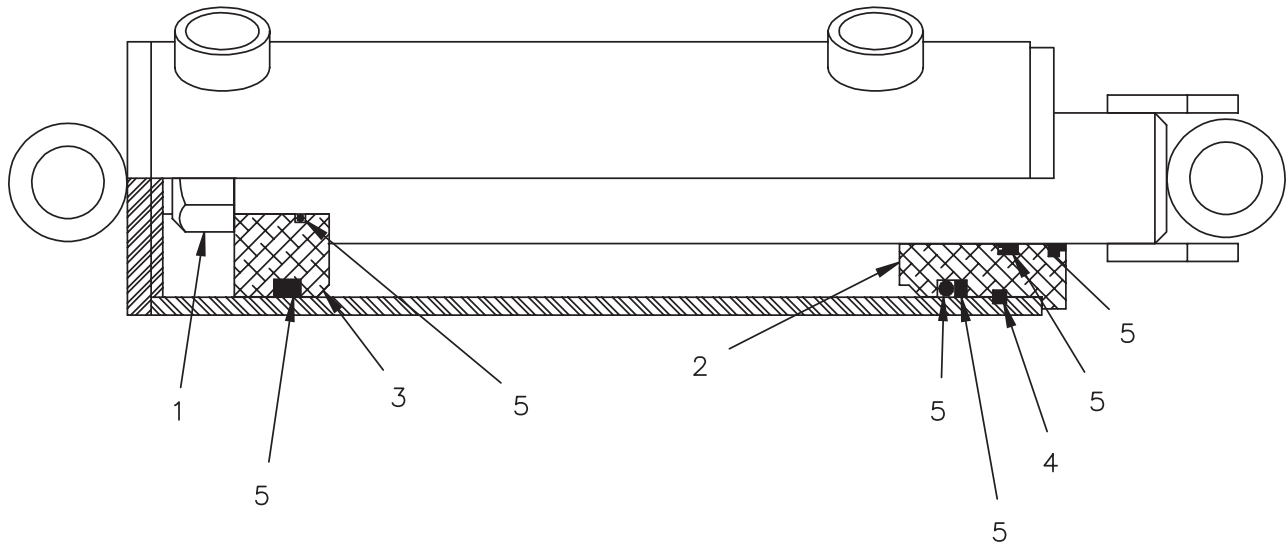
25010928 Power Unit Model No. DB-1443
 25011689 Power Unit Model No. DB-1599

DWG. NO. 5462

REF. NO.	PART NUMBER	DESCRIPTION	QTY.	REF. NO.	PART NUMBER	DESCRIPTION	QTY.
1	25010230	Motor	1	21	25010930	Compression Tube Sleeve	1
2	25010214	Coupling	1	22	25010762	Manifold O-Ring Kit	1
3	25010235	1/8 x 1/4 Pin	3	23	950-004-090	Socket Head Set Screw 1/4 x 2 3/4	4
4	25010239	Pump Assembly (Model DB-1443)	1	24	952-001-001	Lock Washer 1/4 Med Split SAE	4
	25010734	Pump Assembly (Model DB-1599)	1	25	25011917	Solenoid Coil, Double Spade With Ground Wire	6
5	25010334	Pump O-ring Kit	1		25011667	Solenoid Coil, Double Spade Coil (Model DB-1599)	6
6	950-011-041	Torx Head Bolt 5/16 x 2 3/4 (Model DB-1443)	2	26	25010985	Cross Over Relief	3
	950-011-049	Torx Head Bolt 5/16 x 3 (Model DB-1599)	2	27	25011525	Spool Valve	2
7	25010332	Inlet Plumbing Kit	1	28	25010992	O-Ring Kit (Release & Check)	5
8	25010221	Inlet Filter	1	29	25010988	Spring & Ball Assembly	2
9	25010236	Reservoir O-Ring	1	30	25010989	Cap Assembly	2
10	25010738	Reservoir	1	31	25010990	Valve Seat Sub Assembly	2
11	950-004-071	Machine Screw #12 x 1/2 Hex Head	4	32	25011710	Valve Block (Model DB-1599)	1
12	25010217	Breather	1	33	25010933	End Head	1
13	25010330	Adjustable Relief Valve Kit	1	34	25010761	1/8 NPTF Flush Pipe Plug	10
14	25011920	Release Valve Kit, Double Spade With Ground Wire	2	35	25010987	1/16 NPT Flush Plug	18
	25011654	Release Valve Kit, Double Spade Coil	2	36	25010935	Return Tube x 90° Bend	1
15	25010544	Cartridge Release Valve	2	37	25010220	Plumbing Magnet	1
16	25010745	Return Tube Filter	1	38	25010518	Relief Valve O-Ring	1
17	25010744	Return Tube x 90° Bend	1	39	950-004-072	Machine Screw 1/4-20 x 1/4 Hex Washer Head	1
18	25010746	Check Valve	1		950-004-101	Machine Screw 1/4-20 x 3/8 Hex Washer Head	1
19	25010542	Flow Control Valve	1	40	25010337	Motor Brush Kit	1
20	25010929	Compression Tube Nut	1				

8 CMS

2 1/2 x 6 HYDRAULIC CYLINDER

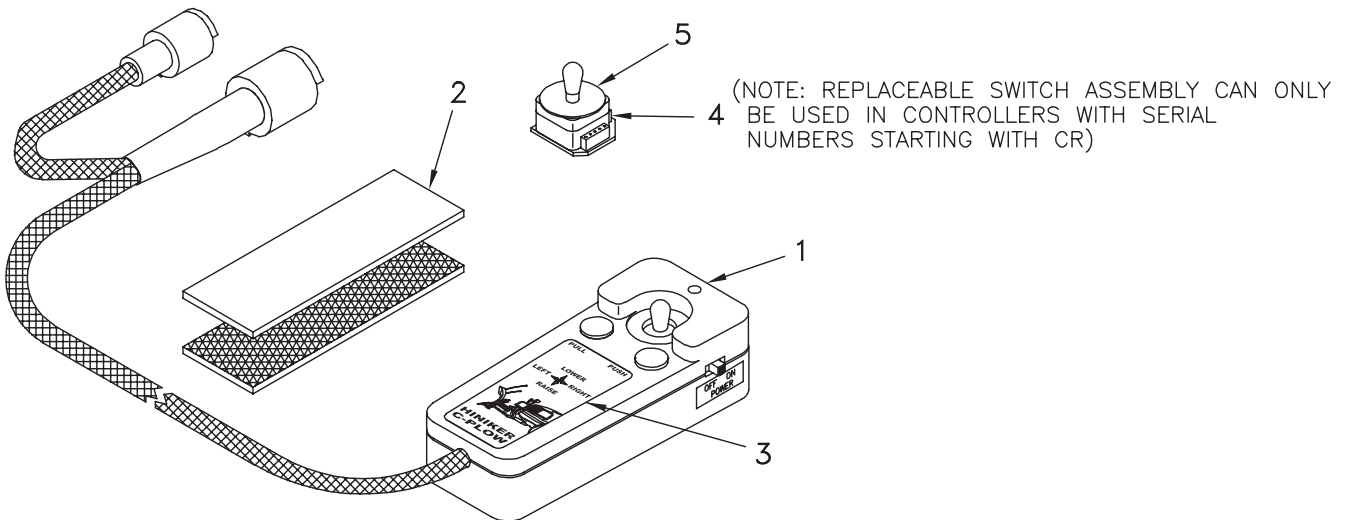


25011400 2 1/2 x 6 Hydraulic Cylinder

DWG. NO. 5266

REF. NO.	PART NUMBER	DESCRIPTION	QTY.	REF. NO.	PART NUMBER	DESCRIPTION	QTY.
1	25010970	Nut	1	4	25011125	Retaining Ring	1
2	25011117	Head	1	5	25011128	Repair Kit	1
3	25011118	Piston	1				

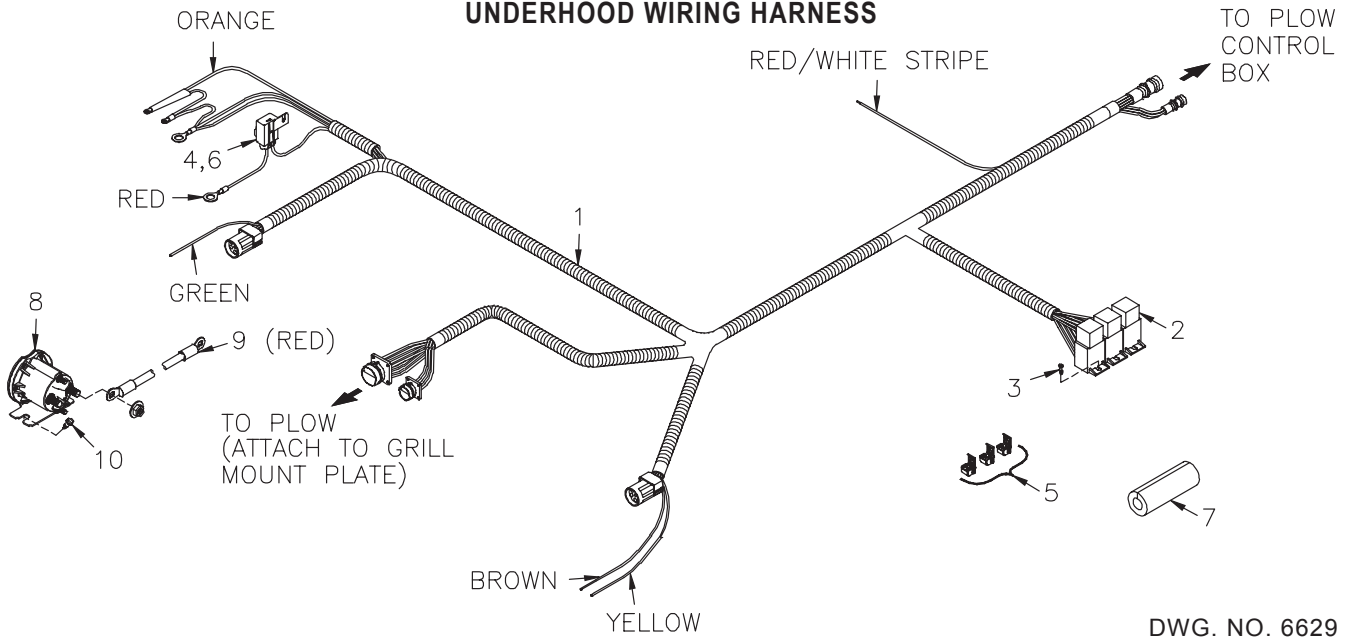
JOYSTICK CONTROLLER



DWG. NO. 5927

REF. NO.	PART NUMBER	DESCRIPTION	QTY.	REF. NO.	PART NUMBER	DESCRIPTION	QTY.
1	36014022	Joystick W/Replaceable Switch, C-Plow	1	4	36014019	Replaceable Switch Assembly	1
2	39108005	Hook & Loop Assembly	1	5	36716033	Gasket	1
3	39302143	Decal, C-Plow Joystick Top, 2 Sided	1				

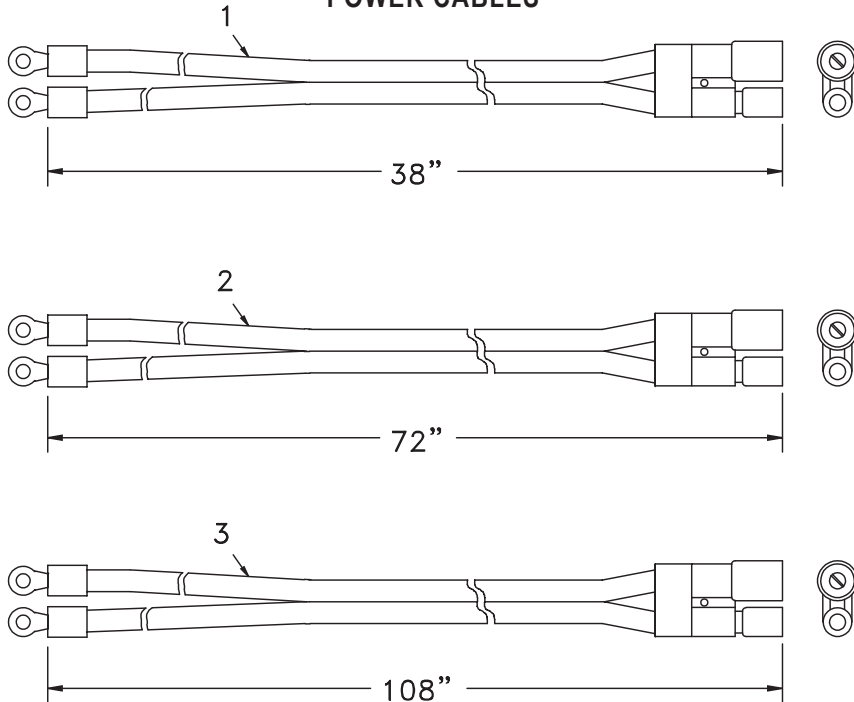
UNDERHOOD WIRING HARNESS



DWG. NO. 6629

REF. NO.	PART NUMBER	DESCRIPTION	QTY.	REF. NO.	PART NUMBER	DESCRIPTION	QTY.
1	38813033	Harness, 6 Function Underhood (Includes Relays And Fuses)	1	6	38400012	Cover, Fuse Holder	1
2	38350010	Head Light/Accessory Relay	3	7	39107001	Foam Grommet 4" Long	1
3	031-30078	Self Tap Screw #8-18 x 1/2 Slotted Hex Head	3	8	38350015	Starter Solenoid, Sealed	1
4	39207031	10 Amp Fuse	1	9	950-005-004	Self Tap Screw 1/4-20 x 1/2 Hex Washer Head	2
5	38610104	Sealed Quick Connect	3	10	38813012	Solenoid Cable, Red	1

POWER CABLES

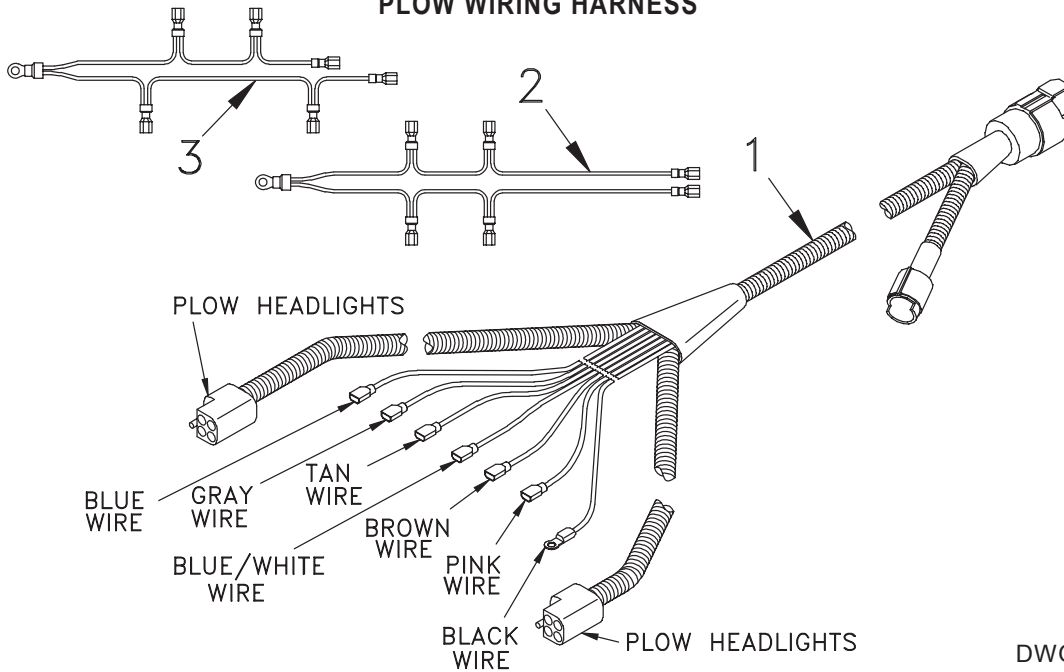


DWG. NO. 5342

REF. NO.	PART NUMBER	DESCRIPTION	QTY.	REF. NO.	PART NUMBER	DESCRIPTION	QTY.
1	38812008	Battery Power Cable - Snow Plow	1	3	38813066	Battery Power Cable - Truck 9 Ft.	1
2	38813007	Battery Power Cable - Truck 6 Ft.	1				

8 C E S

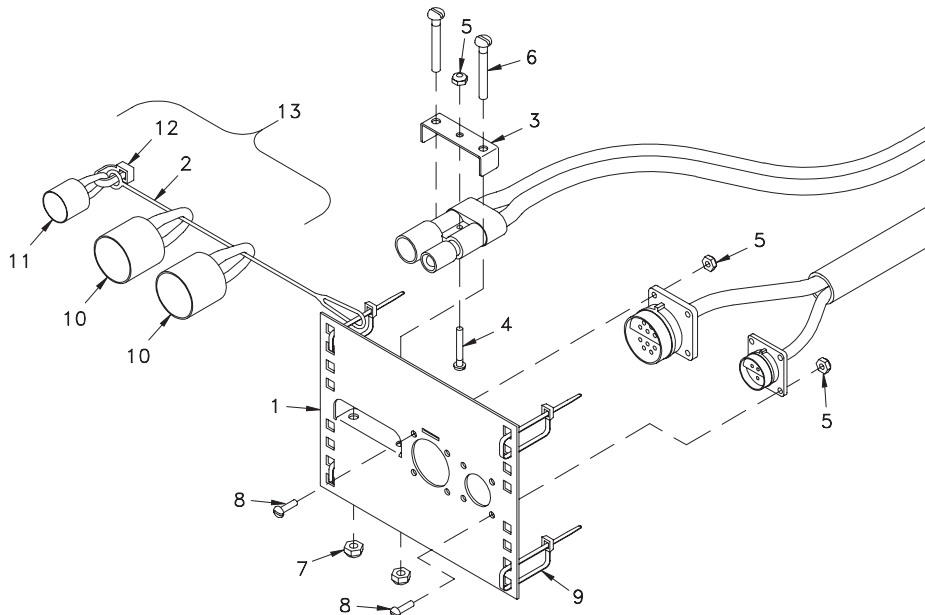
PLOW WIRING HARNESS



DWG. NO. 6557

REF. NO.	PART NUMBER	DESCRIPTION	QTY.	REF. NO.	PART NUMBER	DESCRIPTION	QTY.
1	38813035	6 Function External Cable Assembly	1	3	38813095	Ground Harness With 1/4" Ring (Use On Power Unit DB-7885)	1
2	38813070	Ground Harness With 5/16" Ring (Use On Power Unit 85203322, DB-1443 & DB-1599)	1				

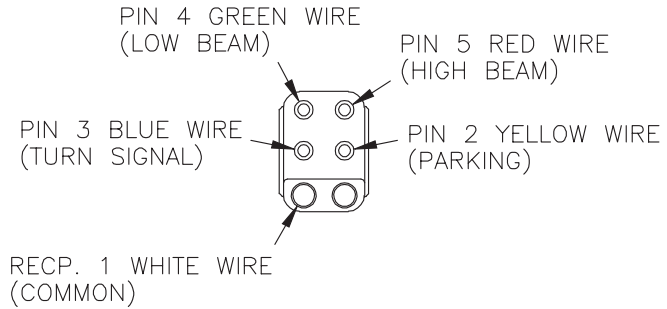
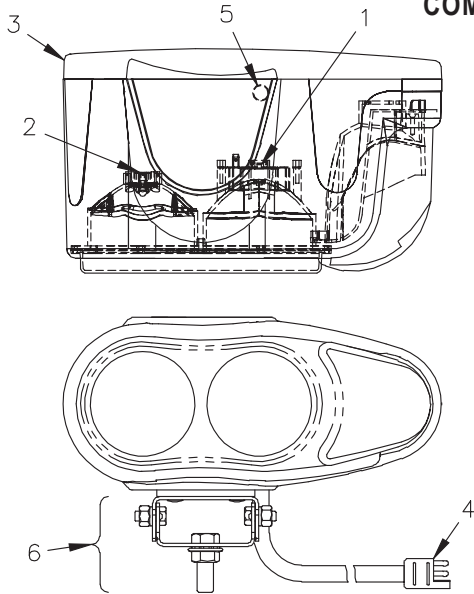
GRILL MOUNT PLATE



DWG. NO. 6332

REF. NO.	PART NUMBER	DESCRIPTION	QTY.	REF. NO.	PART NUMBER	DESCRIPTION	QTY.
	25010783	Complete Mount Plate Kit Items 1-13	1	7	392-010-010	Lock Nut #10-24 Nylon Insert	2
1	36507004	Plug Mount Plate	1	8	950-004-033	Machine Screw #6-32 x 1/2 Slotted Pan Head	8
2	36716025	Nylon Lanyard 8"	1	9	367-001-011	Plastic Tie, 14"	4
3	25011037	Clamp	1	10	36716002	Large Dust Cap	2
4	700-10904	Machine Screw #6-32 x 1" Slotted Pan Head	1	11	36716034	Small Dust Cap	1
5	951-003-014	Lock Nut #6-32 Nylon Insert	9	12	367-001-014	Cable Tie, 8 In.	1
6	950-004-076	Machine Screw #10-24 x 1 1/2 Slotted Pan Head	2	13	36014018	Dust Cap Assembly	1

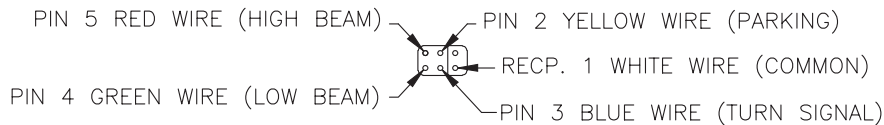
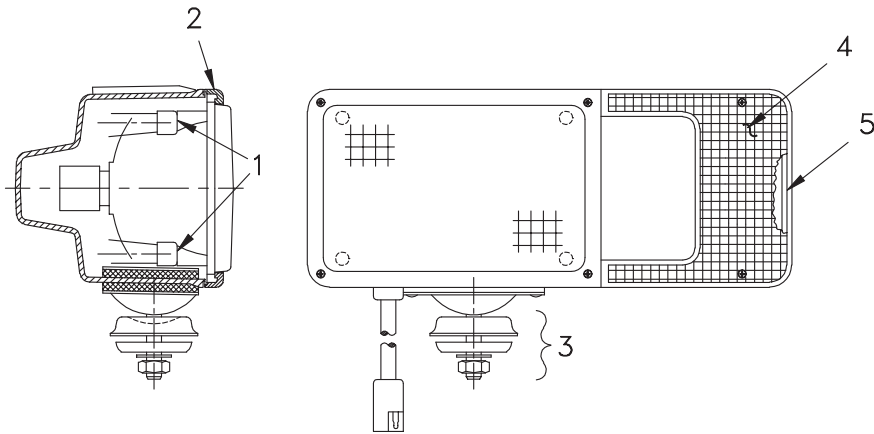
COMPOSITE HEADLAMPS



DWG. NO. 6628

REF. NO.	PART NUMBER	DESCRIPTION	QTY.	REF. NO.	PART NUMBER	DESCRIPTION	QTY.
	25012793	LH Light Assembly	1	5	25012417	Conduit Clamp	1
	25012792	RH Light Assembly	1	6	25012794	Mounting Hardware Kit	1
1	25012416	Spring Clip, High Beam	1		N/A	High Beam Headlight Bulb - One #H1 12V, 55W	1
2	25012415	Spring Clip, Low Beam	1		N/A	Low Beam Headlight Bulb - One #H7 12V, 55W	1
3	25012414	Back Panel, LH Light	1		N/A	Turn Signal/Parking Bulb - One #1157 Heavy Duty Double Contact 32/3 C.P.	1
	25012419	Back Panel, RH Light	1				
4	25012418	Wire Harness	1				

SEALED BEAM HEADLAMPS



DWG. NO. 3893

REF. NO.	PART NUMBER	DESCRIPTION	QTY.	REF. NO.	PART NUMBER	DESCRIPTION	QTY.
	25010918	LH Light Assy (5 Pin Connector)		5	25010731	Head Lamps Lens Gasket	1
	25010919	RH Light Assy (5 Pin Connector)			N/A	Sealed Beam - HP6545 12VDC	1
1	25010727	Head Lamp Bumper	4			4.00" x 6.50" (100 mm x 165 mm)	
2	25010728	Head Lamp Rim	1			Rectangular Hi/Lo (65W/45W)	
3	25010729	Head Lamp Swivel Kit	1		N/A	Turn Signal/Park Bulb One #1157 Heavy Duty Double Contact 32/3 C.P.	1
4	25010730	Head Lamp Lens	1				

8 CEMS