

SECTION 5

STEEL C-PLOW

FOR SERIES 3800 C-PLOW

PLOW COMPONENTS

- PAGE 2 MOLDBOARD ASSEMBLY
- PAGE 3 QUADRANT / PUSH FRAME ASSEMBLY
- PAGE 4 LIFT FRAME ASSEMBLY
- PAGE 5 POWER UNIT COVER ASSEMBLY
1/2" THICK CUTTING EDGE
- PAGE 6 CURB GUARD KITS
WEAR PLATE KIT
- PAGE 7 WING KIT

HYDRAULIC COMPONENTS

- PAGE 7 HYDRAULIC OVERVIEW

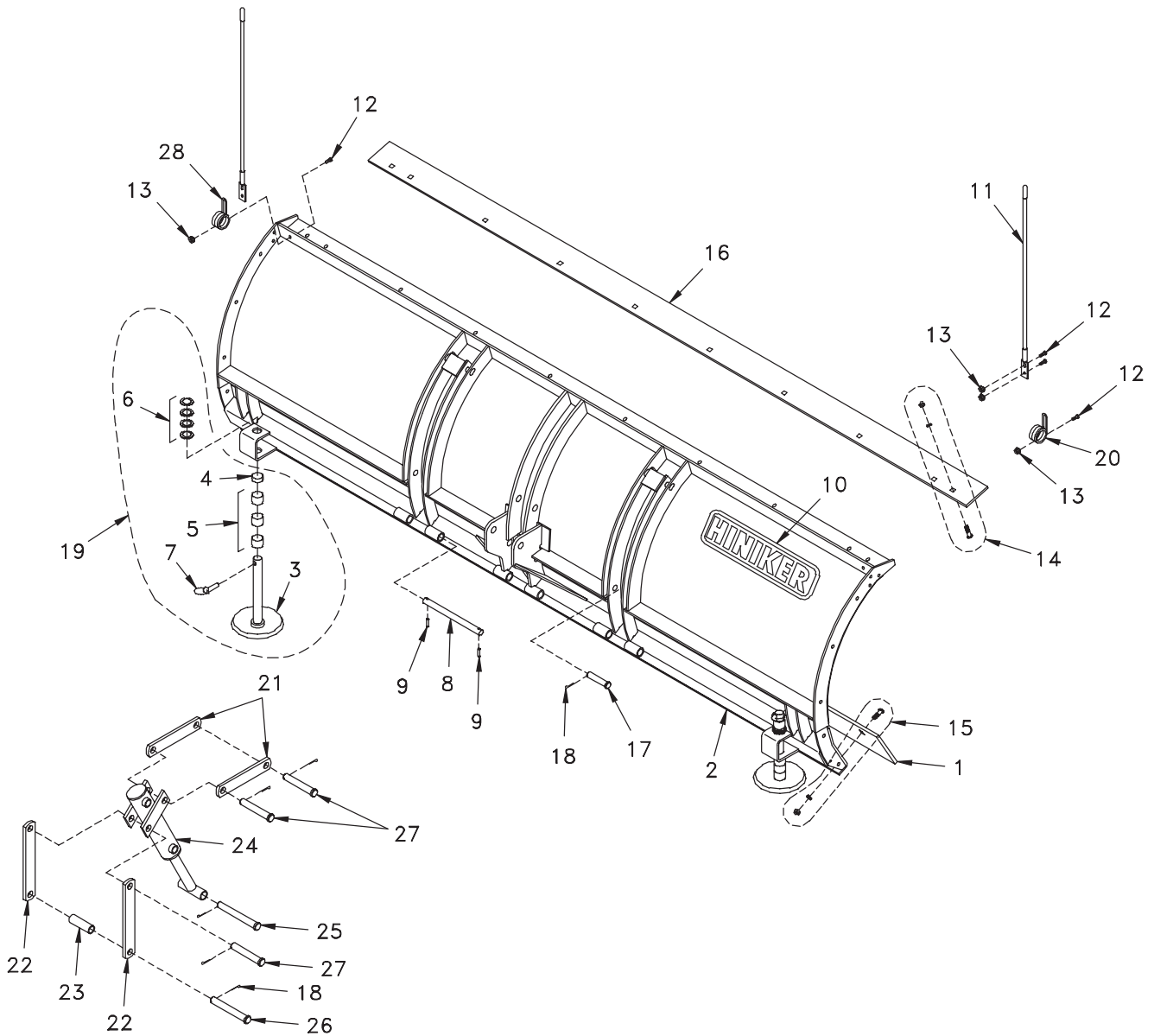
- PAGE 8 POWER UNIT
- PAGE 9 1 1/2 X 10 HYDRAULIC CYLINDER
2 X 6 HYDRAULIC CYLINDER

ELECTRICAL COMPONENTS

- PAGE 10 PLOW WIRING HARNESS
JOYSTICK CONTROLLER
- PAGE 11 UNDERHOOD WIRING HARNESS
POWER CABLES
- PAGE 12 HEADLAMPS
GRILL MOUNT PLATE

STEEL C-PLOW 3800

MOLDBOARD ASSEMBLY



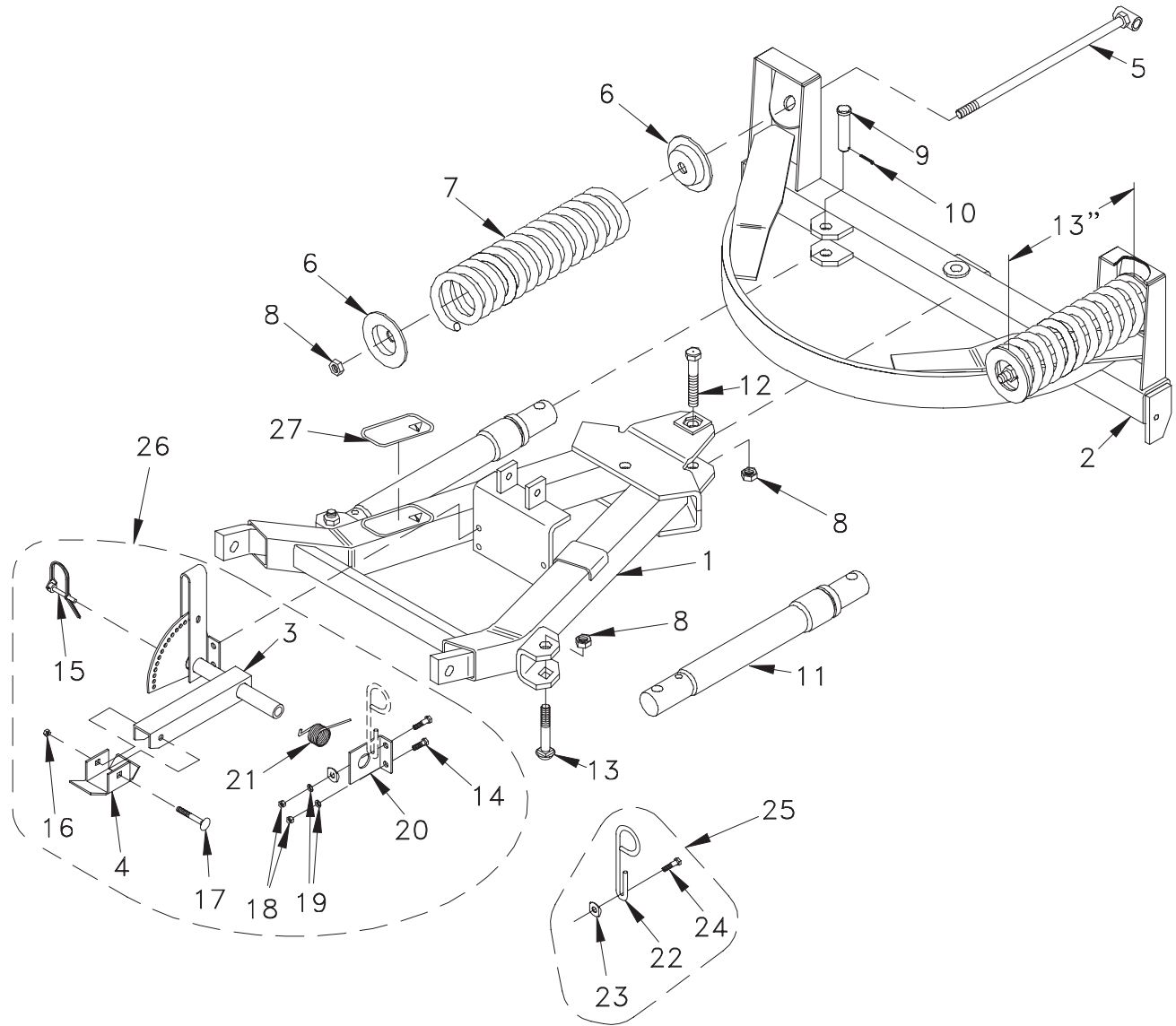
DWG. NO. 3863A

REF. NO.	PART NUMBER	DESCRIPTION	QTY.	REF. NO.	PART NUMBER	DESCRIPTION	QTY.
1	25010001	8' Cutting Edge	1	16	25010819	Top Cutting Edge	1
2	25010831	C-Plow Moldboard Weldment	1	17	953-002-040	Clevis Pin 5/8 x 3	2
3	25011478	Cast Iron Skid	2	18	035-42033	Cotter Pin 5/32 x 1 1/4	7
4	25010048	1/2" Skid Spacer	2	19	25011487	Cast Iron Skid Assembly	2
5	25010049	1" Skid Spacer	6	20	25010855	Helical Torsion Spring, RH	1
6	952-004-071	Machine Bushing 1 5/32 x 1 1/2 x 10 GA.	8	21	25010817	Upper Motion Link	2
7	25010319	Klik Pin	2	22	25010816	Lower Motion Link	2
8	25010376	8" Hinge Pin	3	23	25010833	Spacer Bushing	1
9	953-003-031	Slotted Spring Pin 1/4 x 1	6	24	25010815	Hydraulic Cylinder (See Sec. 5, Pg. 9)	1
10	79202024	Hiniker Decal	2	25	953-002-042	Clevis Pin 3/4 x 6	1
11	25010118	Red Blade Guide	2	26	953-002-038	Clevis Pin 3/4 x 5 1/2	1
12	950-001-113	Hex Head Cap Screw 5/16-18 x 3/4 Gr. 5	6	27	953-002-041	Clevis Pin 3/4 x 4 1/2	3
13	951-005-036	Lock Nut 5/16-18 Mac Lock	6	28	25010854	Helical Torsion Spring, LH	1
14	25011052	Cutting Edge Bolt Kit	1		25010750	Locktite 409 Superbonder 20 Gram Tube (For Vinyl Marker Caps)	
15	25011051	Cutting Edge Bolt Kit	1				

5

STEEL C-PLOW 3800

QUADRANT / PUSH FRAME ASSEMBLY



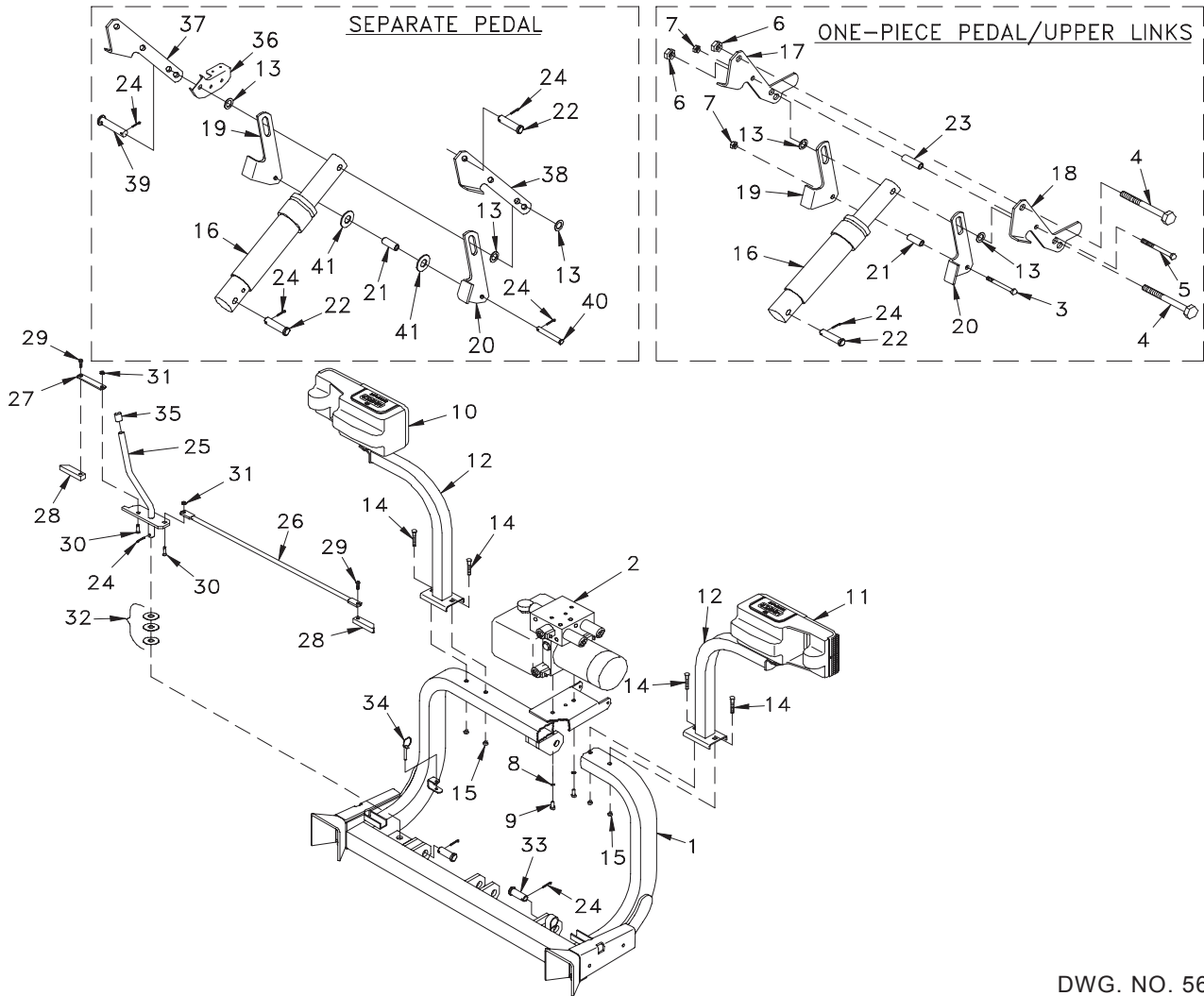
SEC 5

DWG.NO. 3865A

REF. NO.	PART NUMBER	DESCRIPTION	QTY.	REF. NO.	PART NUMBER	DESCRIPTION	QTY.
1	25010807	Push Frame / Decal Assembly	1	15	25010797	Tab Lock Pin, 1/4 x 2	1
2	25010393	Quadrant Weldment	1	16	951-005-036	Lock Nut 5/16-18 Mac Lock	1
3	25010800	Lever Weldment	1	17	950-003-074	Carriage Bolt 5/16-18 x 2 1/2 Gr. 5	1
4	25010801	Stand Foot	1	18	951-001-005	Hex Nut 3/8-16	4
5	25010058	Pull Rod Weldment	2	19	952-001-007	Lock Washer 3/8 Inch	4
6	81004090	Washer	4	20	25010798	Bracket	1
7	81004098	Compression Spring	2	21	25010795	Helical Torsion Spring	1
8	951-005-037	2-Way Lock Nut 3/4-10	5	22	25011075	Hose Loop	1
9	953-002-032	Clevis Pin 3/4 x 3	2	23	25011074	Flanged Washer 3/8 Inch	1
10	035-42033	Cotter Pin 5/32 x 1 1/4	2	24	950-001-106	Hex Head Cap Screw 3/8-16 x 1 1/4 Gr. 5	1
11	25010523	1 1/2" x 10" ORB Cylinder (See Sec. 5, Pg. 9)	2	25	25011076	Hose Loop Kit	1
12	950-001-033	Hex Head Cap Screw 3/4-10 x 4 1/2 Gr. 5	1	26	25011050	Park Stand Kit	1
13	030-16198	Carriage Bolt 3/4-10 x 3 1/2 Gr. 5	2	27	25010697	Caution Decal	1
14	950-001-105	Hex Head Cap Screw 3/8-16 x 1 Gr. 5	3				

STEEL C-PLOW 3800

LIFT FRAME ASSEMBLY

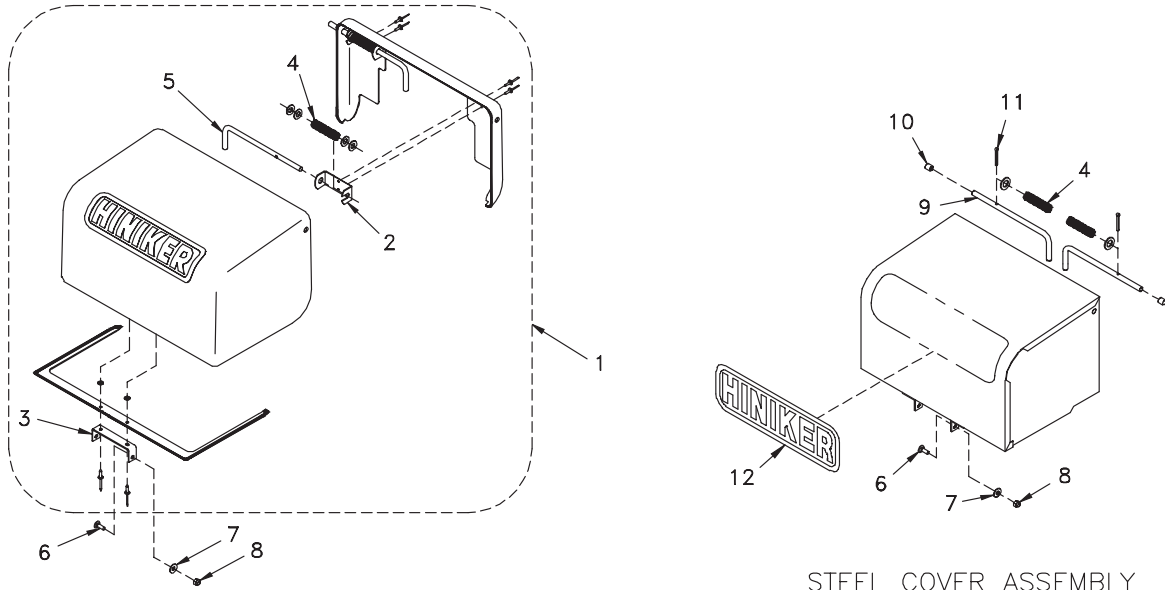


DWG. NO. 5670

REF. NO.	PART NUMBER	DESCRIPTION	QTY.	REF. NO.	PART NUMBER	DESCRIPTION	QTY.
1	25012583	Frame Weldment	1	21	25010114	Lower Link Spacer	1
2	25010928	Power Unit (See Sec. 5, Page 8)	1	22	953-002-032	Clevis Pin 3/4 x 3, One Piece Pedal/link	1
3	950-001-309	Hex Head Cap Screw 1/2-13 x 4 Gr. 5 7/8" Thread Length	1	23	953-002-032	Clevis Pin 3/4 x 3, Separate Pedal	2
4	950-001-310	Hex Head Cap Screw 3/4-10 x 4 1/4 Gr. 5 1 1/4" Thread Length	2	24	25011053	Upper Link Spacer	1
5	950-001-142	Hex Head Cap Screw 1/2-13 x 3 1/2 Gr. 5	1	24	035-42033	Cotter Pin 5/32 x 1 1/4, One Piece Pedal/link	4
6	951-003-010	Lock Nut 3/4-10 Nylon Insert	2	24	035-42033	Cotter Pin 5/32 x 1 1/4, Separate Pedal	7
7	951-003-009	Lock Nut 1/2-13 Nylon Insert	2	25	25010410	Handle Weldment	1
8	952-001-007	Lock Washer 3/8 Inch	2	26	25010274	Long Tie Rod	1
9	950-001-089	Hex Head Cap Screw 3/8-16 x 3/4 Gr. 5	2	27	25010275	Short Tie Rod	1
10	25010918	LH Light Assembly, 5-pin (See Sec. 5, Page 12)	1	28	25010276	Slider	2
11	25010919	RH Light Assembly, 5-pin (See Sec. 5, Page 12)	1	29	950-011-042	Hex Head Cap Screw 5/16-18 x 3/4 Nylon Dri-Lock	2
12	25010050	Light Bracket Weldment	2	30	030-16042	Carriage Bolt 5/16-18 x 1 Gr. 5	2
13	952-004-003	Mach Bushing 25/32 x 1 1/4 x .075, One Piece Pedal/Link	2	31	951-005-036	Lock Nut 5/16-18 Mac Lock	2
	952-004-003	Mach Bushing 25/32 x 1 1/4 x .075, Separate Pedal	3	32	952-002-007	Flat Washer 5/8 Inch	3
14	950-003-070	Carriage Bolt 3/8-16 x 2 Gr. 5	4	33	953-002-031	Clevis Pin 3/4 x 2	2
15	951-005-003	Lock Nut 3/8-16 Mac Lock	4	34	703-00209	Klik Pin	1
16	25010523	1 1/2 x 10 ORB Cylinder (See Sec. 5, Page 9)	1	35	25011230	Vinyl Cap	1
17	25011044	LH Upper Link	1	36	25010857	Pedal	1
18	25011045	RH Upper Link	1	37	25010392	LH Upper Link, Separate Pedal	1
19	25010389	LH Lower Link	1	38	25010391	RH Upper Link, Separate Pedal	1
20	25010390	RH Lower Link	1	39	953-002-035	Clevis Pin 3/4 x 3 1/4	1
				40	953-002-030	Clevis Pin 1/2 x 3 1/2	1
				41	952-002-006	Flat Washer 9/16 Inch	2

STEEL C-PLOW 3800

POWER UNIT COVER ASSEMBLY



PLASTIC COVER ASSEMBLY

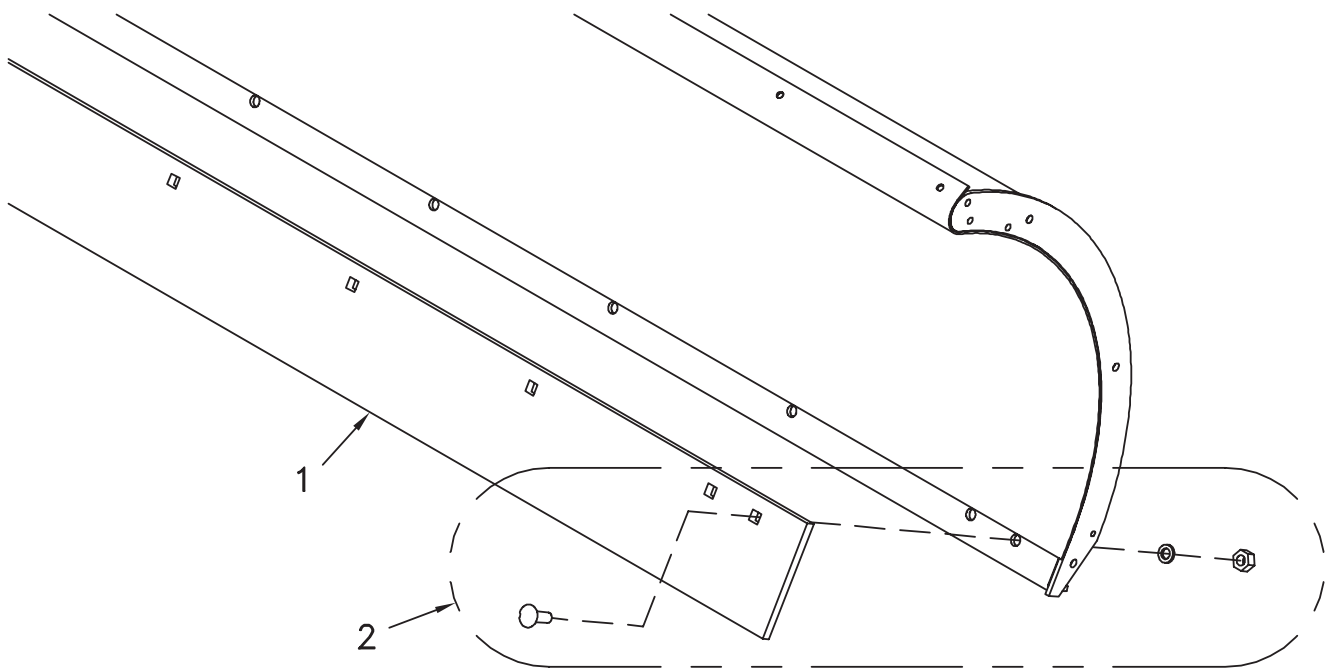
STEEL COVER ASSEMBLY

DWG. NO. 5872

REF. NO.	PART NUMBER	DESCRIPTION	QTY.	REF. NO.	PART NUMBER	DESCRIPTION	QTY.
1	25011070	Cover Assembly (Includes Items 2-5)	1	7	952-002-011	Flat Washer, 1/4 Inch	2
2	25011073	Clevis	2	8	060954	Lock Nut 1/4-20 Nylon Insert	2
3	25011072	Clevis	1	9	25010716	Rod - Steel Cover Assembly	2
4	25010717	Compression Spring	2	10	25010718	Vinyl Cover Cap	2
5	25011071	Rod - Plastic Cover Assembly	2	11	035-42033	Cotter Pin 5/32 x 1 1/4	2
6	031-10657	Machine Screw 1/4-20 x 3/4 Slotted Round Head	2	12	25010441	Hiniker Decal	1

5 CTS

1/2" THICK CUTTING EDGE

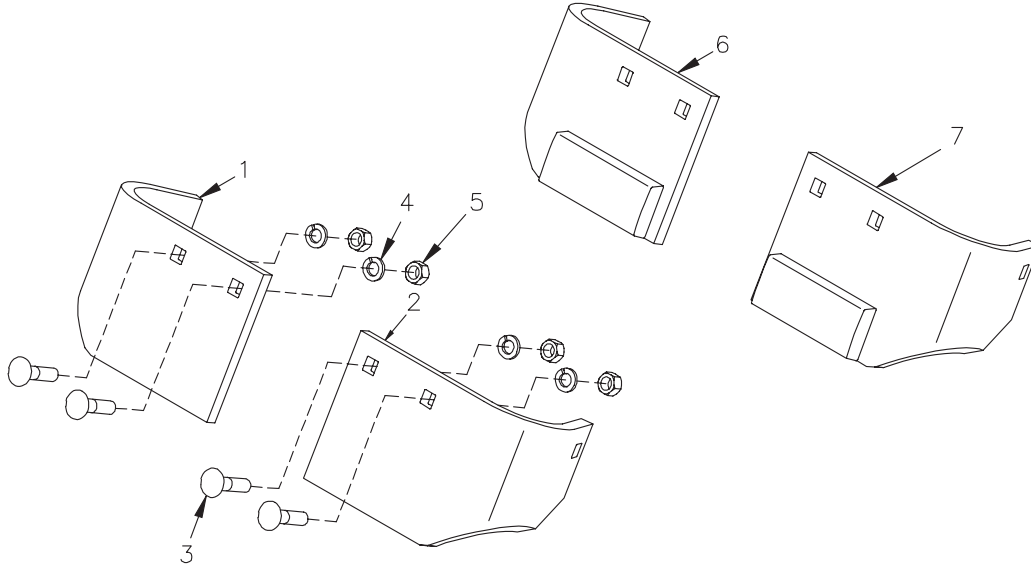


DWG. NO. 5880

REF. NO.	PART NUMBER	DESCRIPTION	QTY.	REF. NO.	PART NUMBER	DESCRIPTION	QTY.
1	25012035	1/2" Thick Cutting Edge - 8' Plow	1	2	25011051	Cutting Edge Bolt Kit	1

STEEL C-PLOW 3800

CURB GUARD KITS

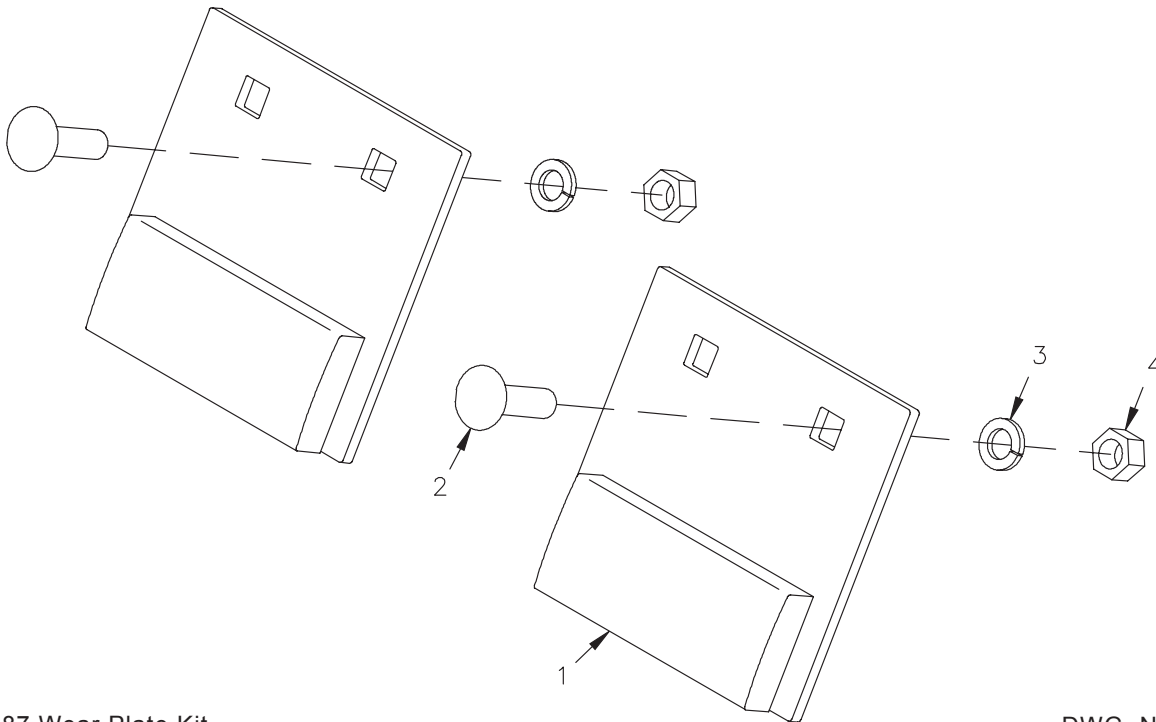


25011695 Curb Guard Kit - Standard
25012726 Curb Guard Kit With Wear Bars

DWG. NO. 5486

REF. NO.	PART NUMBER	DESCRIPTION	QTY.	REF. NO.	PART NUMBER	DESCRIPTION	QTY.
1	25011712	RH Curb Guard - Standard	1	5	951-001-007	Hex Nut 1/2-13	4
2	25011713	LH Curb Guard - Standard	1	6	25012722	RH Curb Guard With Wear Bar	1
3	950-003-025	Carriage Bolt 1/2-13 x 2 Gr. 5	4	7	25012723	LH Curb Guard With Wear Bar	1
4	952-001-004	Lock Washer 1/2 Inch	4				

WEAR PLATE KIT



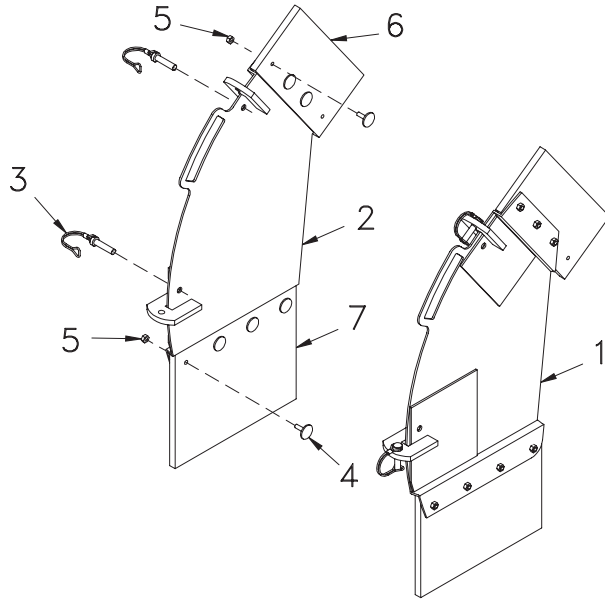
25012587 Wear Plate Kit

DWG. NO. 6331

REF. NO.	PART NUMBER	DESCRIPTION	QTY.	REF. NO.	PART NUMBER	DESCRIPTION	QTY.
1	25012588	Wear Plate Weldment	2	3	952-001-004	Lock Washer 1/2 Inch	4
2	950-003-058	Carriage Bolt 1/2-13 x 1 3/4 Gr. 5	4	4	951-001-007	Hex Nut 1/2-13	4

STEEL C-PLOW 3800

WING KIT



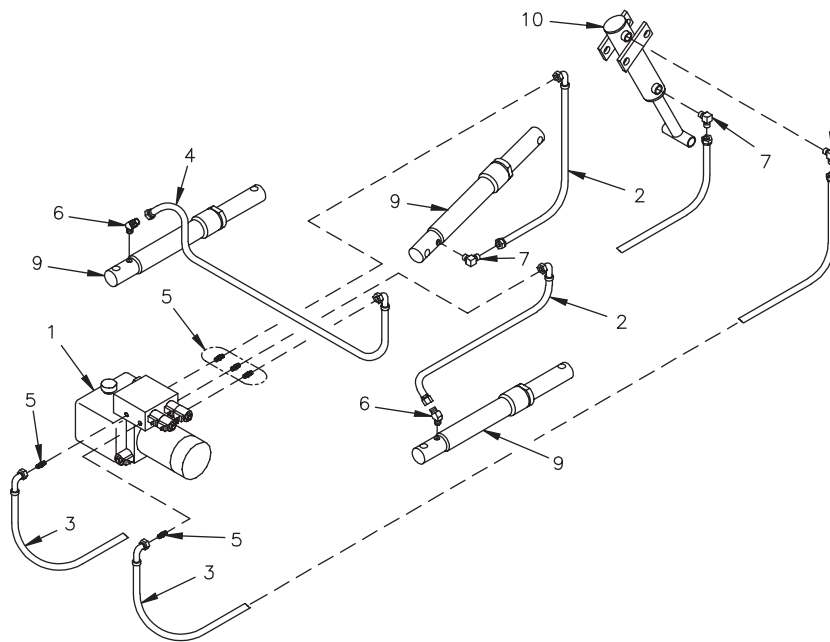
25010906 Wing Kit

DWG. NO. 5677

REF. NO.	PART NUMBER	DESCRIPTION	QTY.	REF. NO.	PART NUMBER	DESCRIPTION	QTY.
1	25010845	RH Wing Weldment	1	6	25010841	Upper Wing Rubber	2
2	25010844	LH Wing Weldment	1	7	25010840	Lower Wing Rubber	2
3	25010851	Lynch Pin 3/8 x 1 3/8	4		25010852	RH Wing Assembly	1
4	950-011-051	Elevator Bolt 1/4-20 x 1"	14		25010853	LH Wing Assembly	1
5	951-001-003	Hex Nut 1/4-20	14				

SEC 5

HYDRAULIC OVERVIEW

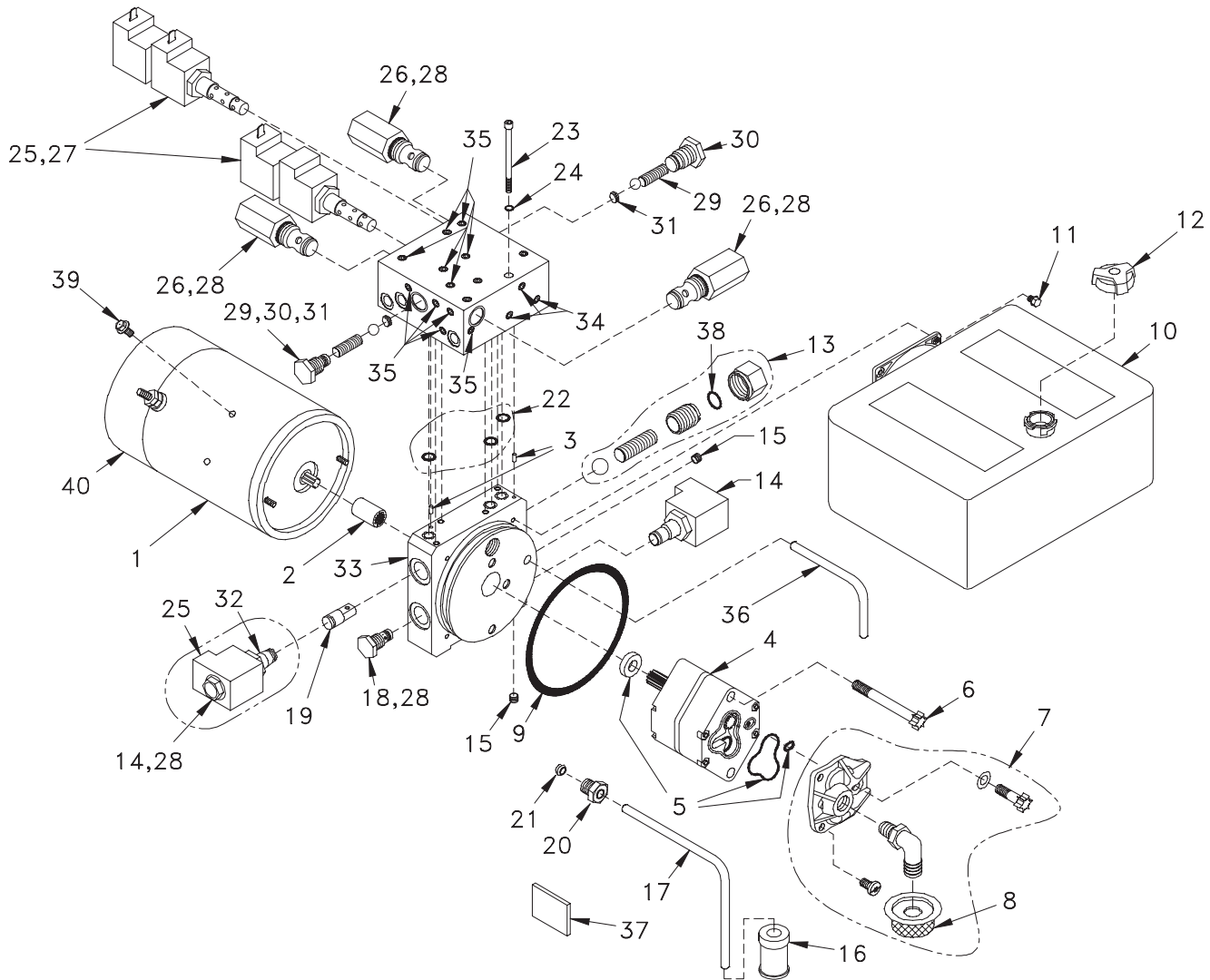


DWG. NO. 3894

REF. NO.	PART NUMBER	DESCRIPTION	QTY.	REF. NO.	PART NUMBER	DESCRIPTION	QTY.
1	25010928	Power Unit (See Sec 5, Pg. 8)	1	6	956-005-023	45° Adapter 9/16 ORB x 9/16 JIC	2
2	957-021-002	Hydraulic Hose Assembly 1/4 x 33	2	7	956-005-022	90° Adapter 9/16 ORB x 9/16 JIC	2
3	957-021-000	Hydraulic Hose Assembly 1/4 x 66	2	8	956-005-025	90° Restricted Adapter 9/16 ORB x 9/16 JIC	1
4	957-021-001	Hydraulic Hose Assembly 1/4 x 54	1	9	25010523	1 1/2 x 10 Hydraulic Cylinder (See Sec 5, Pg. 9)	3
5	206-01024	Straight Adapter 9/16 ORB x 9/16 JIC	5	10	25010815	2 x 6 Hydraulic Cylinder (See Sec 5, Pg. 9)	1

STEEL C-PLOW 3800

POWER UNIT



25010928 Power Unit

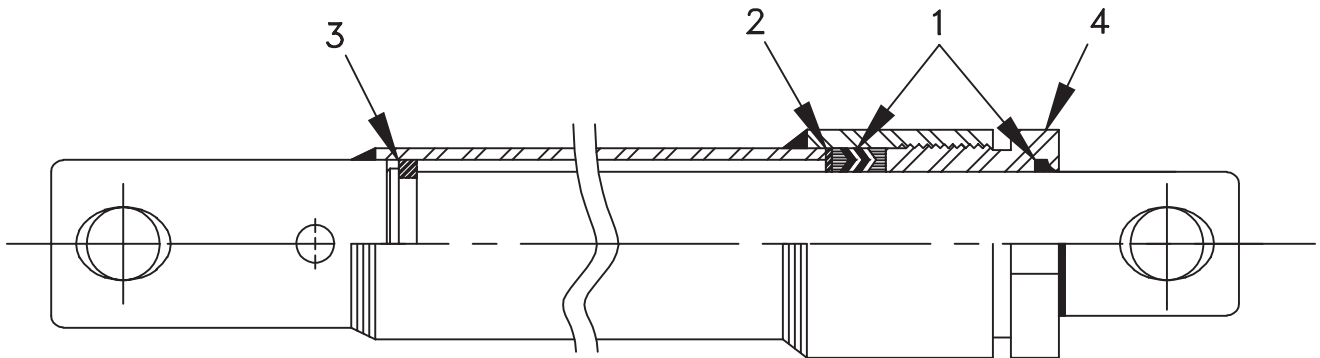
DWG. NO. 3927A

REF. NO.	PART NUMBER	DESCRIPTION	QTY.	REF. NO.	PART NUMBER	DESCRIPTION	QTY.
1	25010230	Motor	1	21	25010930	Compression Tube Sleeve	1
2	25010214	Coupling	1	22	25010762	Manifold O-Ring Kit	1
3	25010235	1/8 x 1/4 Pin	3	23	950-004-090	Socket Head Set Screw 1/4 x 2 3/4	4
4	25010239	Pump Assembly	1	24	952-001-001	Lock Washer 1/4 Inch	4
5	25010334	Pump O-Ring Kit	1	25	25011917	Solenoid Coil, Double Spade W/Ground Wire	6
6	950-011-041	Torx Head Bolt 5/16 x 2 3/4	2	26	25010985	Cross Over Relief	3
7	25010332	Inlet Plumbing Kit	1	27	25011525	Spool Valve	2
8	25010221	Inlet Filter	1	28	25010992	O-Ring Kit (Release & Check)	5
9	25010236	Reservoir O-Ring	1	29	25010988	Spring & Ball Assembly	2
10	25010738	Reservoir	1	30	25010989	Cap Assembly	2
11	950-004-071	Machine Screw #12 x 1/2 Hex Head	4	31	25010990	Valve Seat Sub Assembly	2
12	25010217	Breather	1	32	25010544	Cartridge Release Valve	2
13	25010330	Adjustable Relief Valve Kit	1	33	25010933	End Head	1
14	25011920	Release Valve Kit, Double Spade W/Ground Wire	2	34	25010761	1/8 NPTF Flush Pipe Plug	6
15	25010761	Plug 1/8 NPT	2	35	25010987	1/16 NPT Flush Plug	18
16	25010745	Return Tube Filter	1	36	25010935	Return Tube x 90° Bend	1
17	25010744	Return Tube x 90° Bend	1	37	25010220	Plumbing Magnet	1
18	25010746	Check Valve	1	38	25010518	Relief Valve O-Ring	1
19	25010542	Flow Control Valve	1	39	950-004-072	Machine Screw 1/4-20 x 1/4 Hex Washer Head	1
20	25010929	Compression Tube Nut	1	40	25010337	Motor Brush Kit	1

5 S E C

STEEL C-PLOW 3800

1 1/2 X 10 HYDRAULIC CYLINDER



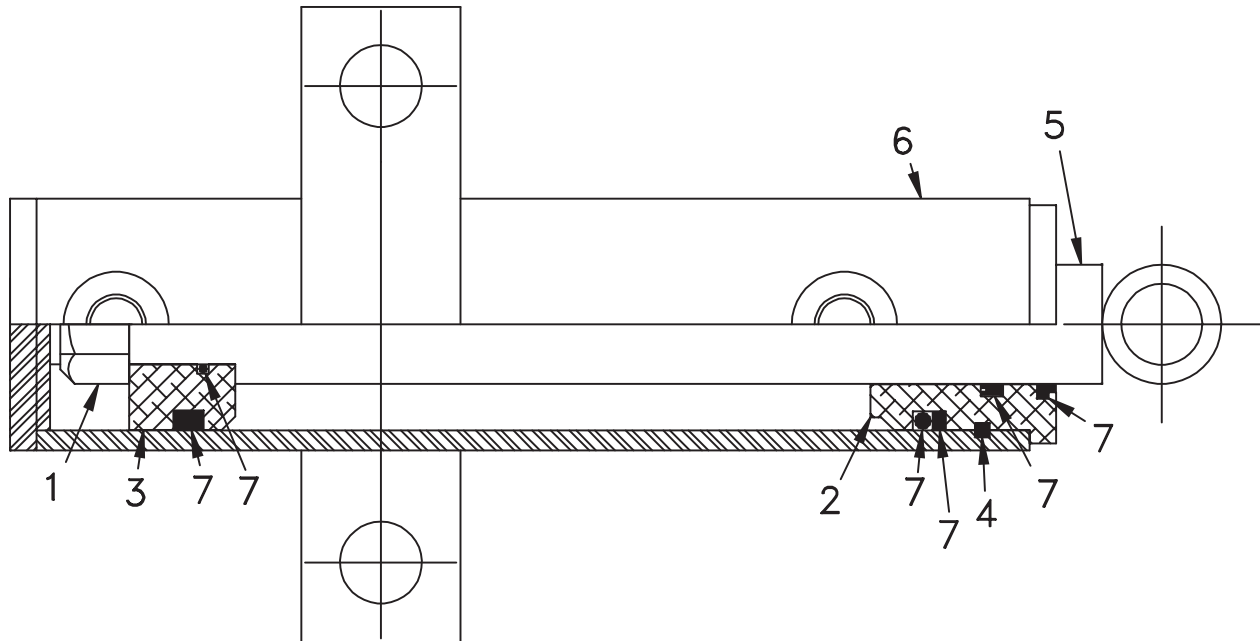
25010523 1 1/2 x 10 Cylinder

DWG. NO. 3941

REF. NO.	PART NUMBER	DESCRIPTION	QTY.	REF. NO.	PART NUMBER	DESCRIPTION	QTY.
1	25010464	Seal Kit	1	3	25010017	Guide Ring	1
2	25010016	Seat Ring	1	4	25010018	Packing Nut	1

SECTION 5

2 X 6 HYDRAULIC CYLINDER



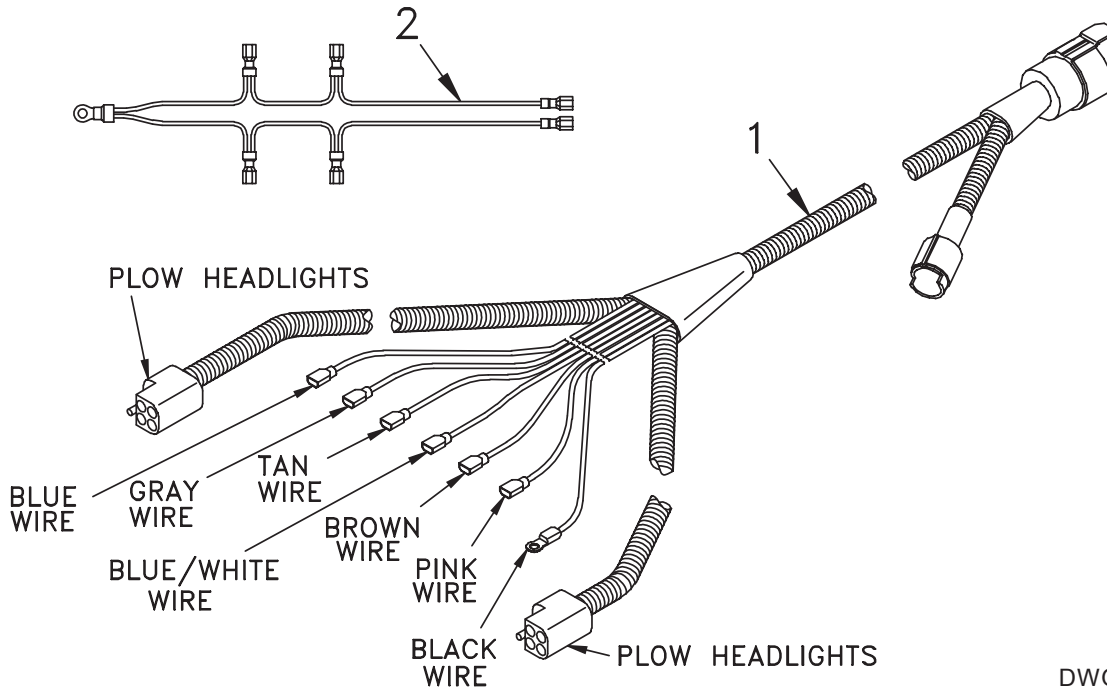
25010815 Hydraulic Cylinder

DWG. NO. 3913

REF. NO.	PART NUMBER	DESCRIPTION	QTY.	REF. NO.	PART NUMBER	DESCRIPTION	QTY.
1	25010970	Nut	1	5	25010979	Shaft With Clevis	1
2	25010971	Head	1	6	25010980	Barrel With Clevis & Ports	1
3	25010972	Piston	1	7	25010982	Repair Kit	1
4	25010978	Retaining Ring	1				

STEEL C-PLOW 3800

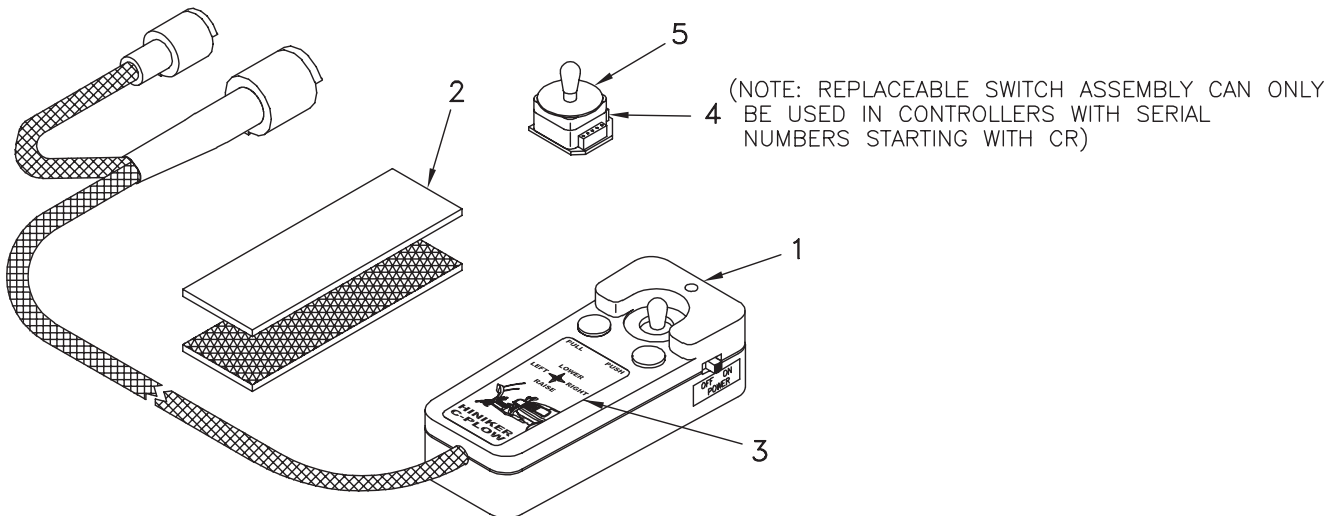
PLOW WIRING HARNESS



DWG. NO. 5566

REF. NO.	PART NUMBER	DESCRIPTION	QTY.	REF. NO.	PART NUMBER	DESCRIPTION	QTY.
1	38813035	6 Function External Cable Assembly	1	2	38813070	Ground Harness With 5/16" Ring	1

JOYSTICK CONTROLLER

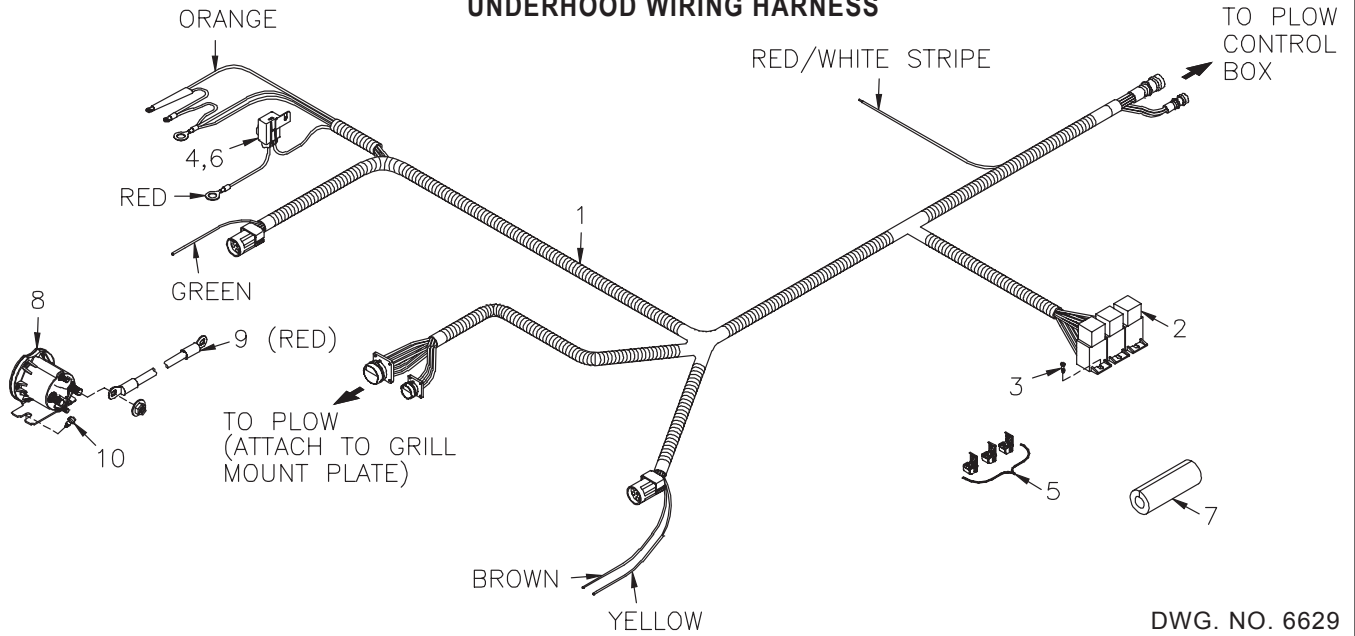


DWG. NO. 5927

REF. NO.	PART NUMBER	DESCRIPTION	QTY.	REF. NO.	PART NUMBER	DESCRIPTION	QTY.
1	36014022	Joystick W/Replaceable Switch, C-Plow	1	4	36014019	Replaceable Switch Assembly	1
2	39108005	Hook & Loop Assembly	1	5	36716033	Gasket	1
3	39302143	Decal, C-Plow Joystick, 2 Sided	1				

STEEL C-PLOW 3800

UNDERHOOD WIRING HARNESS

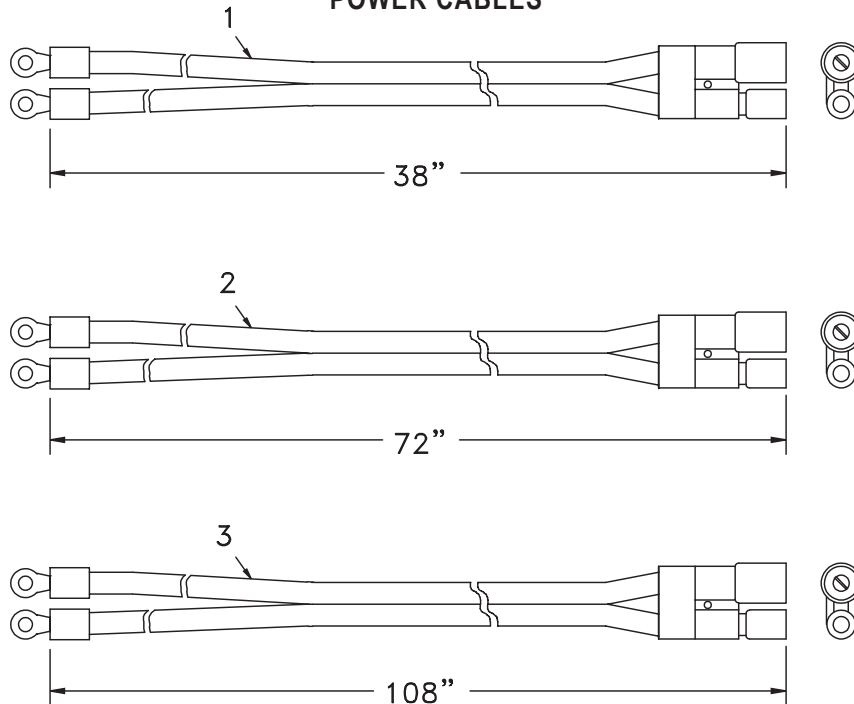


DWG. NO. 6629

REF. NO.	PART NUMBER	DESCRIPTION	QTY.	REF. NO.	PART NUMBER	DESCRIPTION	QTY.
1	38813033	Harness, 6 Function Underhood (Includes Relays And Fuses)	1	6	38400012	Cover, Fuse Holder	1
2	38350010	Head Light/Accessory Relay	3	7	39107001	Foam Grommet 4" Long	1
3	031-30078	Self Tap Screw #8-18 x 1/2 Slotted Hex Head	3	8	38350015	Starter Solenoid, Sealed	1
4	39207031	10 Amp Fuse	1	9	950-005-004	Self Tap Screw 1/4-20 x 1/2 Hex Washer Head	2
5	38610104	Sealed Quick Connect	3	10	38813012	Solenoid Cable, Red	1

S C S 5

POWER CABLES

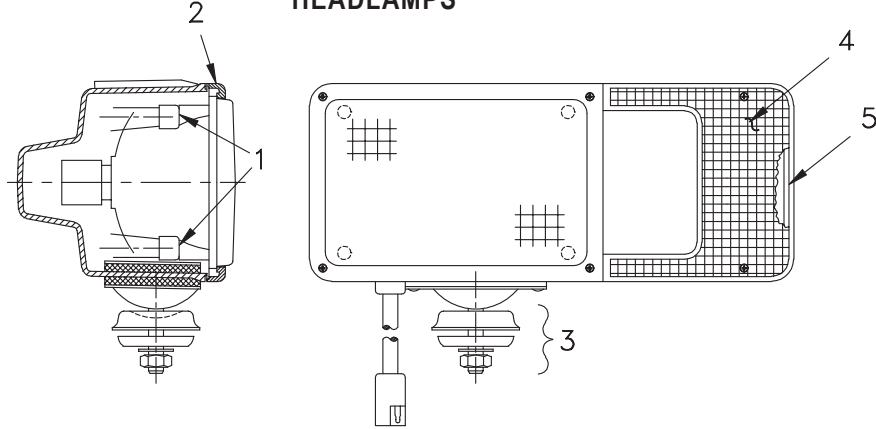


DWG. NO. 5342

REF. NO.	PART NUMBER	DESCRIPTION	QTY.	REF. NO.	PART NUMBER	DESCRIPTION	QTY.
1	38812008	Battery Power Cable - Snow Plow	1	3	38813066	Battery Power Cable - Truck 9 Ft.	1
2	38813007	Battery Power Cable - Truck 6 Ft.	1				

STEEL C-PLOW 3800

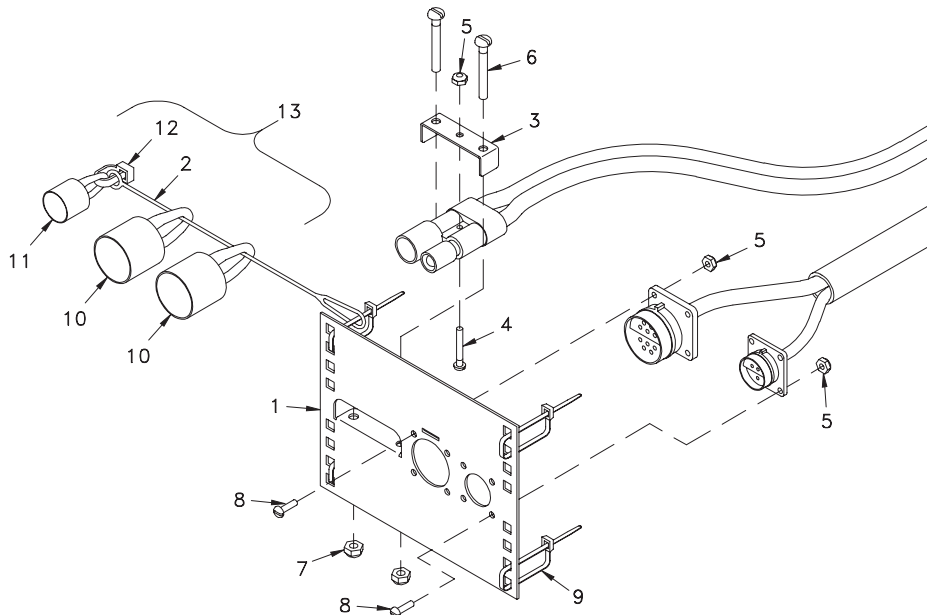
HEADLAMPS



PIN 5 RED WIRE (HIGH BEAM) PIN 2 YELLOW WIRE (PARKING)
 PIN 4 GREEN WIRE (LOW BEAM) REC. 1 WHITE WIRE (COMMON)
 PIN 3 BLUE WIRE (TURN SIGNAL) DWG. NO. 3893

REF. NO.	PART NUMBER	DESCRIPTION	QTY.	REF. NO.	PART NUMBER	DESCRIPTION	QTY.
	25010918	LH Light Assy (5 Pin Connector)		5	25010731	Head Lamps Lens Gasket	1
	25010919	RH Light Assy (5 Pin Connector)			N/A	Sealed Beam - HP6545 12VDC	1
1	25010727	Head Lamp Bumper	4			4.00" x 6.50" (100 mm x 165 mm)	
2	25010728	Head Lamp Rim	1			Rectangular Hi/Lo (65W/45W)	
3	25010729	Head Lamp Swivel Kit	1		N/A	Turn Signal/Park Bulb One #1157 Heavy Duty	1
4	25010730	Head Lamp Lens	1			Double Contact 32/3 C.P.	

GRILL MOUNT PLATE



DWG. NO. 6332

REF. NO.	PART NUMBER	DESCRIPTION	QTY.	REF. NO.	PART NUMBER	DESCRIPTION	QTY.
	25010783	Complete Mount Plate Kit Items 1-13	1	7	392-010-010	Lock Nut #10-24 Nylon Insert	2
1	36507004	Plug Mount Plate	1	8	950-004-033	Machine Screw #6-32 x 1/2 Slotted Pan Head	8
2	36716025	Nylon Lanyard 8"	1	9	367-001-011	Plastic Tie, 14"	4
3	25011037	Clamp	1	10	36716002	Large Dust Cap	2
4	700-10904	Machine Screw #6-32 x 1" Slotted Pan Head	1	11	36716034	Small Dust Cap	1
5	951-003-014	Lock Nut #6-32 Nylon Insert	9	12	367-001-014	Cable Tie, 8 In.	1
6	950-004-076	Machine Screw #10-24 x 1 1/2 Slotted Pan Head	2	13	36014018	Dust Cap Assembly	1