

# SECTION 4

# STEEL V-PLOW

FOR SERIES 1851, 1951 V-PLOWS

## PLOW COMPONENTS

- PAGE 2 MOLDBOARD ASSEMBLIES
- PAGE 3 MOLDBOARD WING WELDMENTS
- PAGE 4 PUSH FRAME ASSEMBLY
- PAGE 5 LIFT FRAME ASSEMBLY
- PAGE 6 POWER UNIT COVER ASSEMBLY  
BACKDRAG WING KIT
- PAGE 7 RUBBER SNOW DEFLECTOR KITS  
POLY SNOW DEFLECTOR KITS
- PAGE 8 WEAR PLATE KIT  
CURB GUARD KITS

## HYDRAULIC COMPONENTS

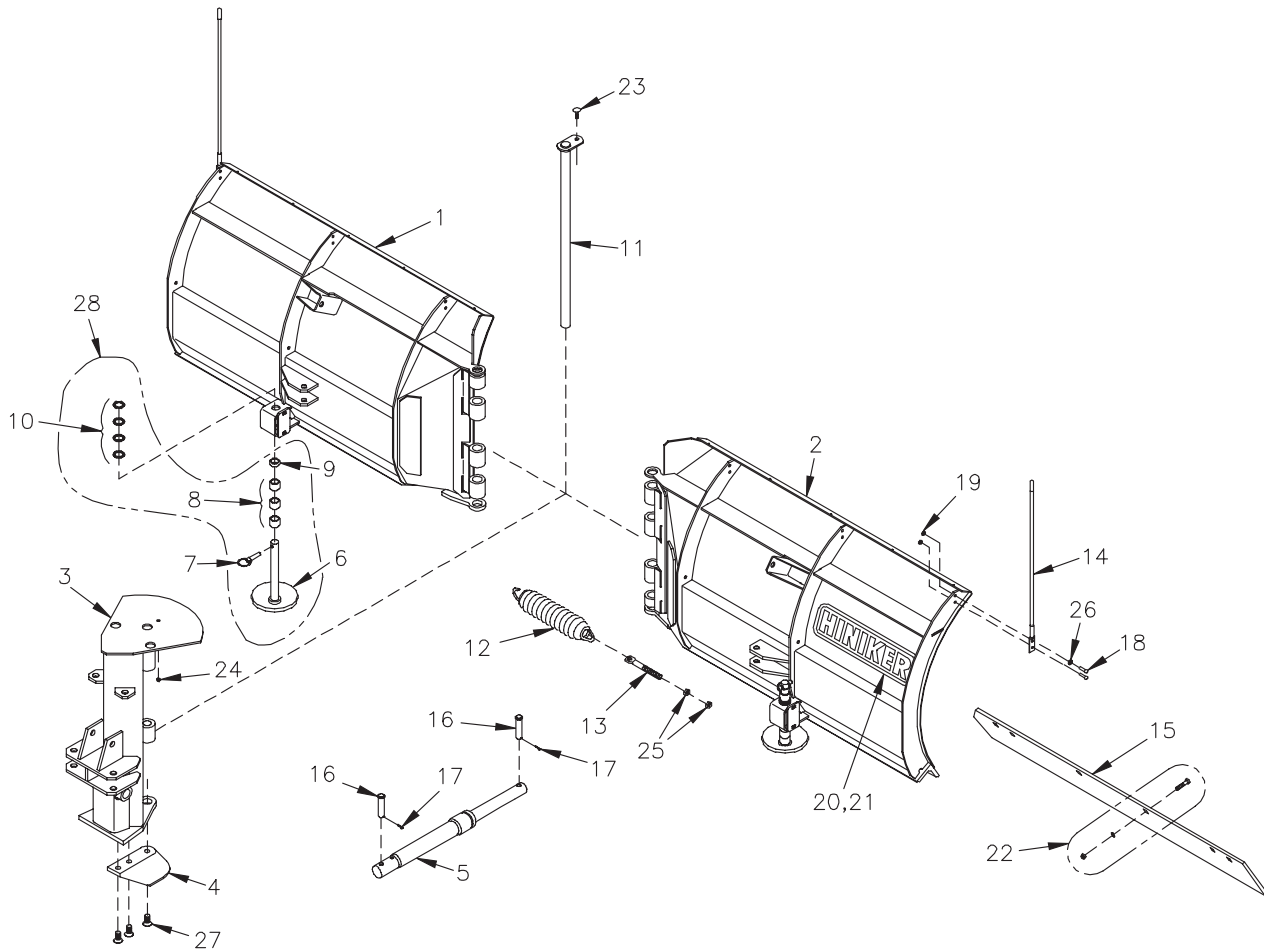
- PAGE 9 HYDRAULIC OVERVIEW  
HYDRAULIC CYLINDERS
- PAGE 10 POWER UNIT MODEL DB-1474
- PAGE 11 POWER UNIT MODEL DB-1363

## ELECTRICAL COMPONENTS

- PAGE 12 PLOW WIRING HARNESS  
JOYSTICK CONTROLLER
- PAGE 13 UNDERHOOD WIRING HARNESS  
POWER CABLES
- PAGE 14 HEADLAMPS  
GRILL MOUNT PLATE

MOLDBOARD ASSEMBLIES

SEC 4

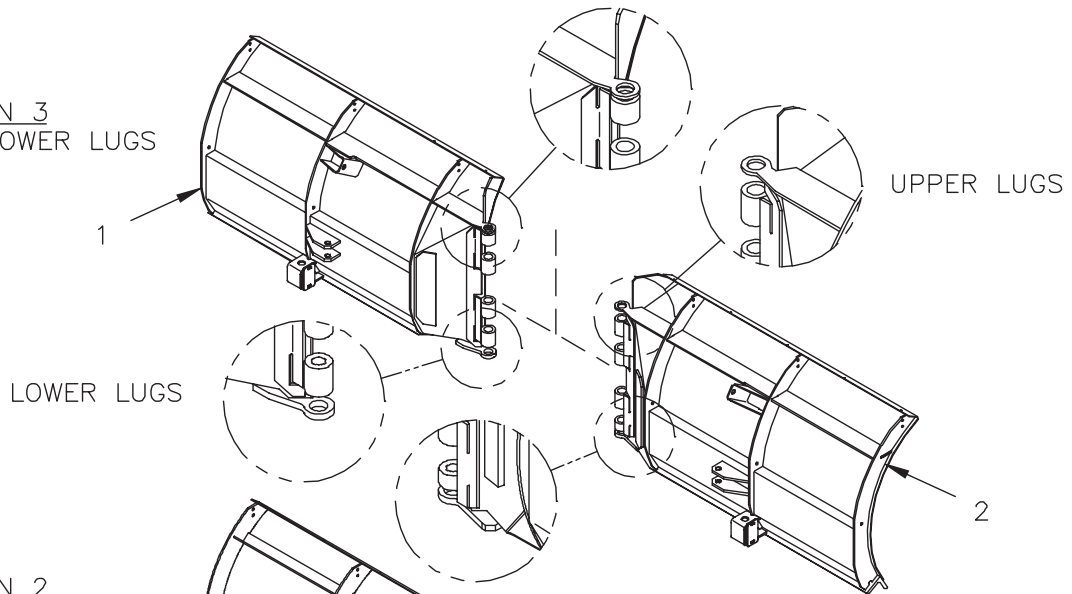


DWG. NO. 3909B

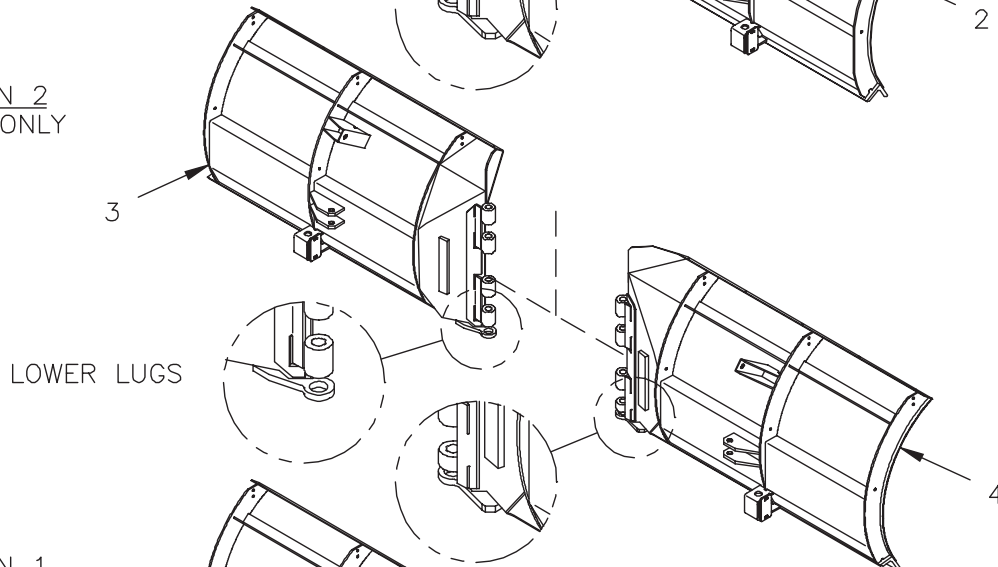
REF. NO.	PART NUMBER	DESCRIPTION	QTY.	REF. NO.	PART NUMBER	DESCRIPTION	QTY.
1	(See Page 3)	LH Wing Weldment	1	16	953-002-032	Clevis Pin 3/4 x 3	4
2	(See Page 3)	RH Wing Weldment	1	17	035-42033	Cotter Pin 5/32 x 1 1/4	4
3	25011047	Mast Weldment	1	18	950-001-110	Hex Head Cap Screw 5/16-18 x 1 Gr. 5	4
4	25010813	Cone	1	19	951-005-036	Lock Nut 5/16 Mac Lock	4
5	25010523	1 1/2 x 10 Cylinder (See Sec. 4, Page 9) (8 1/2')	2	20	85501786	Hiniker Decal 8 x 2 1/2 (9 1/2' Plow Only)	1
	25011020	1 3/4 x 10 Cylinder (See Sec. 4, Page 9) (9 1/2')	2	21	79202024	Hiniker Decal 17 1/2 x 5 (8 1/2' Plow)	2
6	25011478	Cast Iron Skid	2			Hiniker Decal 17 1/2 x 5 (9 1/2' Plow)	1
7	25010319	Klik Pin	2	22	25011042	Cutting Edge Bolt Kit	1
8	25010049	1" Skid Spacer	6	23	950-003-029	Carriage Bolt 3/8-16 x 1 Gr. 5	1
9	25010048	1/2" Skid Spacer	2	24	951-005-003	Lock Nut 3/8-16 Mac Lock	1
10	952-004-071	Machinery Bushing	8	25	951-001-008	Hex Nut 5/8-11	4
11	25010868	Hinge Pin Weldment	1	26	952-002-002	Flat Washer, 5/16 Inch	2
12	25010694	Extension Spring	2	27	950-011-052	Flat Socket Head Cap Screw 5/8-11 x 1 1/4"	3
13	25010689	Spring Stud	2	28	25011487	Cast Iron Skid Assembly	2
14	25010118	Blade Guide	2				
15	25010688	50" Cutting Edge For 8 1/2' Plow	2				
	25010865	56" Cutting Edge For 9 1/2' Plow	2				

MOLDBOARD WING WELDMENTS

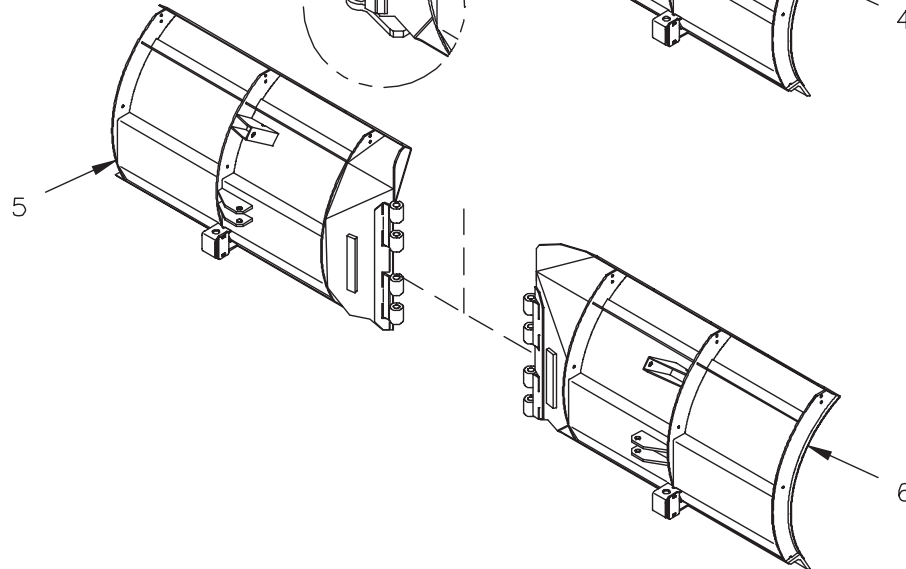
HINGE VERSION 3  
UPPER AND LOWER LUGS



HINGE VERSION 2  
LOWER LUGS ONLY



HINGE VERSION 1



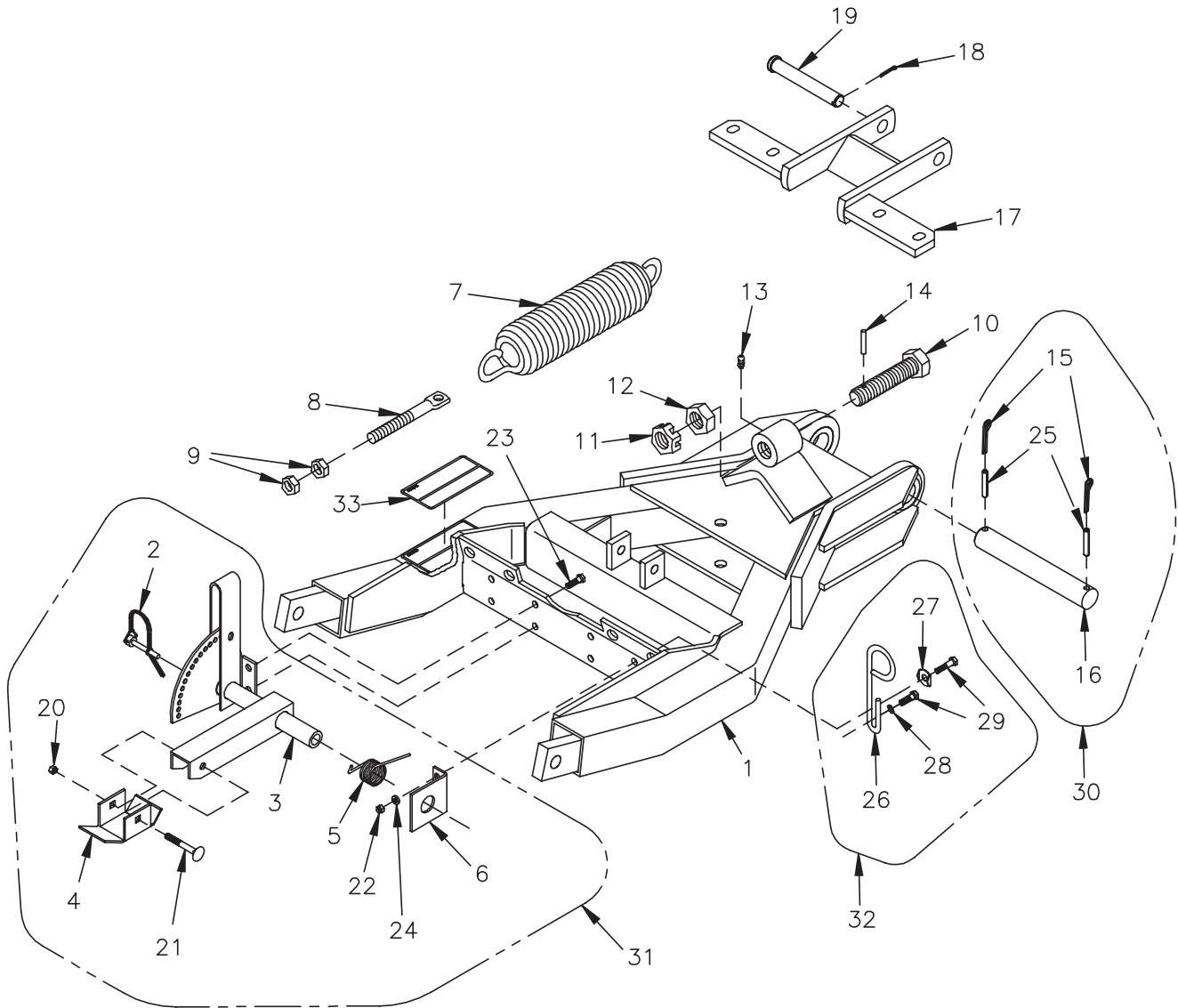
DWG. NO. 5092

SEC 4

REF. NO.	PART NUMBER	DESCRIPTION	QTY.	REF. NO.	PART NUMBER	DESCRIPTION	QTY.
1	25011206	LH Wing Weldment, 8 1/2' V-Plow	1	4	25011193	RH Wing Weldment, 8 1/2' V-Plow	1
	25011208	LH Wing Weldment, 9 1/2' V-Plow	1	5	25010870	LH Wing Weldment, 8 1/2' V-Plow	1
2	25011207	RH Wing Weldment, 8 1/2' V-Plow	1		25010867	LH Wing Weldment, 9 1/2' V-Plow	1
	25011209	RH Wing Weldment, 9 1/2' V-Plow	1	6	25010871	RH Wing Weldment, 8 1/2' V-Plow	1
3	25011192	LH Wing Weldment, 8 1/2' V-Plow	1		25010866	RH Wing Weldment, 9 1/2' V-Plow	1

PUSH FRAME ASSEMBLY

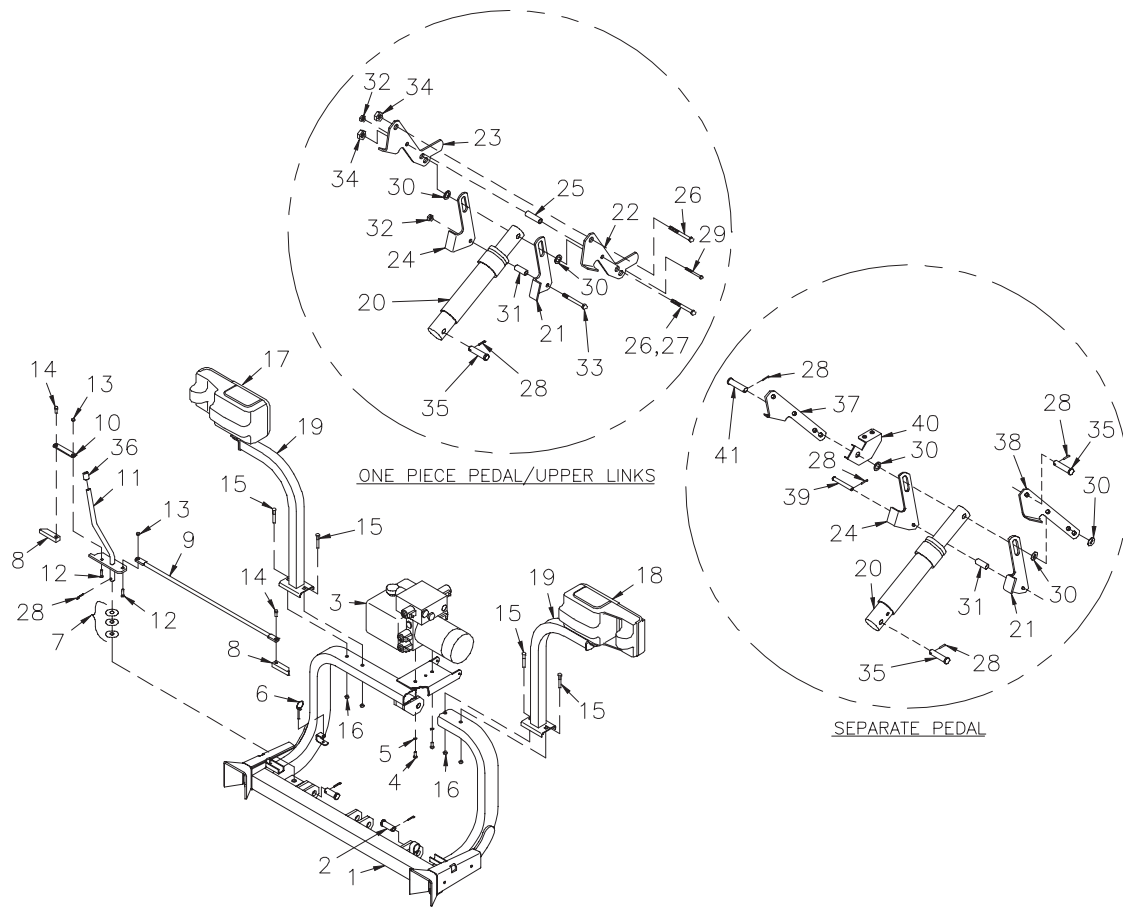
SEC  
4



DWG. NO. 3911B

REF. NO.	PART NUMBER	DESCRIPTION	QTY.	REF. NO.	PART NUMBER	DESCRIPTION	QTY.
1	25010999	Push Frame / Decal Assembly	1	17	25010882	Spring Bar Weldment	1
2	25010797	Tab Lock Pin	1	18	035-42033	Cotter Pin 5/32 x 1 1/4	1
3	25010915	Lever Weldment	1	19	953-002-038	Clevis Pin 3/4 x 5 1/2	1
4	25010801	Stand Foot	1	20	951-005-036	Lock Nut 5/16-18 Mac Lock	1
5	25010795	Helical Torsion Spring	1	21	950-003-074	Carriage Bolt 5/16-18 x 2 1/2 Gr. 5	1
6	25010798	Bracket	1	22	951-001-005	Hex Nut, 3/8-16	4
7	25010694	Extension Spring	4	23	950-001-105	Hex Head Cap Screw 3/8-16 x 1 Gr. 5	2
8	25010689	Spring Stud	4	24	952-001-007	Lock Washer, 3/8 Inch	4
9	951-001-008	Hex Nut, 5/8-11	8	25	953-003-011	Slotted Spring Pin 5/16 x 1 3/4	2
10	25011043	Drilled Bolt 1"-8 x 4" Gr. 5	1	26	25011075	Hose Loop	1
	25010696	Drilled Bolt 1"-8 x 4 1/2" Gr. 5	1	27	25011074	Flanged Washer, 3/8 Inch	1
11	034-05138	Slotted Hex Nut 1"-8	1	28	952-002-003	Flat Washer, 3/8 Inch	1
12	951-005-058	Hex Jam Nut 1"-8	1	29	950-001-106	Hex Head Cap Screw 3/8-16 x 1 1/4 Gr. 5	2
13	955-001-002	Grease Fitting 1/4-28	1	30	25011040	Trip Pin Kit	1
14	953-003-006	Slotted Spring Pin 1/4 x 1 1/2	1	31	25011041	Park Stand Kit	1
15	953-001-022	Cotter Pin 1/8 x 2 1/2	2	32	25011076	Hose Loop Kit	1
16	25011059	Trip Pin	1	33	25010697	Caution Decal	1

LIFT FRAME ASSEMBLY



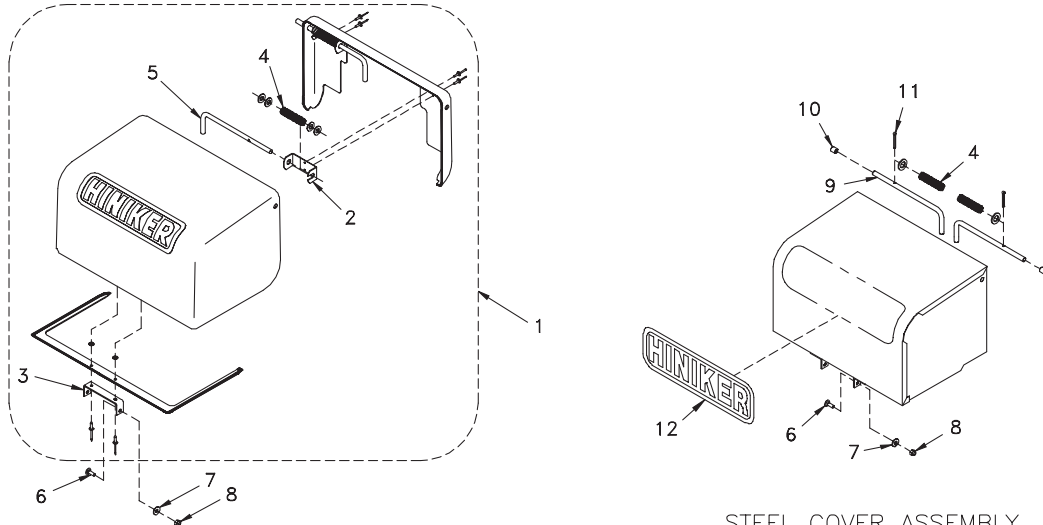
DWG. NO. 5671

REF. NO.	PART NUMBER	DESCRIPTION	QTY.	REF. NO.	PART NUMBER	DESCRIPTION	QTY.
1	25012583	Frame Weldment	1	25	25011048	Upper Link Spacer, 8 1/2' V-Plow	1
2	953-002-031	Clevis Pin 3/4 x 2	2	25011049	Upper Link Spacer, 9 1/2' V-Plow	1	
3	25011658	Power Unit W/Double Spade Coils (See Sec. 4. P. 10)	1	26	950-001-310	Hex Head Cap Screw 3/4-10 x 4 1/4 Gr. 5, 1 1/4" Thread Length, 8 1/2' V-Plow	2
4	950-001-089	Hex Head Cap Screw 3/8-16 x 3/4 Gr. 5	2		950-001-310	Hex Head Cap Screw 3/4-10 x 4 1/4 Gr. 5, 1 1/4" Thread Length, 9 1/2' V-Plow	1
5	952-001-007	Lock Washer, 3/8 Inch	2	27	950-001-311	Hex Head Cap Screw 3/4-10 x 4 1/2 Gr. 5, 1 1/4" Thread Length, 9 1/2' V-Plow	1
6	703-00209	Klik Pin	1	28	035-42033	Cotter Pin 5/32 x 1 1/4, One Piece Pedal/Link	4
7	952-002-007	Flat Washer, 5/8 Inch	3		035-42033	Cotter Pin 5/32 x 1 1/4, Separate Pedal	7
8	25010276	Slider	2	29	950-001-124	Hex Head Cap Screw 1/2-13 x 4 Gr. 5	1
9	25010274	Long Tie Rod	1	30	952-004-003	Mach Bushing 25/32 x 1 1/4 X .075, One Piece Pedal/Link	2
10	25010275	Short Tie Rod	1		952-004-003	Mach Bushing 25/32 x 1 1/4 X .075, Separate Pedal	3
11	25010410	Handle Weldment	1	31	25010114	Lower Link Spacer	1
12	030-16042	Carriage Bolt 5/16-18 x 1" Gr. 5	2	32	951-003-009	Lock Nut 1/2-13 Nylon Insert	2
13	951-005-036	Lock Nut 5/16-18 Mac Lock	2	33	950-001-309	Hex Head Cap Screw 1/2-13 x 4 Gr. 5 7/8 Thread Length	1
14	950-011-042	Hex Head Cap Screw 5/16-18 x 3/4 Nylon Dri-Lock	2	34	951-003-010	Lock Nut, 3/4-10 Nylon Insert	2
15	950-003-070	Carriage Bolt 3/8-16 x 2 Gr. 5	4	35	953-002-032	Clevis Pin 3/4 x 3, One Piece Pedal/link	1
16	951-005-003	Lock Nut 3/8-16 Mac Lock	4		953-002-032	Clevis Pin 3/4 x 3, Separate Pedal	2
17	25010918	LH Light Assembly, 5-pin (See Sec. 4, Page 14)	1	36	25011230	Vinyl Cap	1
18	25010919	RH Light Assembly, 5-pin (See Sec. 4, Page 14)	1	37	25010392	LH Upper Link, Separate Pedal	1
19	25011334	Light Bracket Weldment, 19 1/2 Inches Tall	2	38	25010391	RH Upper Link, Separate Pedal	1
	25010050	Light Bracket Weldment, 16 1/2 Inches Tall	2	39	953-002-030	Clevis Pin 1/2 x 3 1/2	1
20	25010702	1 3/4 x 8 Cylinder (See Sec. 4, Page 9) 8 1/2' V-Plow	1	40	25010857	Pedal	1
	25011019	2 x 8 Cylinder (See Sec. 4, Page 9) 9 1/2' V-Plow	1	41	953-002-033	Clevis Pin 3/4 X 3 1/2	1
21	25010390	RH Lower Link	1				
22	25011045	RH Upper Link	1				
23	25011044	LH Upper Link	1				
24	25010389	LH Lower Link	1				

SEC 4

STEEL V-PLOW 1851-1951

POWER UNIT COVER ASSEMBLY



PLASTIC COVER ASSEMBLY

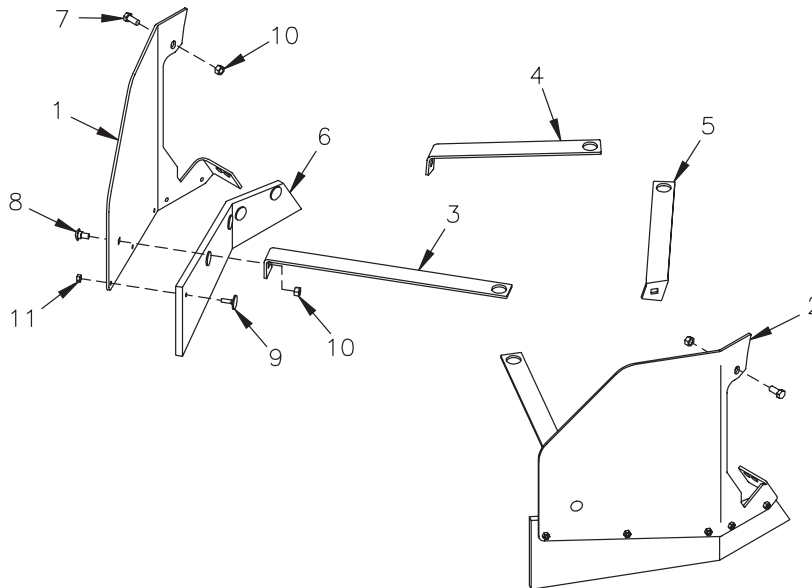
STEEL COVER ASSEMBLY

DWG. NO. 5872

SEC 4

REF. NO.	PART NUMBER	DESCRIPTION	QTY.	REF. NO.	PART NUMBER	DESCRIPTION	QTY.
1	25011070	Cover Assembly (Includes Items 2-5)	1	7	952-002-011	Flat Washer, 1/4 Inch	2
2	25011073	Clevis	2	8	060954	Lock Nut 1/4-20 Nylon Insert	2
3	25011072	Clevis	1	9	25010716	Rod - Steel Cover Assembly	2
4	25010717	Compression Spring	2	10	25010718	Vinyl Cover Cap	2
5	25011071	Rod - Plastic Cover Assembly	2	11	035-42033	Cotter Pin 5/32 x 1 1/4	2
6	031-10657	Machine Screw 1/4-20 x 3/4 Slotted Round Head	2	12	25010441	Hiniker Decal	1

BACKDRAG WING KIT

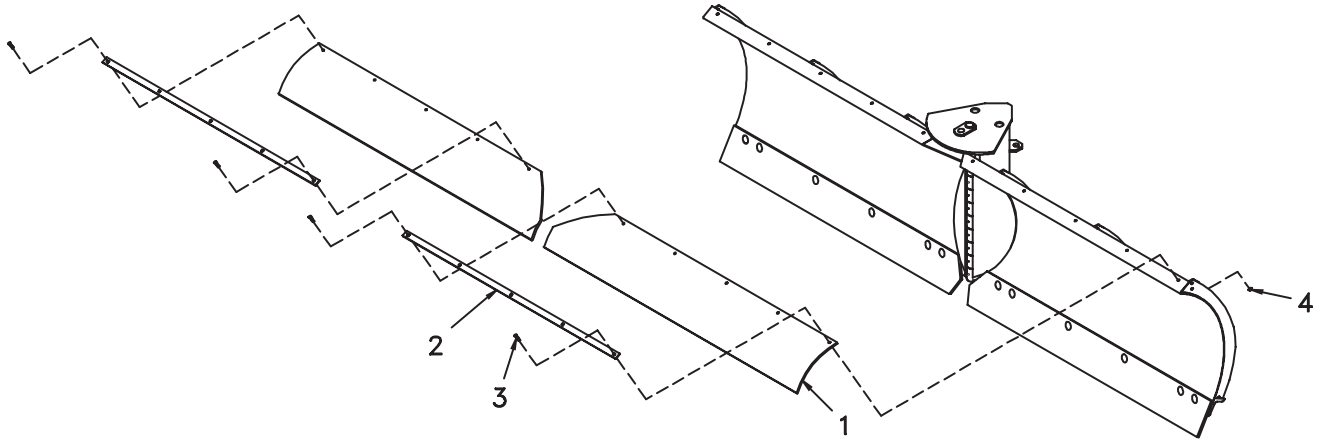


25011013 V-Plow Backdrag Wing Kit

DWG. NO. 5244

REF. NO.	PART NUMBER	DESCRIPTION	QTY.	REF. NO.	PART NUMBER	DESCRIPTION	QTY.
1	25011014	LH Wing Blank	1	7	950-001-204	Hex Head Cap Screw 3/8-16 x 7/8 Gr. 5	2
2	25011015	RH Wing Blank	1	8	030-16067	Carriage Bolt 3/8-16 x 3/4 Gr. 5	2
3	25011016	Strap 8 1/2' V-plow (Longer)	2	9	950-011-051	Elevator Bolt 1/4-20 x 1"	10
4	25011467	LH Strap, 9 1/2' V-plow (Shorter)	1	10	951-005-003	Lock Nut 3/8-16 Mac Lock	4
5	25011466	RH Strap, 9 1/2' V-plow (Shorter)	1	11	951-001-003	Hex Nut 1/4-20	10
6	25011017	Wing Rubber	2				

RUBBER SNOW DEFLECTOR KITS



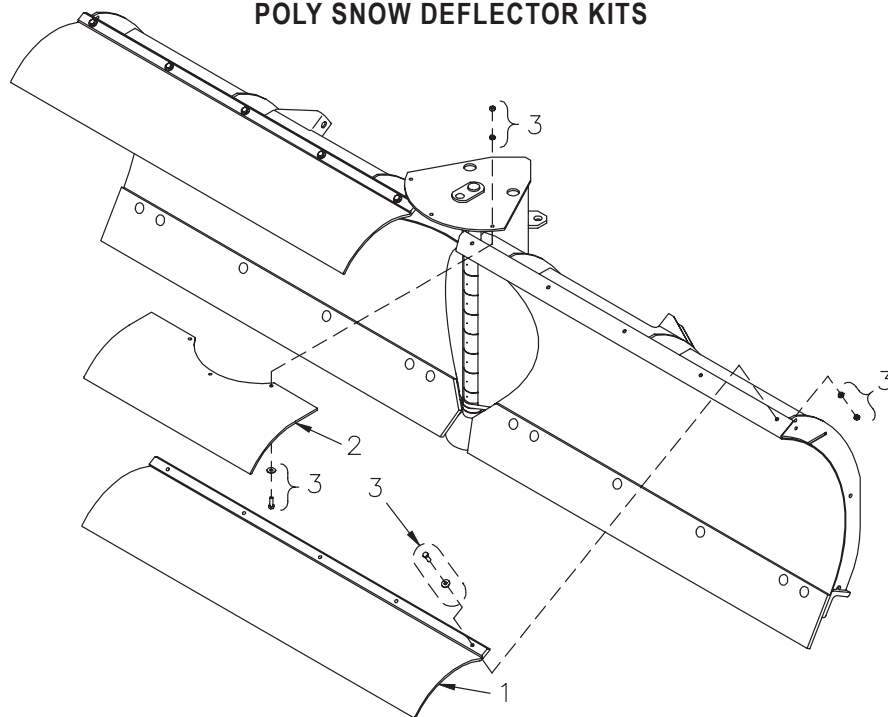
25010633 Snow Deflector Kit For 8 1/2' V-Plow  
 25010910 Snow Deflector Kit For 9 1/2' V-Plow

DWG. NO. 3684A

REF. NO.	PART NUMBER	DESCRIPTION	QTY.	REF. NO.	PART NUMBER	DESCRIPTION	QTY.
1	25010695	Snow Deflector, 8 1/2' V-Plow	2	3	030-16042	Carriage Bolt 5/16-18 x 1" Gr. 5, 8 1/2' V-Plow	10
	25010912	Snow Deflector, 9 1/2' V-Plow	2			Carriage Bolt 5/16-18 x 1" Gr. 5, 9 1/2' V-Plow	12
2	25010690	Snow Deflector Strap, 8 1/2' V-Plow	2	4	951-005-036	Lock Nut 5/16-18 Mac Lock, 8 1/2' V-Plow	10
	25010911	Snow Deflector Strap, 9 1/2' V-Plow	2			Lock Nut 5/16-18 Mac Lock, 9 1/2' V-Plow	12

SEC 4

POLY SNOW DEFLECTOR KITS



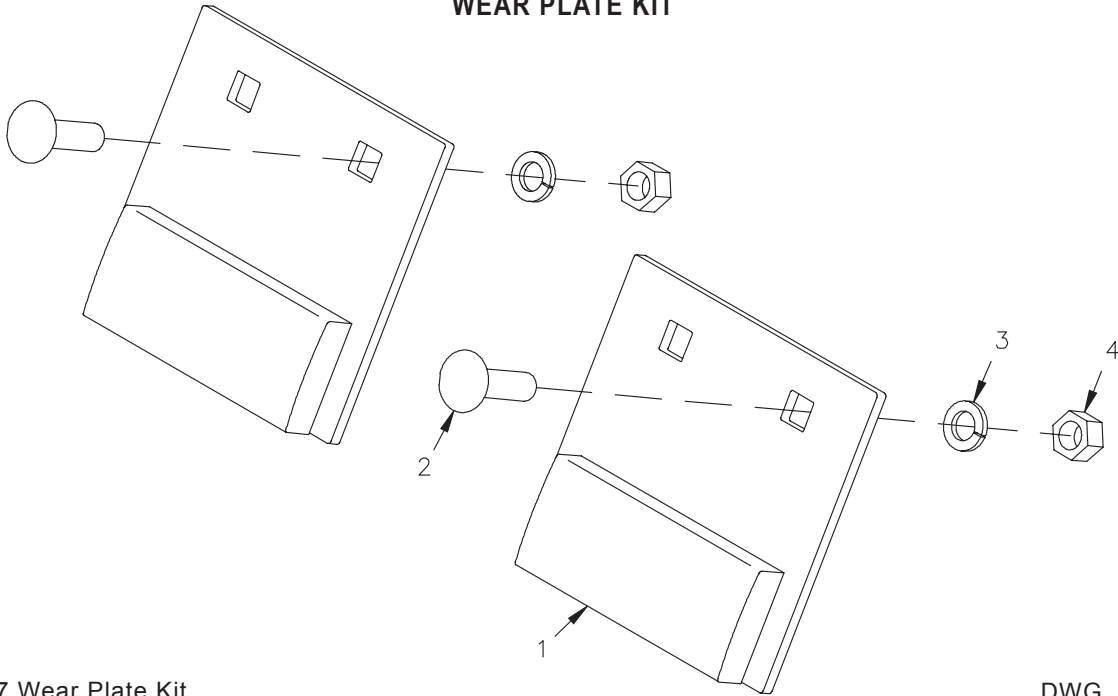
25011791 Poly Snow Deflector Kit For 8 1/2' V-Plow  
 25011792 Poly Snow Deflector Kit For 9 1/2' V-Plow

DWG. NO. 5679

REF. NO.	PART NUMBER	DESCRIPTION	QTY.	REF. NO.	PART NUMBER	DESCRIPTION	QTY.
1	25011794	8' Snow Deflector Extrusion (Cut Into Two Lengths)	1	2	25011796	Center Deflector	1
	25011982	4 1/2' Snow Deflector Extrusion	2	3	25011793	Bolt Box, Snow Deflector	1

STEEL V-PLOW 1851-1951

WEAR PLATE KIT



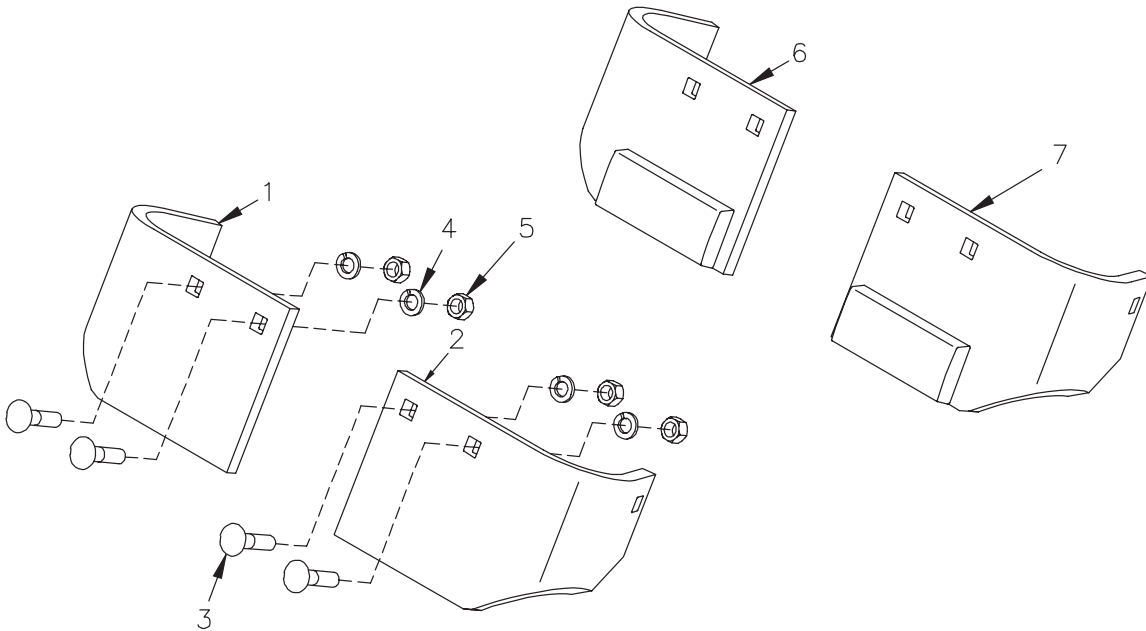
SEC 4

25012587 Wear Plate Kit

DWG. NO. 6331

REF. NO.	PART NUMBER	DESCRIPTION	QTY.	REF. NO.	PART NUMBER	DESCRIPTION	QTY.
1	25012588	Wear Plate Weldment	2	3	952-001-004	Lock Washer 1/2 Inch	4
2	950-003-058	Carriage Bolt 1/2-13 x 1 3/4 Gr. 5	4	4	951-001-007	Hex Nut 1/2-13	4

CURB GUARD KITS



25011695 Curb Guard Kit - Standard

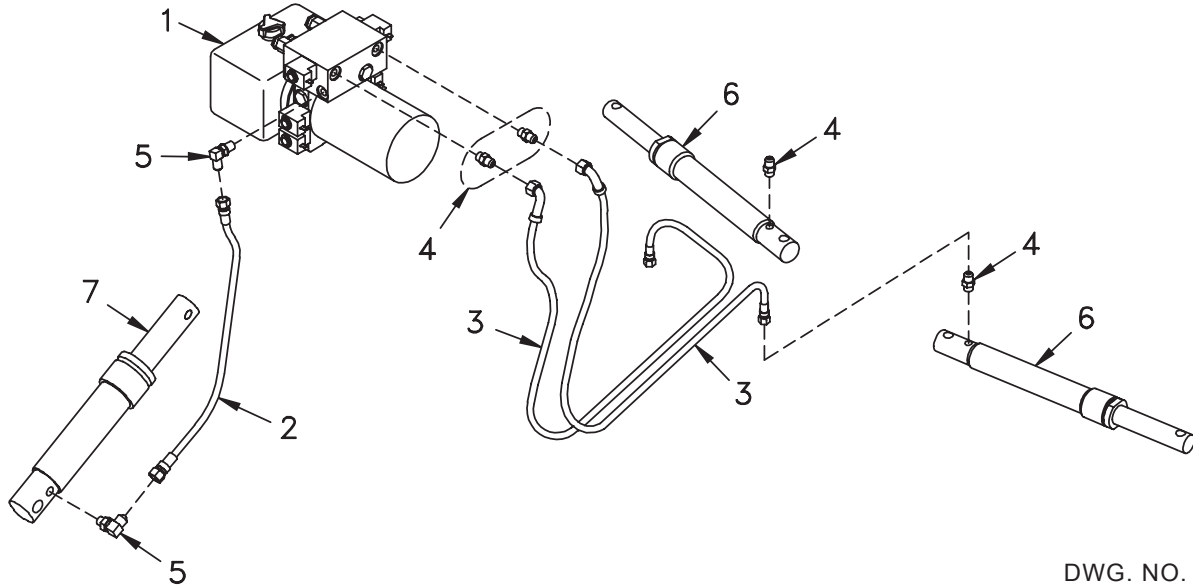
25012726 Curb Guard Kit With Wear Bars

DWG. NO. 5486

REF. NO.	PART NUMBER	DESCRIPTION	QTY.	REF. NO.	PART NUMBER	DESCRIPTION	QTY.
1	25011712	RH Curb Guard - Standard	1	5	951-001-007	Hex Nut 1/2-13	4
2	25011713	LH Curb Guard - Standard	1	6	25012722	RH Curb Guard With Wear Bar	1
3	950-003-025	Carriage Bolt 1/2-13 x 2 Gr. 5	4	7	25012723	LH Curb Guard With Wear Bar	1
4	952-001-004	Lock Washer 1/2 Inch	4				



HYDRAULIC OVERVIEW

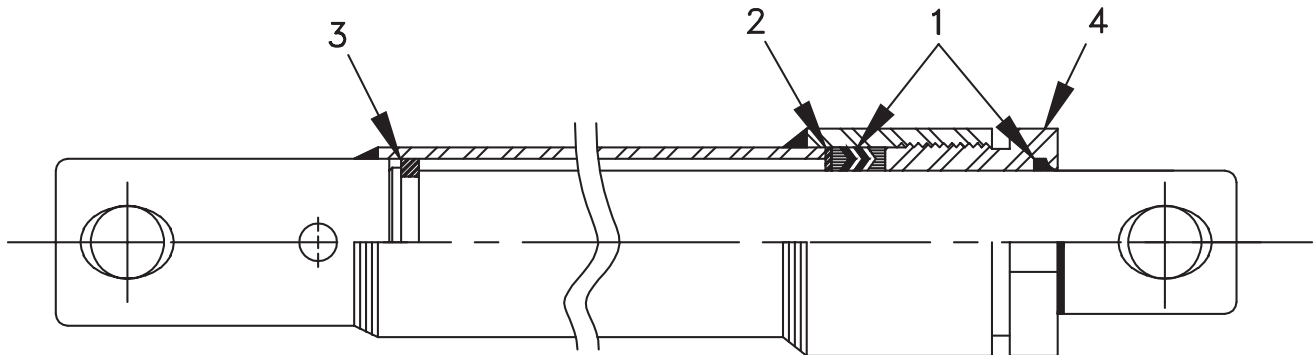


DWG. NO. 3705A

REF. NO.	PART NUMBER	DESCRIPTION	QTY.	REF. NO.	PART NUMBER	DESCRIPTION	QTY.
1	25011658	Power Unit Double Spade Coils (See Sec. 4, Pg. 10-11)	1	6	25010523	1 1/2 x 10 Cylinder - 8 1/2' V-Plow (See Below)	2
2	957-010-005	Hydraulic Hose Assembly 1/4 x 32	1		25011020	1 3/4 x 10 Cylinder - 9 1/2' V-Plow (See Below)	2
3	957-021-000	Hydraulic Hose Assembly 1/4 x 66	2	7	25010702	1 3/4 x 8 Cylinder - 8 1/2' V-Plow (See Below)	1
4	206-01024	Straight Adapter 9/16 ORB x 9/16 JIC	4		25011019	2 x 8 Cylinder - 9 1/2' V-Plow (See Below)	1
5	956-005-022	90° Adapter 9/16 ORB x 9/16 JIC	2				

SEC 4

HYDRAULIC CYLINDERS

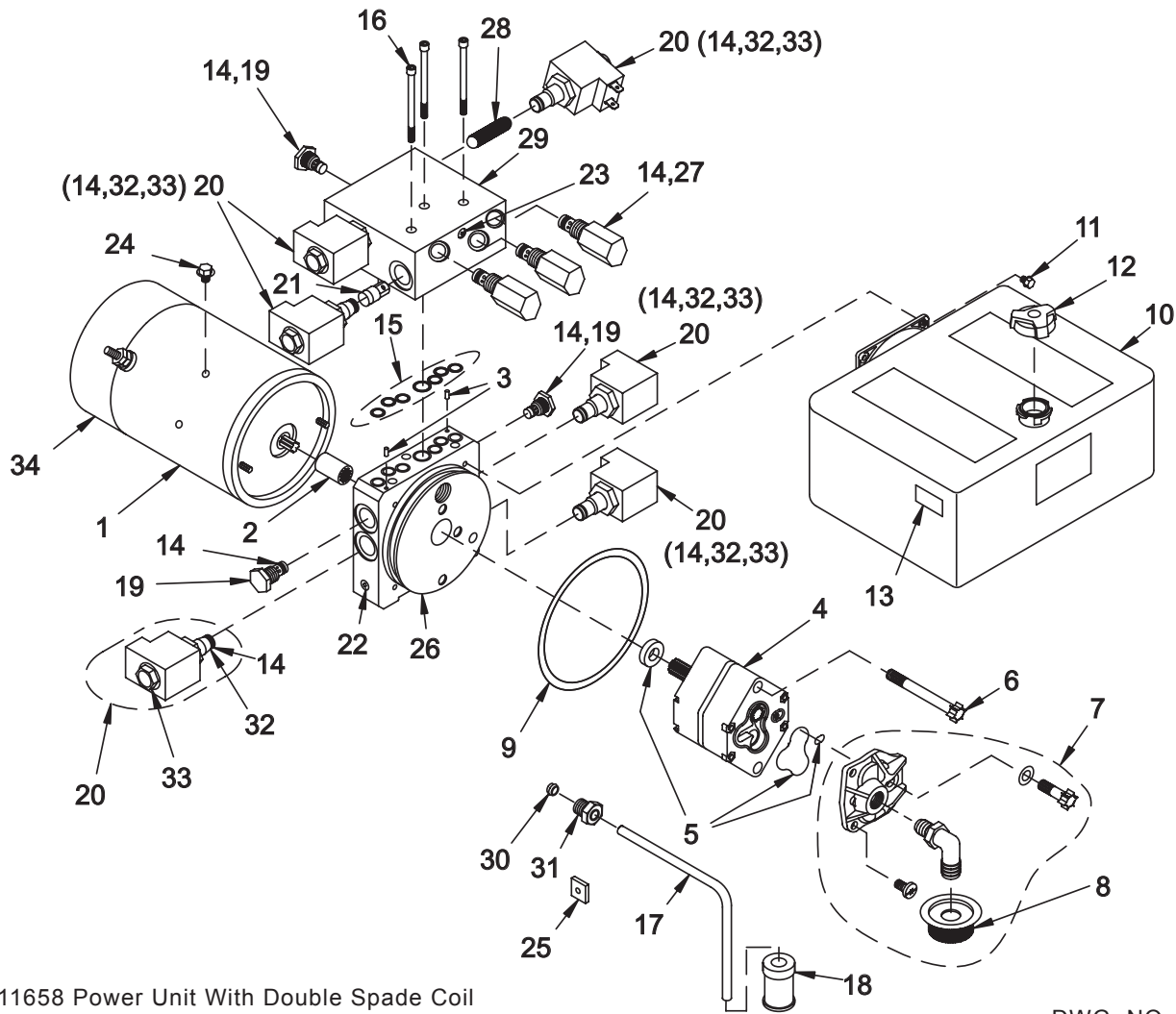


- 25010523 1 1/2 x 10 Cylinder
- 25010702 1 3/4 x 8 Cylinder
- 25011020 1 3/4 x 10 Cylinder
- 25011019 2 x 8 Cylinder

DWG. NO. 3706

REF. NO.	PART NUMBER	DESCRIPTION	QTY.	REF. NO.	PART NUMBER	DESCRIPTION	QTY.
1	25010464	Seal Kit - 1 1/2" Rod	1	3	25010017	Guide Ring - 1 1/2" Rod	1
	25010711	Seal Kit - 1 3/4" Rod	1		25010707	Guide Ring - 1 3/4" Rod	1
	25011022	Seal Kit - 2" Rod	1		25011024	Guide Ring - 2" Rod	1
2	25010016	Seat Ring - 1 1/2" Rod	1	4	25010018	Packing Nut - 1 1/2" Rod	1
	25010706	Seat Ring - 1 3/4" Rod	1		25010708	Packing Nut - 1 3/4" Rod	1
	25011023	Seat Ring - 2" Rod	1		25011025	Packing Nut - 2" Rod	1

POWER UNIT  
 MODEL DB-1474, APRIL 2001 & NEWER  
 (CARTRIDGE RELIEF VALVES, ITEM # 27)



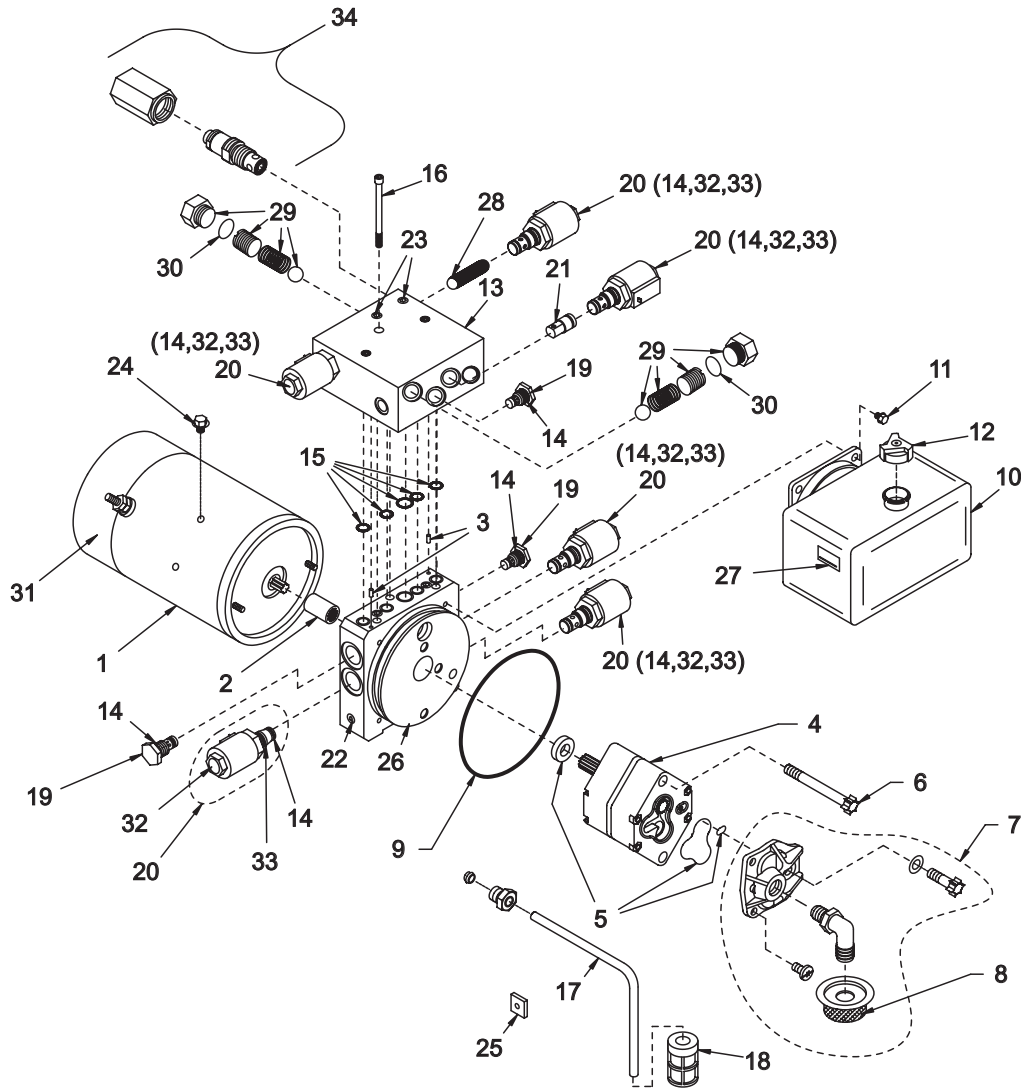
25011658 Power Unit With Double Spade Coil  
 25011062 Power Unit With Single Spade Coil

DWG. NO. 4213

REF. NO.	PART NUMBER	DESCRIPTION	QTY.	REF. NO.	PART NUMBER	DESCRIPTION	QTY.
1	25010230	DC Motor 12 V	1	20	25011657	Release Valve Kit, Double Spade Coil	6
2	25010214	Coupling	1	25011919	Release Valve Kit, Double Spade Coil W/Ground Wire	6	
3	25010235	Pin 1/8 x 1/4	3	21	25010542	Flow Control Valve	1
4	25010734	Pump Assembly	1	22	25010243	Plumbing Plug	10
5	25010334	Pump O-Ring Kit	1	23	25010761	Plug 1/8 NPT	6
6	950-011-049	Torx Head Bolt 5/16-24 x 3 Gr. 8	2	24	950-004-101	Machine Screw 1/4-20 x 3/8 Hex Washer Head	1
7	25010332	Inlet Plumbing Kit	1	950-004-072	Machine Screw 1/4-20 x 1/4 Hex Washer Head	1	
8	25010221	Filter	1	25	25010220	Plumbing Magnet	1
9	25010236	O-Ring	1	26	25010733	Finished End Head	1
10	25010738	Reservoir	1	27	25010985	Relief Valve	3
11	950-004-071	Machine Screw # 12-24 x 1/2 Hex Washer Head	4	28	25010763	Spring & Ball Assembly	1
12	25010217	Breather	1	29	25011064	Valve Block	1
13	25010436	Decal Tank Fill Line	1	30	25010930	Compression Tube Sleeve	1
14	25010992	O-Ring Kit (Release & Check)	12	31	25010929	Compression Tube Nut	1
15	25010762	Manifold O-Ring Kit	1	32	25011066	Cartridge Release Valve	6
16	950-004-095	Socket Head Cap Screw 1/4-20 x 2 1/2	3	33	25011667	Solenoid Coil, Double Spade	6
17	25010744	Return Tube	1	25011917	Solenoid Coil, Double Spade W/Ground Wire	6	
18	25010745	Return Tube Filter	1	34	25010337	Motor Brush Kit	1
19	25010746	Check Valve	3				

SEC 4

POWER UNIT  
 MODEL DB-1363, BEFORE APRIL 2001  
 (BALL AND SPRING RELIEF VALVES, ITEM # 29)



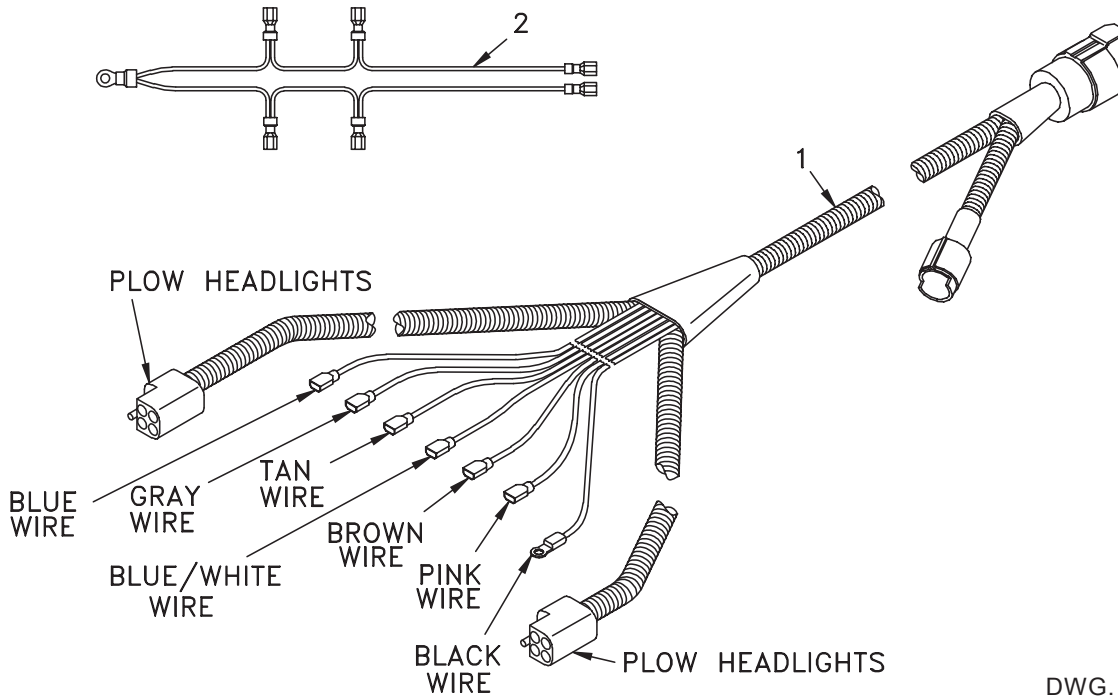
DWG. NO. 3708

REF. NO.	PART NUMBER	DESCRIPTION	QTY.	REF. NO.	PART NUMBER	DESCRIPTION	QTY.
1	25010230	DC Motor 12 V	1	18	25010745	Return Tube Filter	1
2	25010214	Coupling	1	19	25010746	Check Valve	3
3	25010235	Pin 1/8 x 1/4	3	20	25011919	Release Valve Kit, Double Spade Coil W/Ground Wire	6
4	25010734	Pump Assembly	1	21	25010542	Flow Control Valve	1
5	25010334	Pump O-Ring Kit	1	22	25010243	Plumbing Plug	6
6	950-011-049	Torx Head Bolt 5/16-24 x 3 Gr. 8	2	23	25010761	Plug 1/8 NPT	5
7	25010332	Inlet Plumbing Kit	1	24	950-004-072	Machine Screw 1/4-20 x 1/4 Hex Washer Head	1
8	25010221	Filter	1	25	25010220	Plumbing Magnet	1
9	25010236	O-Ring	1	26	25010733	Finished End Head	1
10	25010738	Reservoir	1	27	25010436	Decal Tank Fill Line	1
11	950-004-071	Machine Screw #12-24 x 1/2 Hex Washer Head	4	28	25010763	Spring & Ball Assembly	1
12	25010217	Breather	1	29	25010774	Relief Valve Kit	2
13	25010740	Valve Block	1	30	25010518	Relief Valve O-Ring	2
14	25010992	O-Ring Kit (Release & Check)	9	31	25010337	Motor Brush Kit	1
15	25010762	Manifold O-Ring Kit	1	32	25011917	Solenoid Coil, Double Spade W/Ground Wire	6
16	950-008-025	Socket Head Set Screw 1/4-20 x 2 1/2	3	33	25011066	Cartridge Release Valve	6
17	25010744	Return Tube	1	34	25011061	Relief Valve Kit	1

SEC 4

STEEL V-PLOW 1851-1951

PLOW WIRING HARNESS

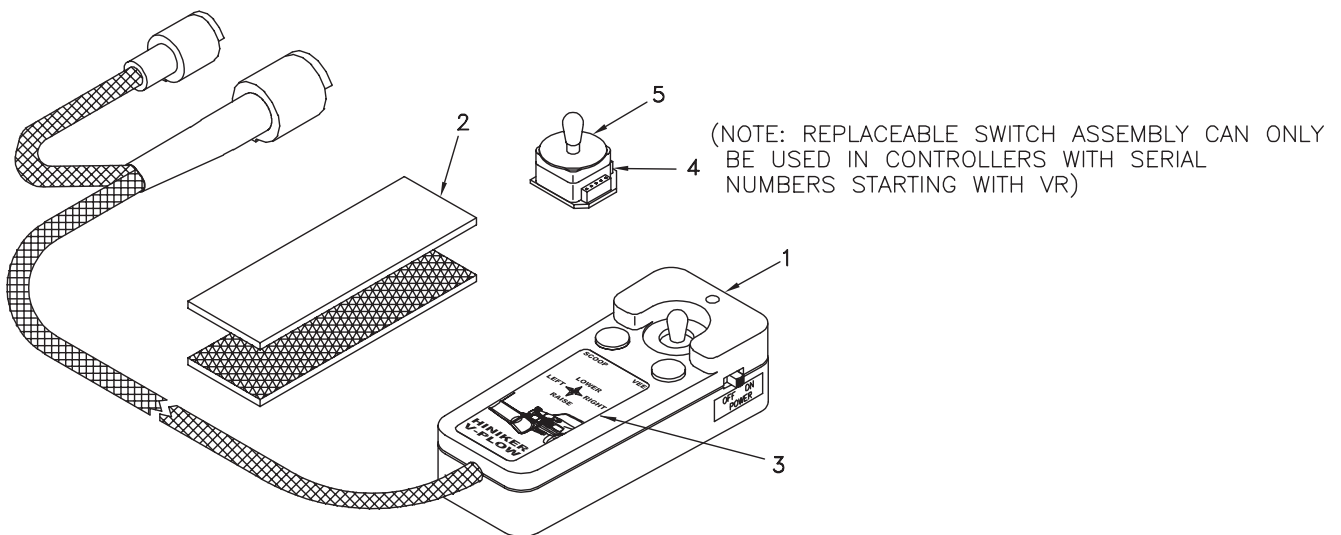


DWG. NO. 5228

SEC 4

REF. NO.	PART NUMBER	DESCRIPTION	QTY.	REF. NO.	PART NUMBER	DESCRIPTION	QTY.
1	38813035	6 Function External Cable Assembly	1	2	38813070	Ground Harness With 5/16" Ring	1

JOYSTICK CONTROLLER

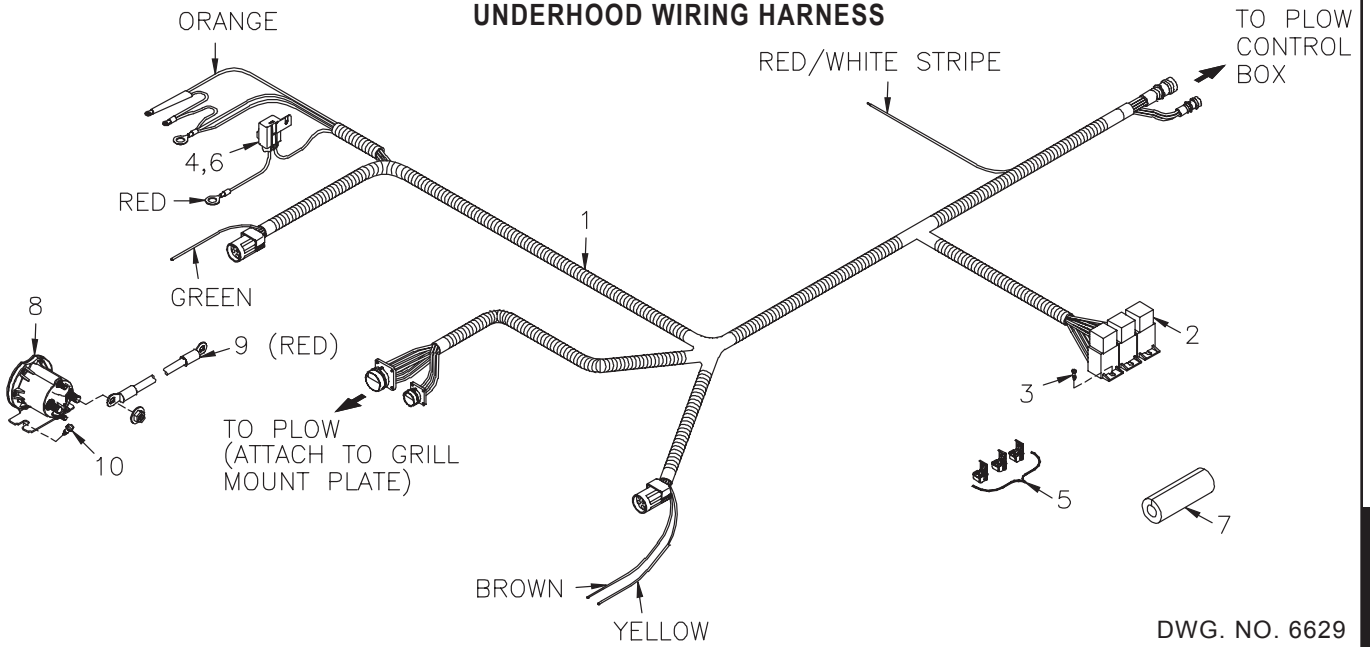


DWG. NO. 5926

REF. NO.	PART NUMBER	DESCRIPTION	QTY.	REF. NO.	PART NUMBER	DESCRIPTION	QTY.
1	36014021	Joystick W/Replaceable Switch, V-Plow	1	4	36014019	Replaceable Switch Assembly	1
2	39108005	Hook & Loop Assembly	1	5	36716033	Gasket	1
3	39302142	Decal, V-Plow Joystick, 2 Sided	1				

STEEL V-PLOW 1851-1951

UNDERHOOD WIRING HARNESS

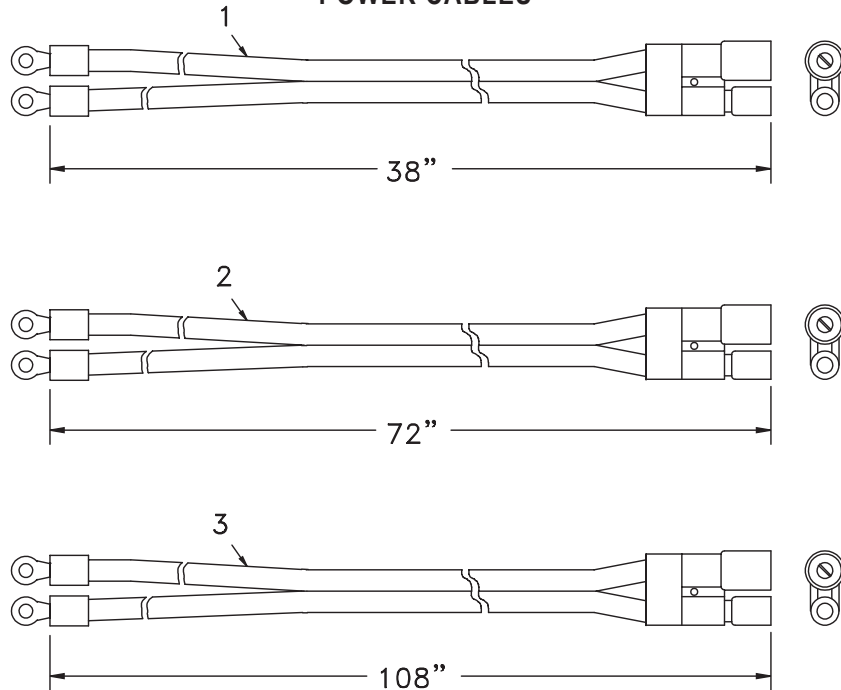


DWG. NO. 6629

REF. NO.	PART NUMBER	DESCRIPTION	QTY.	REF. NO.	PART NUMBER	DESCRIPTION	QTY.
1	38813033	Harness, 6 Function Underhood (Includes Relays And Fuses)	1	6	38400012	Cover, Fuse Holder	1
2	38350010	Head Light/Accessory Relay	3	7	39107001	Foam Grommet 4" Long	1
3	031-30078	Self Tap Screw #8-18 x 1/2 Slotted Hex Head	3	8	38350015	Starter Solenoid, Sealed	1
4	39207031	10 Amp Fuse	1	9	950-005-004	Self Tap Screw 1/4-20 x 1/2 Hex Washer Head	2
5	38610104	Sealed Quick Connect	3	10	38813012	Solenoid Cable, Red	1

SEC 4

POWER CABLES

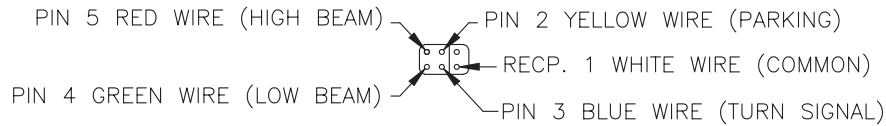
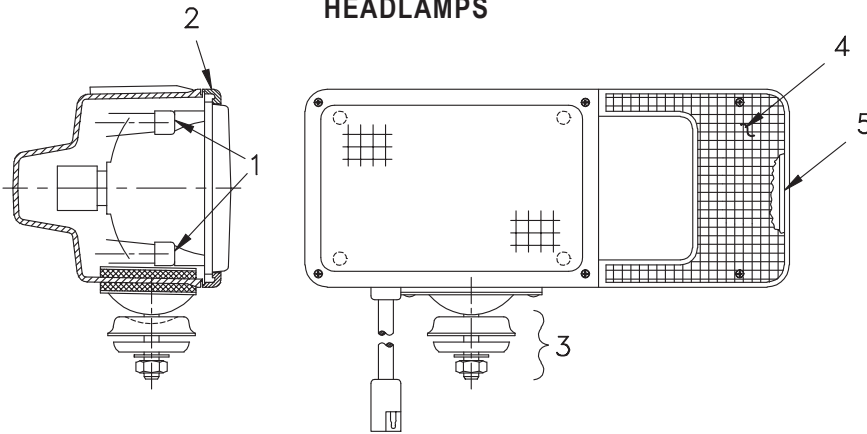


DWG. NO. 5342

REF. NO.	PART NUMBER	DESCRIPTION	QTY.	REF. NO.	PART NUMBER	DESCRIPTION	QTY.
1	38812008	Battery Power Cable - Snow Plow	1	3	38813066	Battery Power Cable - Truck 9 Ft.	1
2	38813007	Battery Power Cable - Truck 6 Ft.	1				

# STEEL V-PLOW 1851-1951

## HEADLAMPS

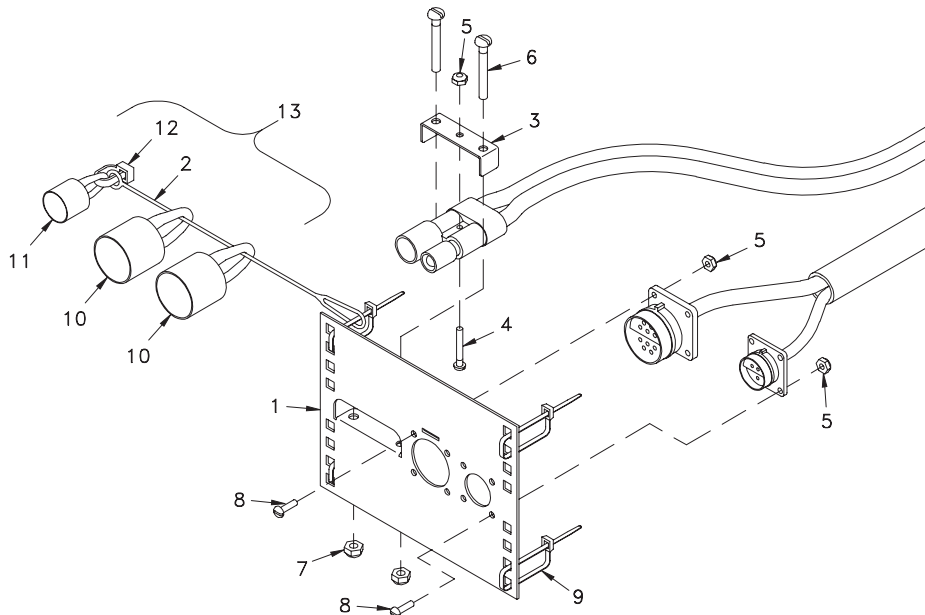


DWG. NO. 3893

SEC 4

REF. NO.	PART NUMBER	DESCRIPTION	QTY.	REF. NO.	PART NUMBER	DESCRIPTION	QTY.
	25010918	LH Light Assy (5 Pin Connector)		5	25010731	Head Lamps Lens Gasket	1
	25010919	RH Light Assy (5 Pin Connector)			N/A	Sealed Beam - HP6545 12VDC 4.00" x 6.50" (100 mm x 165 mm)	1
1	25010727	Head Lamp Bumper	4			Rectangular Hi/Lo (65W/45W)	
2	25010728	Head Lamp Rim	1			Turn Signal/Park Bulb One #1157 Heavy Duty	1
3	25010729	Head Lamp Swivel Kit	1		N/A	Double Contact 32/3 C.P.	
4	25010730	Head Lamp Lens	1				

## GRILL MOUNT PLATE



DWG. NO. 6332

REF. NO.	PART NUMBER	DESCRIPTION	QTY.	REF. NO.	PART NUMBER	DESCRIPTION	QTY.
	25010783	Complete Mount Plate Kit Items 1-13	1	7	392-010-010	Lock Nut #10-24 Nylon Insert	2
1	36507004	Plug Mount Plate	1	8	950-004-033	Machine Screw #6-32 x 1/2 Slotted Pan Head	8
2	36716025	Nylon Lanyard 8"	1	9	367-001-011	Plastic Tie, 14"	4
3	25011037	Clamp	1	10	36716002	Large Dust Cap	2
4	700-10904	Machine Screw #6-32 x 1" Slotted Pan Head	1	11	36716034	Small Dust Cap	1
5	951-003-014	Lock Nut #6-32 Nylon Insert	9	12	367-001-014	Cable Tie, 8 In.	1
6	950-004-076	Machine Screw #10-24 x 1 1/2 Slotted Pan Head	2	13	36014018	Dust Cap Assembly	1