

# SECTION 10

# 10 FT POLY TRIP EDGE

# SNOW PLOW

**FOR SERIES 10321, 10322**

## **PLOW COMPONENTS**

- PAGE 2 MOLDBOARD ASSEMBLY**
- PAGE 3 FRAME ASSEMBLY**
- PAGE 4 LIFT FRAME ASSEMBLY**
- PAGE 5 POWER UNIT COVER ASSEMBLY**  
**CURB GUARD KIT**

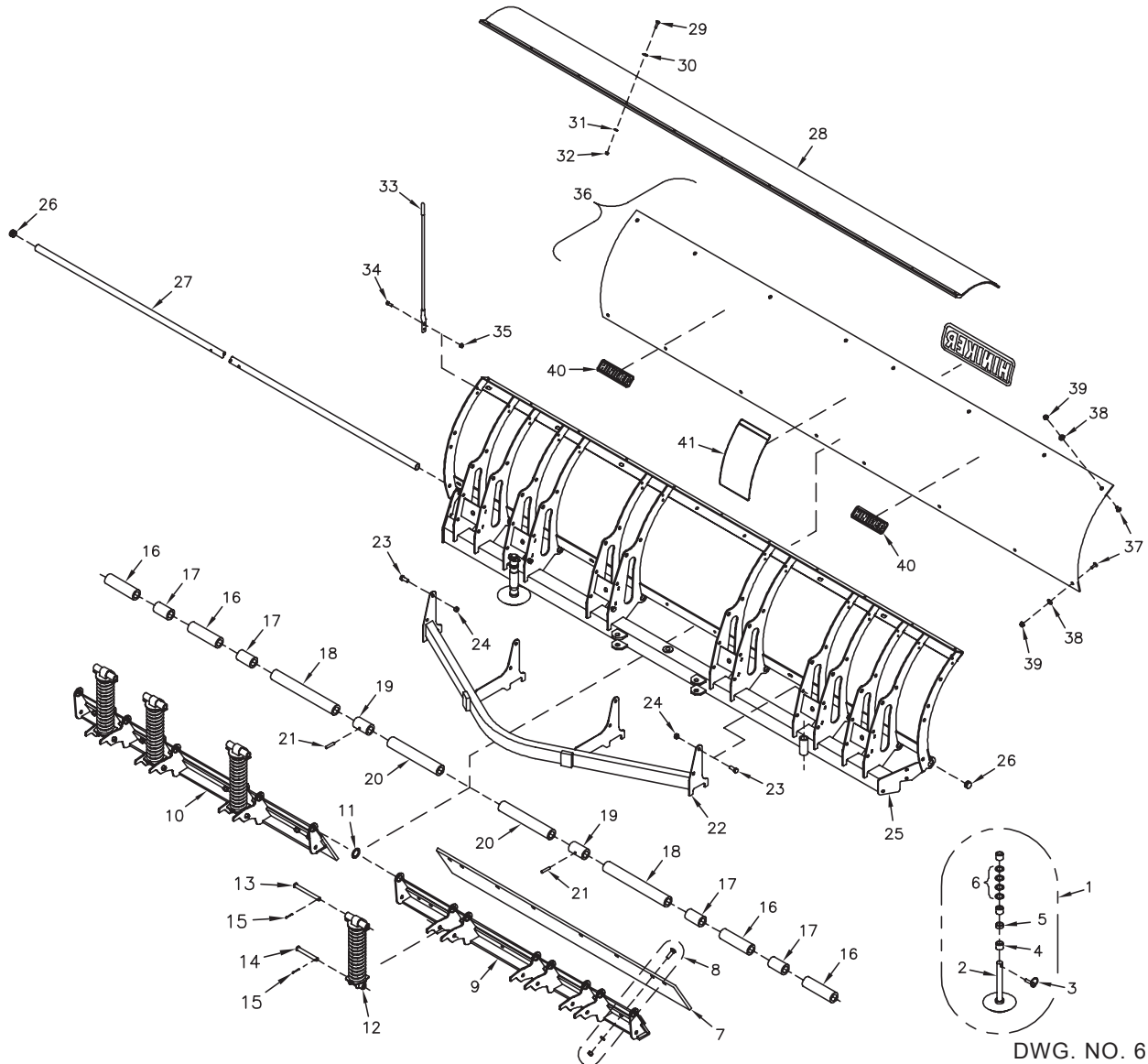
## **HYDRAULIC COMPONENTS**

- PAGE 6 HYDRAULIC OVERVIEW - MODEL 10321**  
**HYDRAULIC OVERVIEW - MODEL 10322**
- PAGE 7 CROSSOVER RELIEF VALVE - MODEL 10322**  
**HYDRAULIC CYLINDERS**
- PAGE 8 POWER UNIT - SPX MODEL DB-7929-3**
- PAGE 9 POWER UNIT - SPX MODEL DB-7017-1**

## **ELECTRICAL COMPONENTS**

- PAGE 10 PLOW WIRING HARNESS - MODEL 10321**  
**PLOW WIRING HARNESS - MODEL 10322**
- PAGE 11 UNDERHOOD WIRING HARNESS - MODEL 10321**  
**UNDERHOOD WIRING HARNESS - MODEL 10322**
- PAGE 12 POWER CABLES - MODEL 10321**  
**HEADLAMPS**
- PAGE 13 JOY STICK CONTROLLER - MODEL 10321**  
**HEADLIGHT SWITCH ASSEMBLY - MODEL 10322**
- PAGE 14 GRILL MOUNT PLATE**

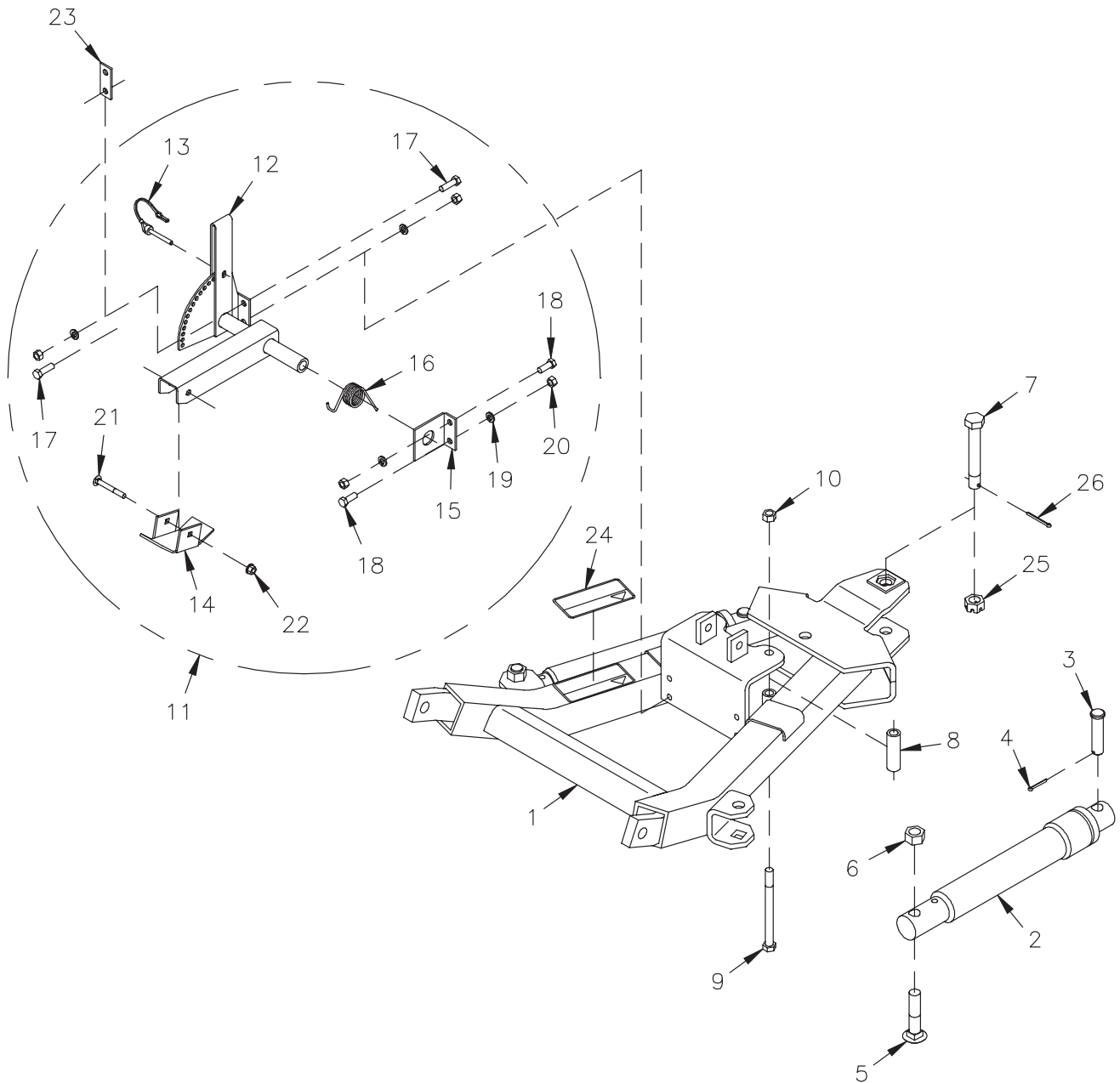
MOLDBOARD ASSEMBLY



DWG. NO. 6133

| REF. NO. | PART NUMBER | DESCRIPTION                   | QTY. | REF. NO. | PART NUMBER | DESCRIPTION                                 | QTY. |
|----------|-------------|-------------------------------|------|----------|-------------|---|------|
| 1        | 25011487    | Cast Iron Skid Assembly       | 2    | 22       | 25011613    | Quadrant Weldment                           | 1    |
| 2        | 25011478    | Cast Iron Skid Shoe           | 2    | 23       | 950-001-231 | Hex Head Cap Screw 1/2-13 x 1 Gr. 5         | 8    |
| 3        | 25010319    | Klik Pin                      | 2    | 24       | 10304       | Lock Nut 1/2-13, 2-Way                      | 8    |
| 4        | 25010049    | 1" Skid Spacer                | 6    | 25       | 25012471    | Moldboard Frame Weldment                    | 1    |
| 5        | 25010048    | 1/2" Skid Spacer              | 2    | 26       | 25012375    | End Cap                                     | 2    |
| 6        | 952-004-071 | Machinery Bushing             | 8    | 27       | 25012469    | Trip Pin, 10' Plow                          | 1    |
| 7        | 25012468    | 60" Cutting Edge For 10' Plow | 2    | 28       | 25012478    | 10' Snow Deflector Extrusion                | 1    |
| 8        | 25012485    | Cutting Edge Bolt Kit         | 1    | 29       | 950-001-200 | Hex Head Cap Screw 5/16-18 x 1 1/4 Gr. 5    | 11   |
| 9        | 25012463    | RH Trip Edge Weldment         | 1    | 30       | 952-002-002 | Flat Washer 5/16 Inch                       | 11   |
| 10       | 25012464    | LH Trip Edge Weldment         | 1    | 31       | 952-001-002 | Lock Washer 5/16 Inch                       | 11   |
| 11       | 952-004-058 | Machinery Bushing             | 1    | 32       | 951-001-004 | Hex Nut 5/16-18                             | 11   |
| 12       | 25011373    | Spring Assembly               | 6    | 33       | 25010118    | Blade Guide                                 | 2    |
| 13       | 953-002-045 | Clevis Pin 5/8 x 6            | 6    | 34       | 950-001-110 | Hex Head Cap Screw 5/16-18 x 1 Gr. 5        | 4    |
| 14       | 953-002-044 | Clevis Pin 5/8 x 4 3/8        | 6    | 35       | 951-005-036 | Lock Nut 5/16-18 Mac Lock                   | 4    |
| 15       | 035-42033   | Cotter Pin 5/32 x 1 1/4       | 12   | 36       | 25012484    | Moldboard Blank/Logo Decal Assembly         | 1    |
| 16       | 25011340    | Bushing, 7" Long              | 4    | 37       | 700-11704   | Machine Screw 3/8-16 x 1 Slotted Truss Head | 16   |
| 17       | 25011338    | Bushing, 3 3/8" Long          | 4    | 38       | 952-002-013 | Flat Washer 3/8 Inch, Stainless Steel       | 16   |
| 18       | 25011643    | Bushing, 15 7/16" Long        | 2    | 39       | 951-005-003 | Lock Nut 3/8-16 Mac Lock                    | 16   |
| 19       | 25011341    | Bushing, 3 3/8" Long, Steel   | 2    | 40       | 25011684    | Decal - Hiniker                             | 2    |
| 20       | 25011644    | Bushing, 12 13/32" Long       | 2    | 41       | 25012270    | Decal - Removal                             | 1    |
| 21       | 30009024    | Slotted Spring Pin 3/8 x 2    | 2    |          |             |   |      |

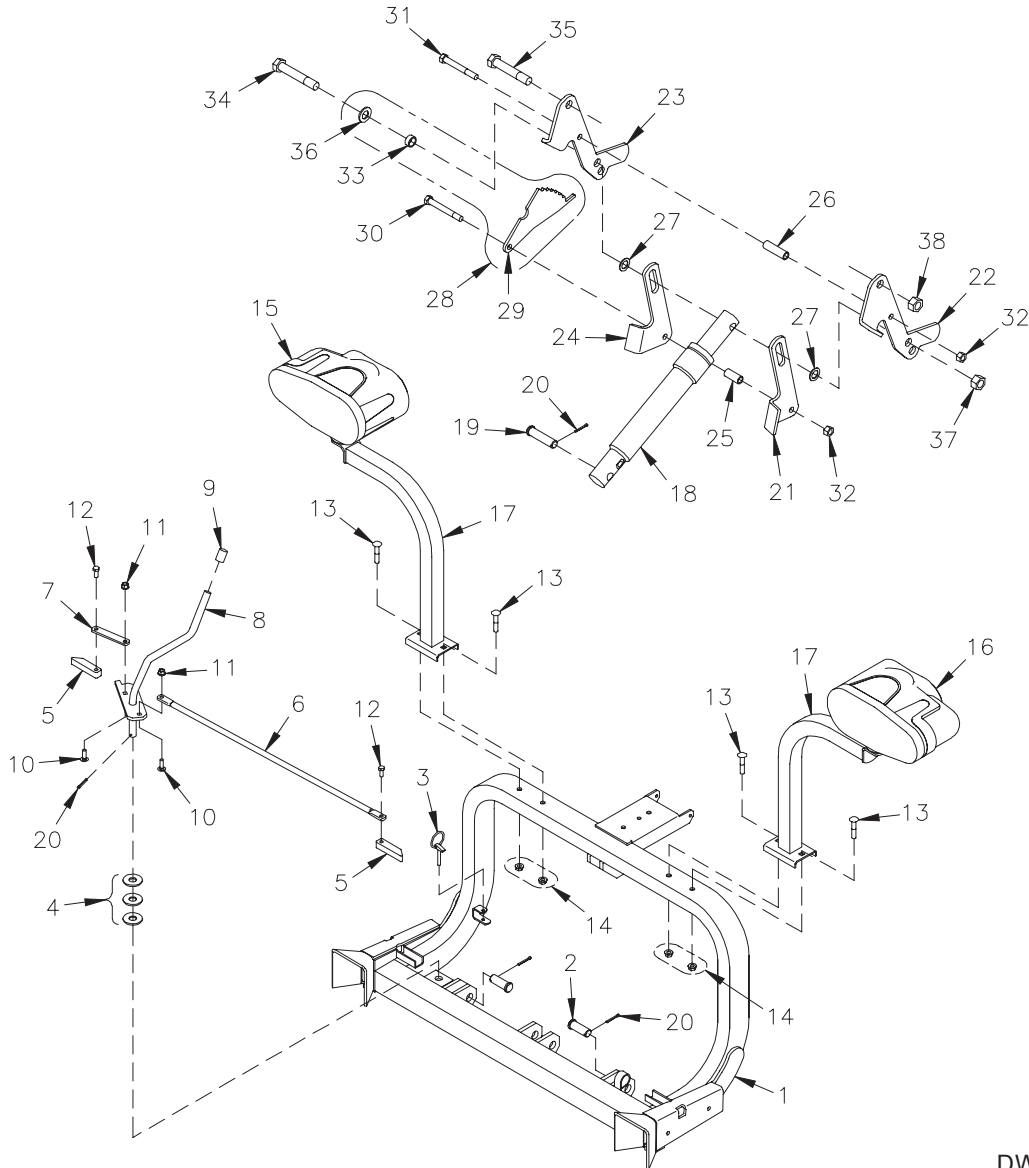
PUSH FRAME ASSEMBLY



DWG. NO.6134A

| REF. NO. | PART NUMBER | DESCRIPTION                              | QTY. | REF. NO. | PART NUMBER | DESCRIPTION                             | QTY. |
|----------|-------------|--|------|----------|-------------|---|------|
| 1        | 25012483    | Push Frame/Decal Assembly                | 1    | 14       | 25010801    | Stand Foot                              | 1    |
| 2        | 25011020    | 1 3/4 x 10 Cylinder (See Sec. 10, Pg. 7) | 2    | 15       | 25010798    | Bracket                                 | 1    |
| 3        | 953-002-032 | Clevis Pin 3/4 x 3                       | 2    | 16       | 25010795    | Helical Torsion Spring                  | 1    |
| 4        | 035-42033   | Cotter Pin 5/32 x 1 1/4                  | 2    | 17       | 950-001-106 | Hex Head Cap Screw 3/8-16 x 1 1/4 Gr. 5 | 2    |
| 5        | 030-16198   | Carriage Bolt 3/4-10 x 3 1/2 Gr. 5       | 2    | 18       | 950-001-105 | Hex Head Cap Screw 3/8-16 x 1 Gr. 5     | 2    |
| 6        | 951-005-037 | Lock Nut 3/4-10, 2-Way                   | 2    | 19       | 952-001-007 | Lock Washer 3/8 Inch                    | 4    |
| 7        | 25012614    | Hex Head Cap Screw 3/4-10 x 5 Gr. 5      | 1    | 20       | 951-001-005 | Hex Nut 3/8-16                          | 4    |
| 8        | 25011477    | Bushing 2 13/16" Long                    | 2    | 21       | 950-003-074 | Carriage Bolt 5/16-18 x 2 1/2 Gr. 5     | 1    |
| 9        | 031-06219   | Hex Head Cap Screw 1/2-13 x 6 Gr. 5      | 2    | 22       | 951-005-036 | Lock Nut 5/16-18 Mac Lock               | 1    |
| 10       | 10304       | Lock Nut 1/2-13, 2-Way                   | 2    | 23       | 25011486    | Parking Stand Spacer                    | 1    |
| 11       | 25011050    | Park Stand Kit                           | 1    | 24       | 25010697    | Caution Decal                           | 1    |
| 12       | 25010800    | Lever Weldment                           | 1    | 25       | 034-00136   | Slotted Nut 3/4-10                      | 1    |
| 13       | 25010797    | Tab Lock Pin                             | 1    | 26       | 953-001-008 | Cotter Pin 3/16 x 1 3/4                 | 1    |

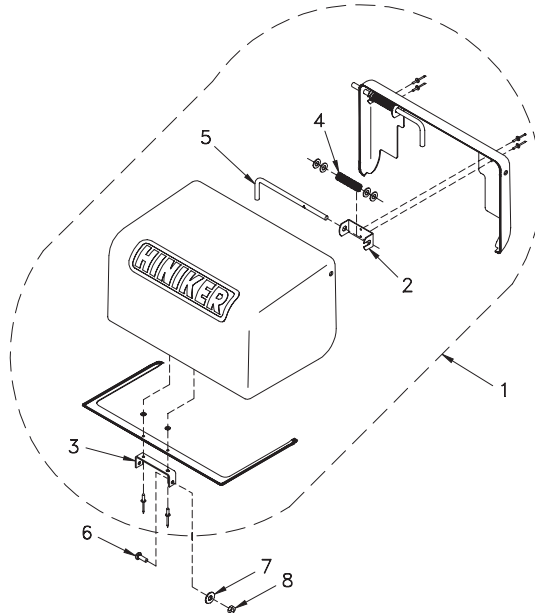
LIFT FRAME ASSEMBLY



DWG. NO. 6135

| REF. NO. | PART NUMBER | DESCRIPTION                                     | QTY. | REF. NO. | PART NUMBER | DESCRIPTION   | QTY. |
|----------|-------------|---|------|----------|-------------|---|------|
| 1        | 25012583    | Frame Weldment                                  | 1    | 20       | 035-42033   | Cotter Pin 5/32 x 1 1/4                                 | 4    |
| 2        | 953-002-031 | Clevis Pin 3/4 x 2                              | 2    | 21       | 25012396    | RH Lower Link   | 1    |
| 3        | 703-00209   | Klik Pin  | 1    | 22       | 25012394    | RH Upper Link   | 1    |
| 4        | 952-002-007 | Flat Washer 5/8 Inch                            | 3    | 23       | 25012393    | LH Upper Link   | 1    |
| 5        | 25010276    | Slider  | 2    | 24       | 25012395    | LH Lower Link   | 1    |
| 6        | 25010274    | Long Tie Rod                                    | 1    | 25       | 25010114    | Lower Link Spacer                                       | 1    |
| 7        | 25010275    | Short Tie Rod                                   | 1    | 26       | 25010211    | Upper Link Spacer                                       | 1    |
| 8        | 25010410    | Handle Weldment                                 | 1    | 27       | 952-004-003 | Machinery Bushing 25/32 x 1 1/4 x .075                  | 2    |
| 9        | 25011230    | Vinyl Cap                                       | 1    | 28       | 25011986    | Stop Plate Kit (Includes Lock Nut #37)                  | 1    |
| 10       | 030-16042   | Carriage Bolt 5/16-18 x 1 Gr. 5                 | 2    | 29       | 25011984    | Stop Plate  | 1    |
| 11       | 951-005-036 | Lock Nut 5/16-18 Mac Lock                       | 2    | 30       | 950-001-309 | Hex Head Cap Screw 1/2-13 x 4 Gr. 5, 7/8 Thd Length     | 1    |
| 12       | 950-011-042 | Hex Head Cap Screw 5/16-18 x 3/4 Nylon Dri-Lock | 2    | 31       | 950-001-124 | Hex Head Cap Screw 1/2-13 x 4 Gr. 5                     | 1    |
| 13       | 950-003-070 | Carriage Bolt 3/8-16 x 2 Gr. 5                  | 4    | 32       | 10304       | Lock Nut 1/2-13, 2-Way                                  | 2    |
| 14       | 951-005-003 | Lock Nut 3/8-16 Mac Lock                        | 4    | 33       | 25011885    | Bushing   | 1    |
| 15       | 25012793    | LH Headlight Assembly (See Sec. 10, P. 12)      | 1    | 34       | 950-001-311 | Hex Head Cap Screw 3/4-10 x 4 1/2 Gr. 5, 1 1/4 Thd Lgth | 1    |
| 16       | 25012792    | RH Headlight Assembly (See Sec. 10, P. 12)      | 1    | 35       | 950-001-310 | Hex Head Cap Screw 3/4-10 x 4 1/4 Gr. 5, 1 1/4 Thd Lgth | 1    |
| 17       | 25011334    | Light Bracket Weldment                          | 2    | 36       | 033-12013   | SAE Flat Washer 3/4 Inch                                | 1    |
| 18       | 25011402    | 1 3/4 x 9 Cylinder (See Sec. 10, P. 7)          | 1    | 37       | 951-005-037 | Lock Nut 3/4-10, 2-Way                                  | 1    |
| 19       | 953-002-032 | Clevis Pin 3/4 x 3                              | 1    | 38       | 951-003-010 | Lock Nut 3/4-10, Nylon Insert                           | 1    |

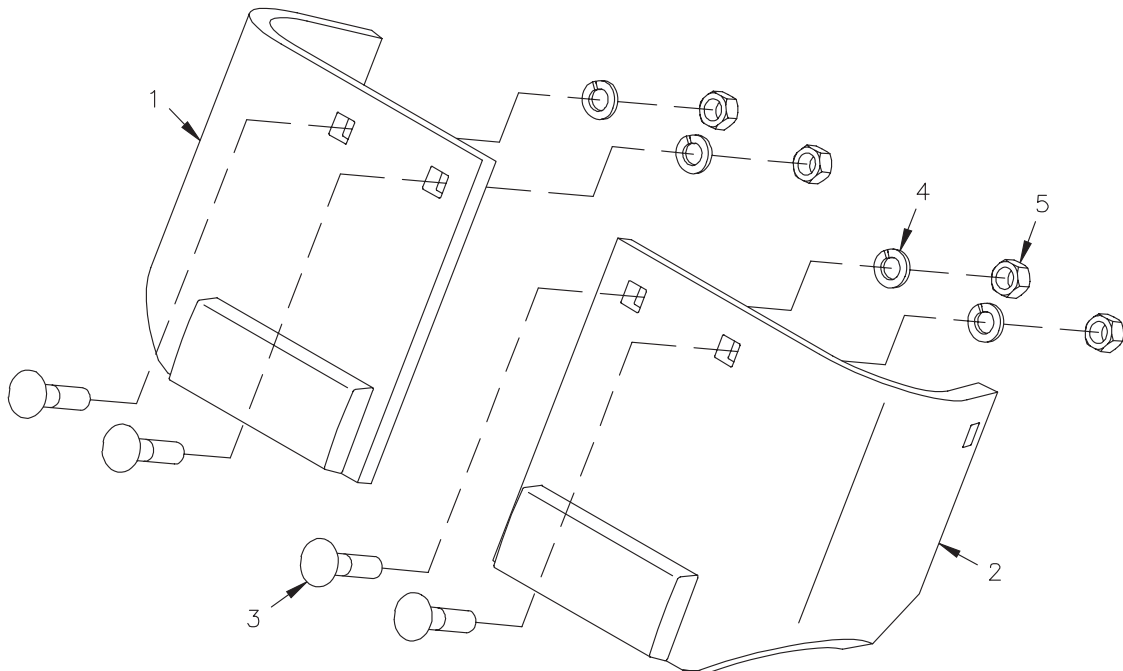
**POWER UNIT COVER ASSEMBLY**



DWG. NO. 5559

| REF. NO. | PART NUMBER | DESCRIPTION                         | QTY. | REF. NO. | PART NUMBER | DESCRIPTION                                   | QTY. |
|----------|-------------|-------------------------------------|------|----------|-------------|---|------|
| 1        | 25011070    | Cover Assembly (Includes Items 2-5) | 1    | 5        | 25011071    | Rod   | 2    |
| 2        | 25011073    | Clevis                              | 2    | 6        | 031-10657   | Machine Screw 1/4-20 x 3/4 Slotted Round Head | 2    |
| 3        | 25011072    | Clevis                              | 1    | 7        | 952-002-011 | Flat Washer 1/4                               | 2    |
| 4        | 25010717    | Compression Spring                  | 2    | 8        | 060954      | Lock Nut 1/4-20 Nylon Insert                  | 2    |

**CURB GUARD KIT**



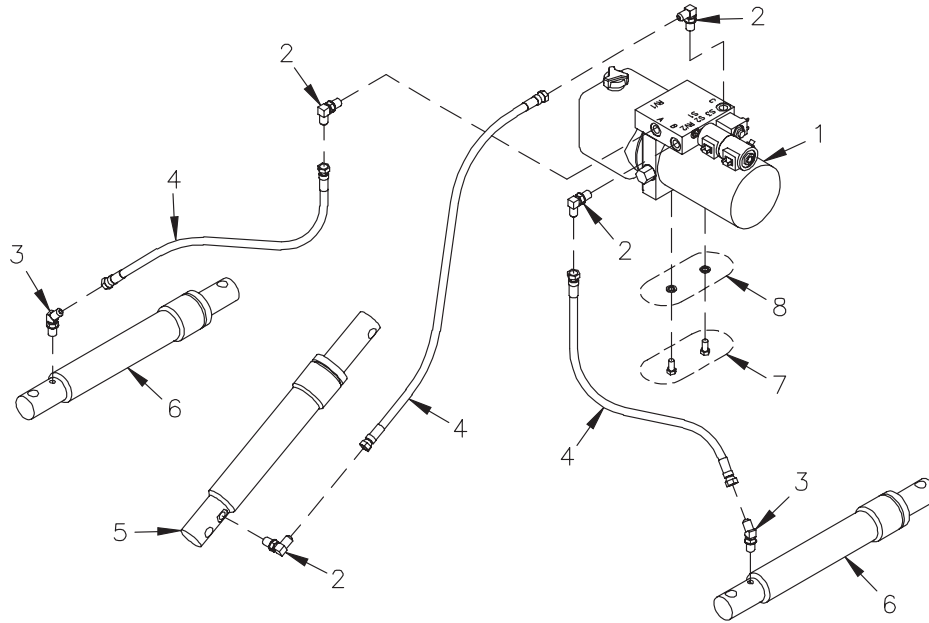
25012488 Curb Guard Kit

DWG. NO. 6136

| REF. NO. | PART NUMBER | DESCRIPTION                    | QTY. | REF. NO. | PART NUMBER | DESCRIPTION          | QTY. |
|----------|-------------|--------------------------------|------|----------|-------------|----------------------|------|
| 1        | 25012724    | RH Curb Guard                  | 1    | 4        | 952-001-004 | Lock Washer 1/2 Inch | 4    |
| 2        | 25012725    | LH Curb Guard                  | 1    | 5        | 951-001-007 | Hex Nut 1/2-13       | 4    |
| 3        | 950-003-025 | Carriage Bolt 1/2-13 x 2 Gr. 5 | 4    |          |             |                      |      |

**10 FT POLY TRIP EDGE PLOW 10321-10322**

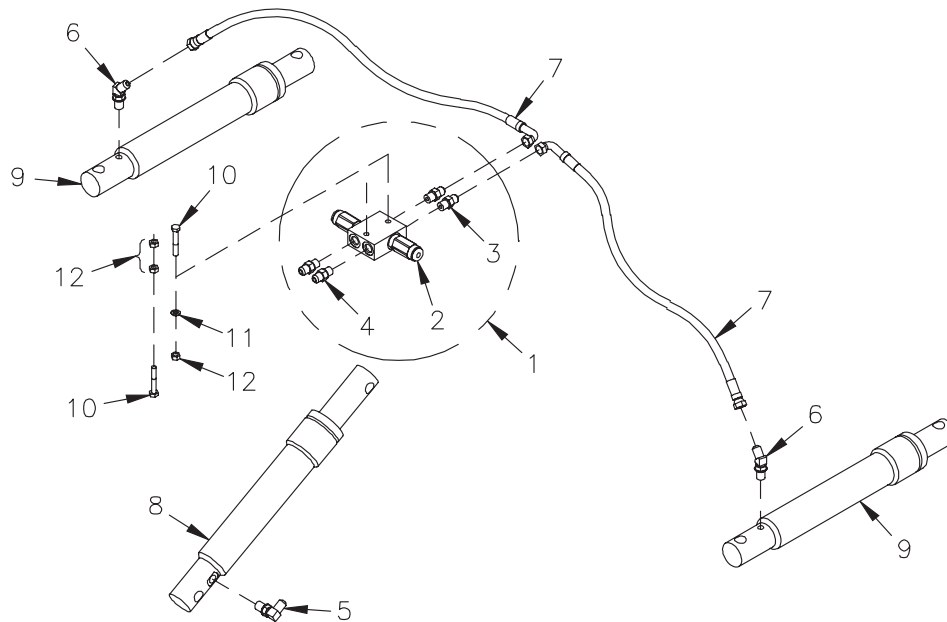
**HYDRAULIC OVERVIEW MODEL 10321**



DWG. NO. 6137

| REF. NO. | PART NUMBER | DESCRIPTION                      | QTY. | REF. NO. | PART NUMBER | DESCRIPTION                                       | QTY. |
|----------|-------------|----------------------------------|------|----------|-------------|---|------|
| 1        | 25012650    | Power Unit (See Sec. 10, P. 8)   | 1    | 5        | 25011402    | Hydraulic Cylinder 1 3/4 x 9 (See Sec. 10, P. 7)  | 1    |
| 2        | 956-005-022 | 90° Adapter 9/16 ORB x 9/16 JIC  | 4    | 6        | 25011020    | Hydraulic Cylinder 1 3/4 x 10 (See Sec. 10, P. 7) | 2    |
| 3        | 956-005-023 | 45° Adapter 9/16 ORB x 9/16 JIC  | 2    | 7        | 950-001-089 | Hex Head Cap Screw 3/8-16 x 3/4 Gr. 5             | 2    |
| 4        | 957-010-005 | Hydraulic Hose Assembly 1/4 x 32 | 3    | 8        | 952-001-007 | Lock Washer 3/8 Inch                              | 2    |

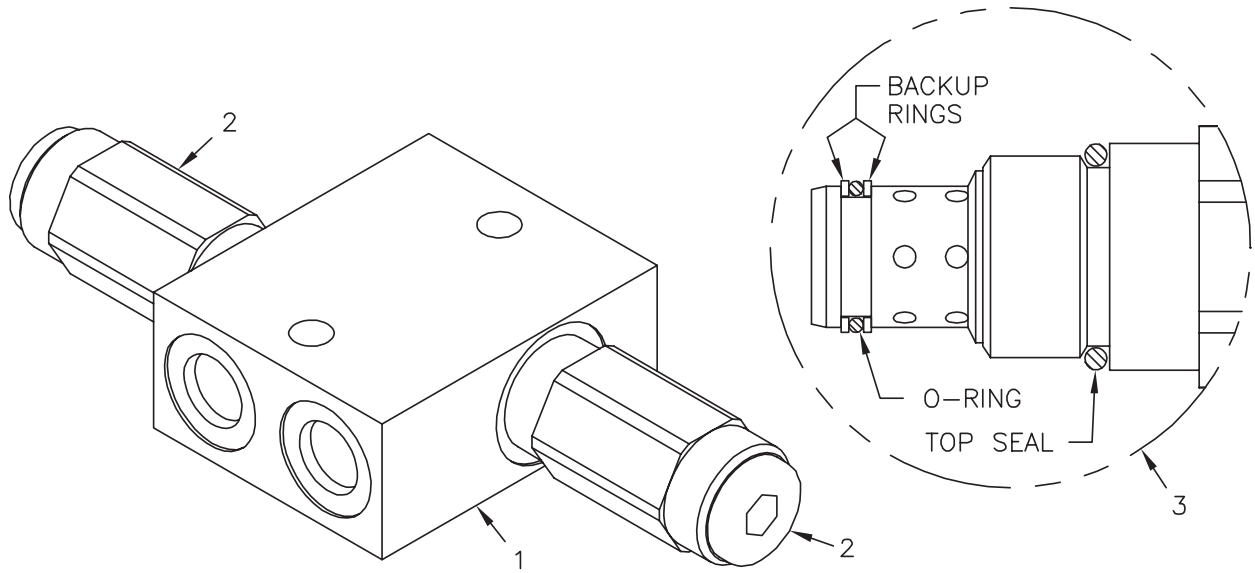
**HYDRAULIC OVERVIEW MODEL 10322**



DWG. NO. 6138

| REF. NO. | PART NUMBER | DESCRIPTION                                     | QTY. | REF. NO. | PART NUMBER | DESCRIPTION                                       | QTY. |
|----------|-------------|---|------|----------|-------------|---|------|
| 1        | 25012548    | Crossover Relief Valve Assembly                 | 1    | 7        | 957-021-002 | Hydraulic Hose Assembly 1/4 x 33" Long            | 2    |
| 2        | 25012549    | Crossover Relief Valve (See Sec. 10, P. 7)      | 1    | 8        | 25011402    | Hydraulic Cylinder 1 3/4 x 9 (See Sec. 10, P. 7)  | 1    |
| 3        | 206-01024   | Straight Adapter 9/16 ORB x 9/16 JIC            | 2    | 9        | 25011020    | Hydraulic Cylinder 1 3/4 x 10 (See Sec. 10, P. 7) | 2    |
| 4        | 956-008-038 | Restricted Straight Adapter 9/16 ORB x 9/16 JIC | 2    | 10       | 031-06059   | Hex Head Cap Screw 5/16-18 x 2 Gr. 5              | 2    |
| 5        | 956-005-025 | Restricted 90° Adapter 9/16 ORB x 9/16 JIC      | 1    | 11       | 952-001-002 | Lock Washer 5/16 Inch                             | 1    |
| 6        | 956-005-023 | 45° Adapter 9/16 ORB x 9/16 JIC                 | 2    | 12       | 951-001-004 | Hex Nut 5/16-18                                   | 3    |

**CROSSOVER RELIEF VALVE  
MODEL 10322**

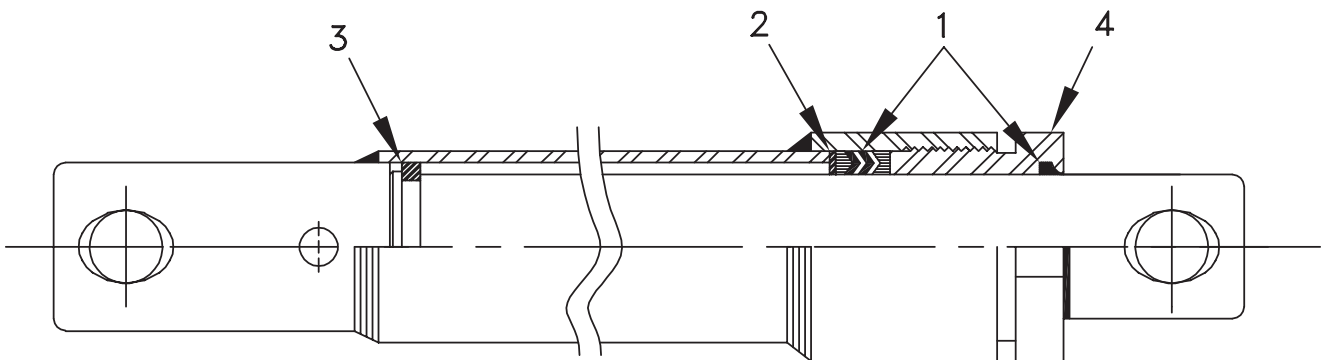


25012549 Crossover Relief Valve

DWG. NO. 6140

| REF. NO. | PART NUMBER | DESCRIPTION                       | QTY. | REF. NO. | PART NUMBER | DESCRIPTION | QTY. |
|----------|-------------|-----------------------------------|------|----------|-------------|-------------|------|
| 1        | 25012546    | Manifold Block                    | 1    | 3        | 25012544    | Seal Kit    | 2    |
| 2        | 25012550    | Cartridge Relief Valve - 1600 PSI | 2    |          |             |             |      |

**HYDRAULIC CYLINDERS**

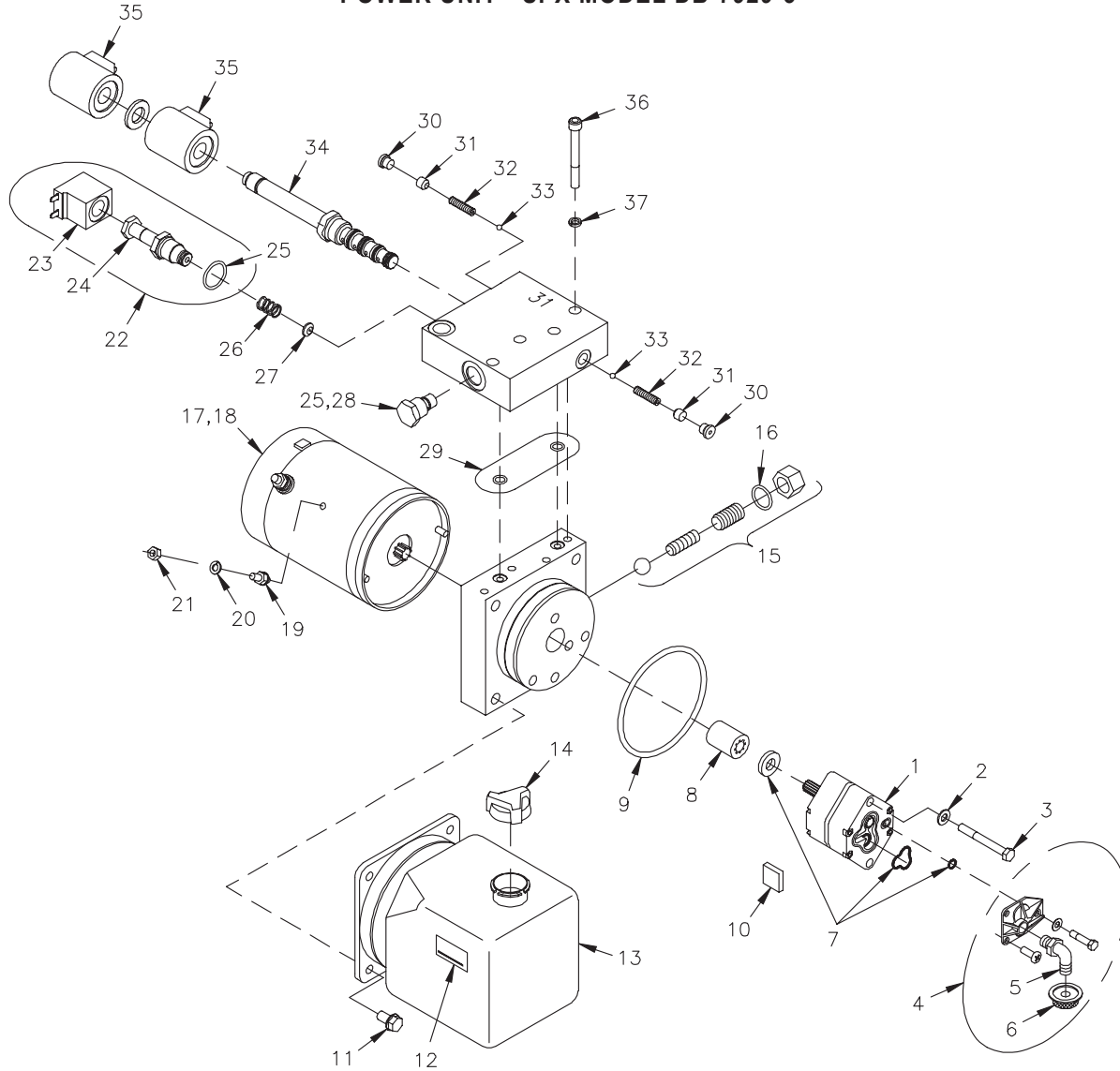


25011402 1 3/4 x 9 Cylinder  
25011020 1 3/4 x 10 Cylinder

DWG. NO. 6141

| REF. NO. | PART NUMBER | DESCRIPTION            | QTY. | REF. NO. | PART NUMBER | DESCRIPTION              | QTY. |
|----------|-------------|------------------------|------|----------|-------------|--------------------------|------|
| 1        | 25010711    | Seal Kit - 1 3/4" Rod  | 1    | 3        | 25010707    | Guide Ring - 1 3/4" Rod  | 1    |
| 2        | 25010706    | Seat Ring - 1 3/4" Rod | 1    | 4        | 25010708    | Packing Nut - 1 3/4" Rod | 1    |

**POWER UNIT - SPX MODEL DB-7929-3**



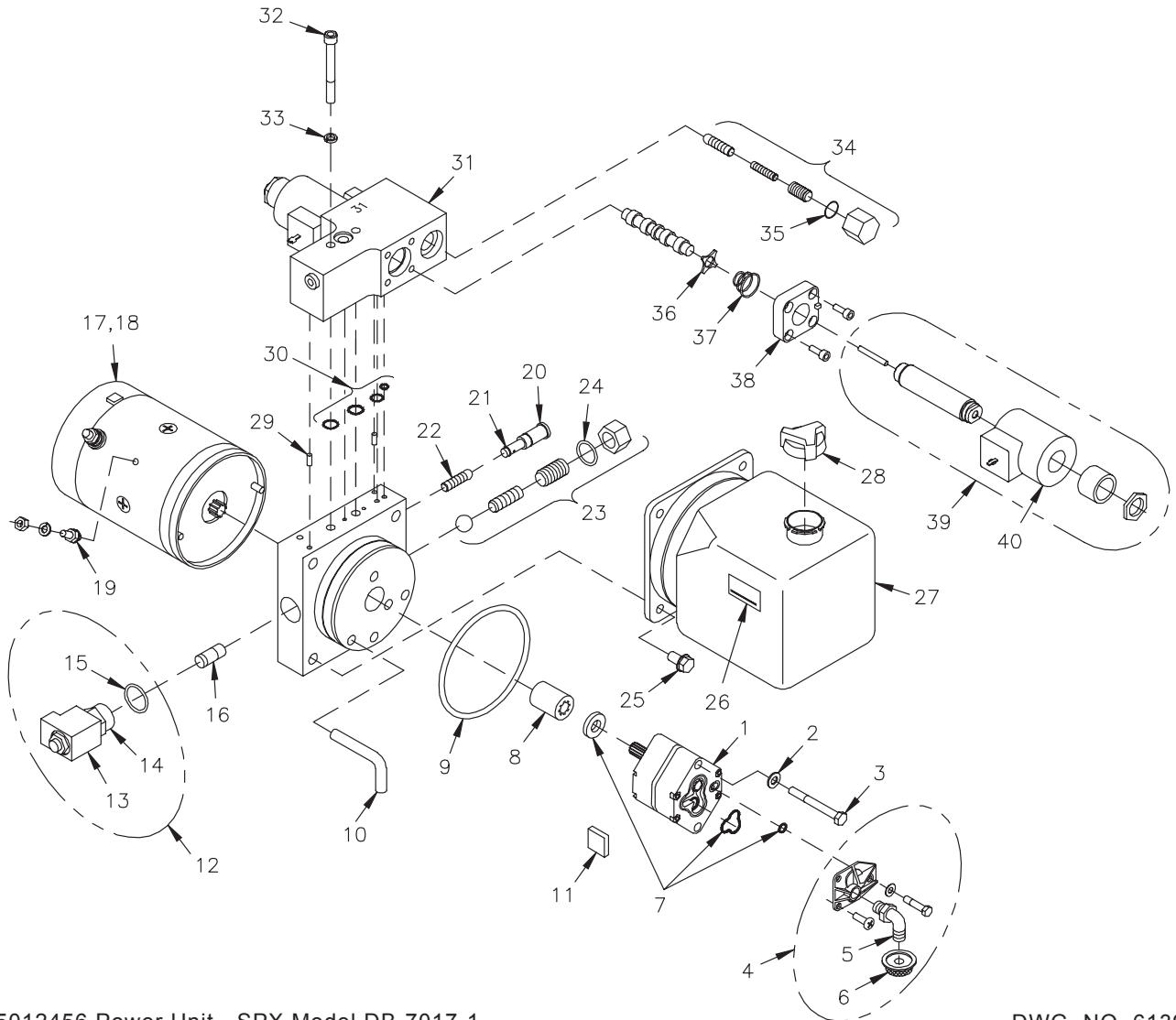
25012650 Power Unit SPX Model DB-7929-3

DWG. NO. 6528

| REF. NO. | PART NUMBER | DESCRIPTION                                  | QTY. | REF. NO. | PART NUMBER | DESCRIPTION  | QTY. |
|----------|-------------|--|------|----------|-------------|--|------|
| 1        | 25010734    | Pump Assembly                                | 1    | 20       | 952-001-001 | Lock Washer 1/4 Inch                               | 1    |
| 2        | 033-12007   | SAE Flat Washer 5/16 Inch                    | 2    | 21       | 951-001-003 | Hex Nut 1/4-20                                     | 1    |
| 3        | 950-001-327 | Hex Head Cap Screw 5/16-24 x 3 Gr. 8         | 2    | 22       | 25011654    | Release Valve Kit, Double Spade Coil               | 1    |
| 4        | 25010332    | Inlet Plumbing Kit                           | 1    | 23       | 25011667    | Solenoid Coil 10V DC                               | 1    |
| 5        | 25010244    | Plumbing Elbow                               | 1    | 24       | 25010544    | Cartridge Release Valve                            | 1    |
| 6        | 25010221    | Filter                                       | 1    | 25       | 25010992    | O-Ring Kit   | 1    |
| 7        | 25010334    | Pump O-Ring Kit                              | 1    | 26       | 25012674    | Spring   | 1    |
| 8        | 25010214    | Coupling                                     | 1    | 27       | 25012677    | Return Orifice                                     | 1    |
| 9        | 25010236    | O-Ring                                       | 1    | 28       | 25010746    | Check Valve  | 1    |
| 10       | 25010220    | Plumbing Magnet                              | 1    | 29       | 25010762    | Manifold O-Ring Kit                                | 1    |
| 11       | 950-004-071 | Machine Screw #12-24 x 1/2 - Hex Washer Head | 4    | 30       | 25012686    | ORB Plug   | 2    |
| 12       | 25010436    | Decal - Fill Line                            | 1    | 31       | 25012685    | Set Screw 3/8-24 x .38 Selflock                    | 2    |
| 13       | 25010240    | Plastic Tank                                 | 1    | 32       | 25012684    | Spring   | 2    |
| 14       | 25010217    | Plastic Breather                             | 1    | 33       | 25012683    | Ball .25 Dia. Steel                                | 2    |
| 15       | 25010330    | Adjustable Relief Valve Kit                  | 1    | 34       | 25012688    | Directional Valve                                  | 1    |
| 16       | 25010518    | Adjustable Relief Valve O-Ring               | 1    | 35       | 25012687    | Solenoid Coil 10V DC                               | 2    |
| 17       | 25010230    | Motor 12V DC                                 | 1    | 36       | 950-004-115 | Socket Head Cap Screw W/Thread Lock 1/4-20 x 1 3/4 | 4    |
| 18       | 25010337    | Motor Brush Kit                              | 1    | 37       | 952-004-080 | Lock Washer 1/4 x .363 O.D.                        | 4    |
| 19       | 25012673    | Ground Stud                                  | 1    |          |             |  |      |



POWER UNIT - SPX MODEL DB-7017-1

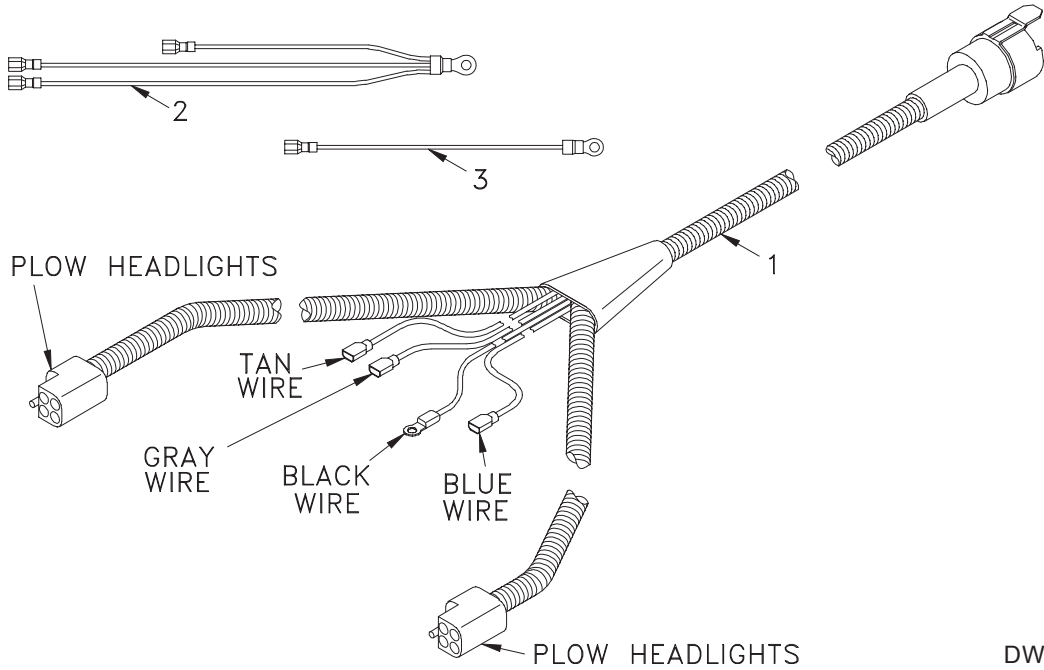


25012456 Power Unit - SPX Model DB-7017-1

DWG. NO. 6139A

| REF. NO. | PART NUMBER | DESCRIPTION                                    | QTY. | REF. NO. | PART NUMBER | DESCRIPTION  | QTY. |
|----------|-------------|--|------|----------|-------------|--|------|
| 1        | 25010734    | Pump Assembly                                  | 1    | 20       | 25010228    | Check Valve Assembly                               | 1    |
| 2        | 033-12007   | SAE Flat Washer 5/16 Inch                      | 2    | 21       | 25010477    | Check Valve O-Ring Kit                             | 1    |
| 3        | 950-001-327 | Hex Head Cap Screw 5/16-24 x 3 Gr. 8           | 2    | 22       | 25010241    | Spring & Ball Assembly                             | 1    |
| 4        | 25010332    | Inlet Plumbing Kit                             | 1    | 23       | 25010330    | Adjustable Relief Valve Kit                        | 1    |
| 5        | 25010244    | Plumbing Elbow                                 | 1    | 24       | 25010518    | Adjustable Relief Valve O-Ring                     | 1    |
| 6        | 25010221    | Filter   | 1    | 25       | 950-004-071 | Machine Screw #12-24 x 1/2 - Hex Washer Head       | 4    |
| 7        | 25010334    | Pump O-Ring Kit                                | 1    | 26       | 25010436    | Decal - Fill Line                                  | 1    |
| 8        | 25010214    | Coupling                                       | 1    | 27       | 25010240    | Plastic Tank                                       | 1    |
| 9        | 25010236    | O-Ring   | 1    | 28       | 25010217    | Plastic Breather                                   | 1    |
| 10       | 25010549    | Return Tube                                    | 1    | 29       | 25010235    | Pin 1/8 x 1/4                                      | 3    |
| 11       | 25010220    | Plumbing Magnet                                | 1    | 30       | 25010335    | Directional Valve O-Ring Kit                       | 1    |
| 12       | 25011654    | Release Valve Kit, Double Spade Coil           | 1    | 31       | 25010533    | U-Valve Assembly                                   | 1    |
|          | 25011920    | Release Valve Kit, Double Spade W/ Ground Wire | 1    | 32       | 950-004-114 | Socket Head Cap Screw W/Thread Lock 1/4-20 x 2 1/8 | 2    |
| 13       | 25011667    | Solenoid Coil, Double Spade                    | 1    | 33       | 952-004-080 | Lock Washer 1/4 x .363 O.D.                        | 4    |
|          | 25011917    | Solenoid Coil, Double Spade W/Ground Wire      | 1    | 34       | 25010336    | Crossover Relief Valve Kit                         | 2    |
| 14       | 25010544    | Cartridge Release Valve                        | 1    | 35       | 25010519    | Crossover Relief Valve O-Ring                      | 2    |
| 15       | 25010992    | O-Ring Kit                                     | 1    | 36       | 25012636    | Shim   | 2    |
| 16       | 25010542    | Flow Control Valve                             | 1    | 37       | 25012637    | Spring   | 2    |
| 17       | 25010230    | Motor 12V DC                                   | 1    | 38       | 25012639    | Mount Block With O-Ring                            | 2    |
| 18       | 25010337    | Motor Brush Kit                                | 1    | 39       | 25010333    | Directional Valve Coil Kit                         | 2    |
| 19       | 25012673    | Ground Stud                                    | 1    | 40       | 25010541    | Coil   | 2    |

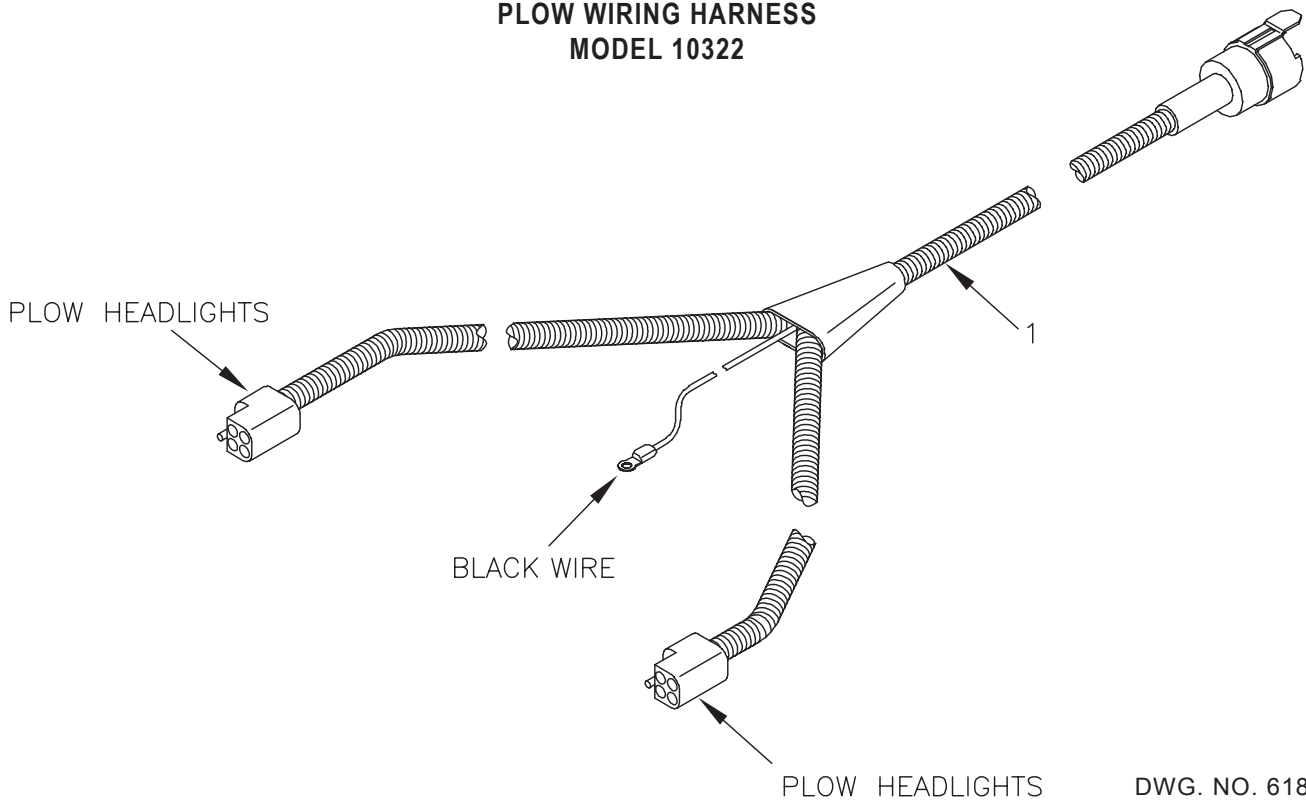
**PLOW WIRING HARNESS**



DWG. NO. 6558

| REF. NO. | PART NUMBER | DESCRIPTION                               | QTY. | REF. NO. | PART NUMBER | DESCRIPTION                               | QTY. |
|----------|-------------|---|------|----------|-------------|---|------|
| 1        | 38813036    | External Cable Assembly - Snow Plow       | 1    | 3        | 38813069    | Ground Wire (Use On Power Unit DB-7017-1) | 1    |
| 2        | 38813094    | Ground Wire (Use On Power Unit DB-7929-3) | 1    |          |             |   |      |

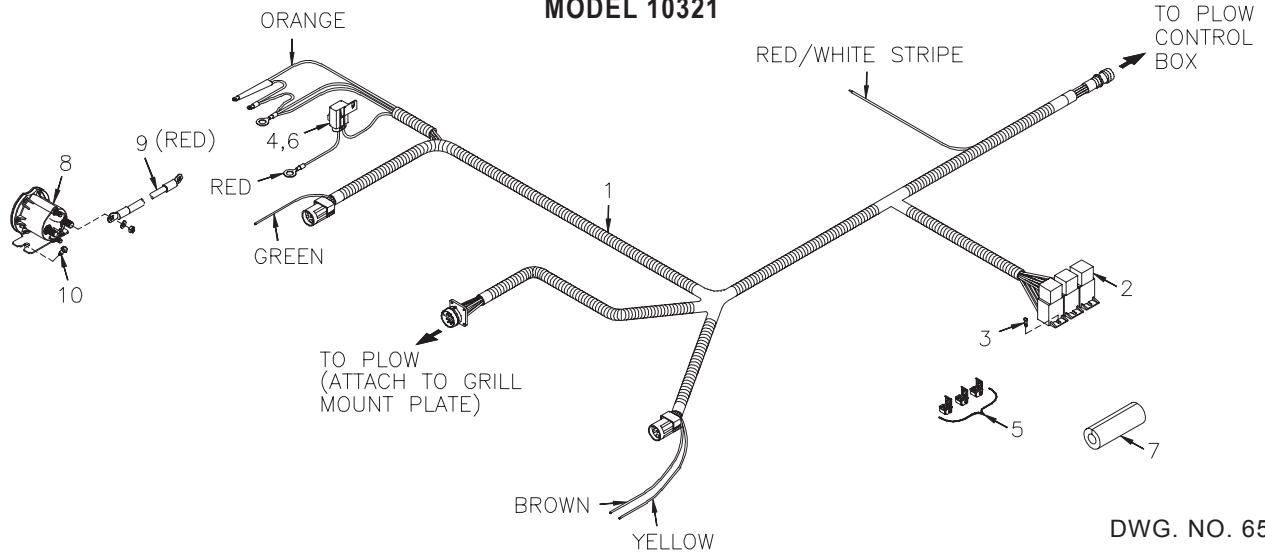
**PLOW WIRING HARNESS  
MODEL 10322**



DWG. NO. 6184

| REF. NO. | PART NUMBER | DESCRIPTION        | QTY. | REF. NO. | PART NUMBER | DESCRIPTION | QTY. |
|----------|-------------|--------------------|------|----------|-------------|-------------|------|
| 1        | 38813092    | Plow Light Harness | 1    |          |             |             |      |

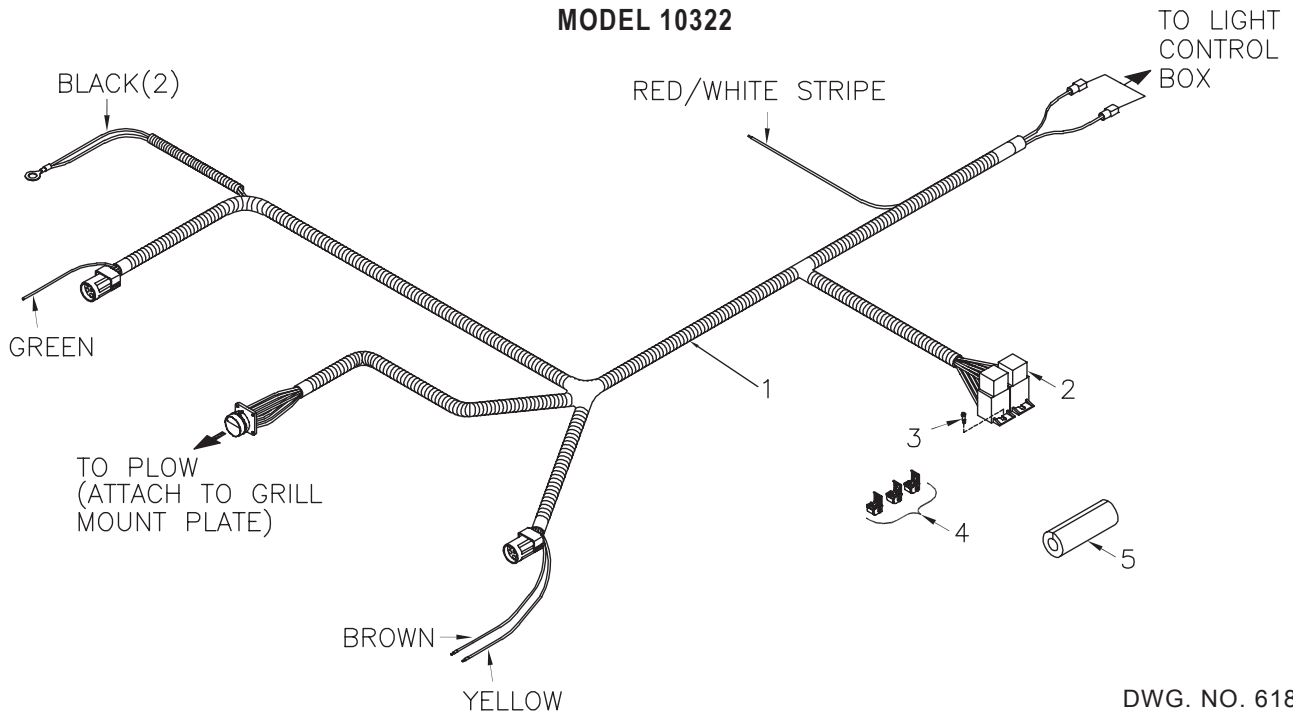
**UNDERHOOD WIRING HARNESS  
MODEL 10321**



DWG. NO. 6560

| REF. NO. | PART NUMBER | DESCRIPTION  | QTY. | REF. NO. | PART NUMBER | DESCRIPTION                                 | QTY. |
|----------|-------------|--|------|----------|-------------|---|------|
| 1        | 38813034    | Underhood Snowplow Cable Assembly (Includes Relays And Fuse) | 1    | 6        | 38400012    | Cover, Fuse Holder                          | 1    |
| 2        | 38350010    | Headlight/Accessory Relay                                    | 3    | 7        | 39107001    | Foam Grommet 4" Long                        | 1    |
| 3        | 031-30078   | Self Tap Screw #8-18 x 1/2 Slotted Hex Head                  | 3    | 8        | 38350015    | Motor Solenoid, Sealed                      | 1    |
| 4        | 39207031    | 10 Amp Fuse  | 1    | 9        | 38813012    | Solenoid Cable, Red                         | 1    |
| 5        | 38610104    | Sealed Wire Tap Connector                                    | 3    | 10       | 950-005-004 | Self Tap Screw 1/4-20 x 1/2 Hex Washer Head | 2    |

**UNDERHOOD WIRING HARNESS  
MODEL 10322**

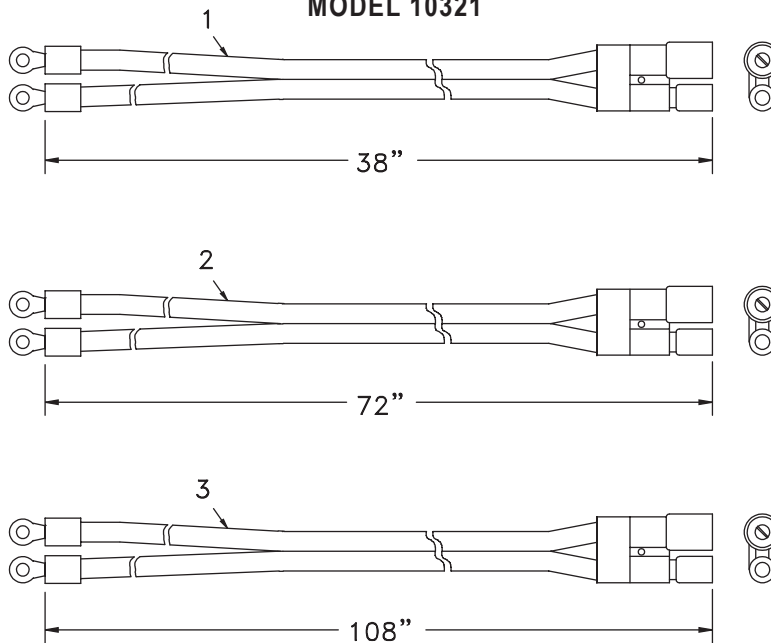


DWG. NO. 6183

| REF. NO. | PART NUMBER | DESCRIPTION                               | QTY. | REF. NO. | PART NUMBER | DESCRIPTION               | QTY. |
|----------|-------------|---|------|----------|-------------|---------------------------|------|
| 1        | 38813093    | Underhood Light Harness (Includes Relays) | 1    | 4        | 38610104    | Sealed Wire Tap Connector | 3    |
| 2        | 38350010    | Headlight Relay                           | 2    | 5        | 39107001    | Foam Grommet 4" Long      | 1    |
| 3        | 031-30078   | S-Tap Screw #8-18 Slotted Hex Head        | 2    |          |             |                           |      |

10 FT POLY TRIP EDGE PLOW 10321-10322

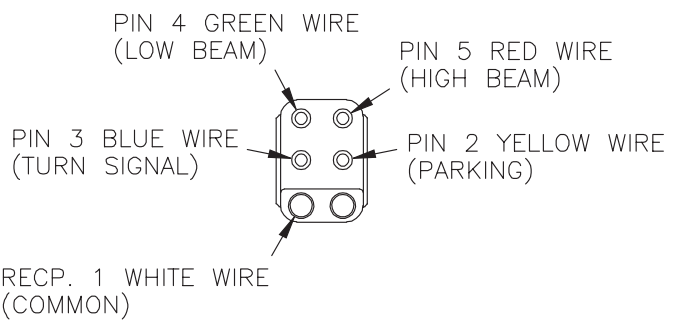
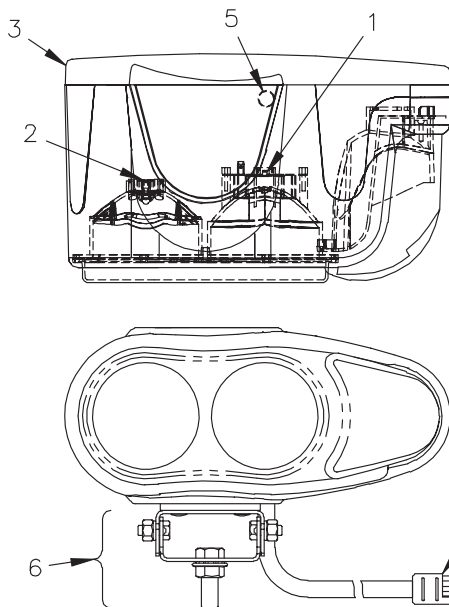
POWER CABLES  
MODEL 10321



DWG. NO. 5342

| REF. NO. | PART NUMBER | DESCRIPTION                       | QTY. | REF. NO. | PART NUMBER | DESCRIPTION                       | QTY. |
|----------|-------------|-----------------------------------|------|----------|-------------|-----------------------------------|------|
| 1        | 38812008    | Battery Power Cable - Snow Plow   | 1    | 3        | 38813066    | Battery Power Cable - Truck 9 Ft. | 1    |
| 2        | 38813007    | Battery Power Cable - Truck 6 Ft. | 1    |          |             |                                   |      |

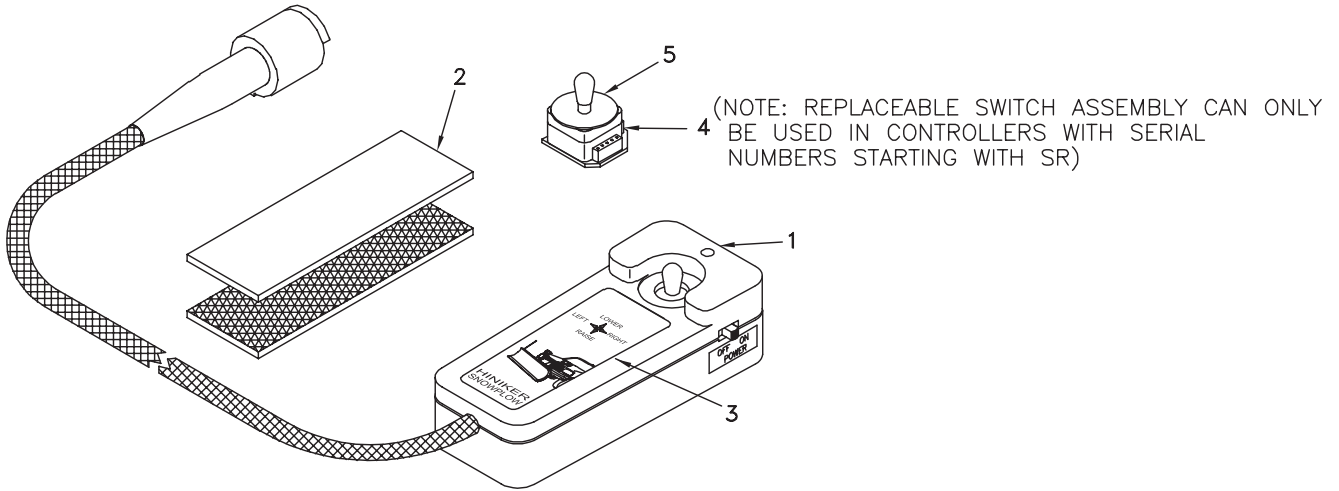
HEADLAMPS



DWG. NO. 6628

| REF. NO. | PART NUMBER | DESCRIPTION            | QTY. | REF. NO. | PART NUMBER | DESCRIPTION  | QTY. |
|----------|-------------|------------------------|------|----------|-------------|--|------|
|          | 25012793    | LH Light Assembly      | 1    | 5        | 25012417    | Conduit Clamp  | 1    |
|          | 25012792    | RH Light Assembly      | 1    | 6        | 25012794    | Mounting Hardware Kit  | 1    |
| 1        | 25012416    | Spring Clip, High Beam | 1    |          | N/A         | High Beam Headlight Bulb - One #H1 12V, 55W                              | 1    |
| 2        | 25012415    | Spring Clip, Low Beam  | 1    |          | N/A         | Low Beam Headlight Bulb - One #H7 12V, 55W                               | 1    |
| 3        | 25012414    | Back Panel, LH Light   | 1    |          | N/A         | Turn Signal/Parking Bulb - One #1157 Heavy Duty Double Contact 32/3 C.P. | 1    |
|          | 25012419    | Back Panel, RH Light   | 1    |          |             |  |      |
| 4        | 25012418    | Wire Harness           | 1    |          |             |  |      |

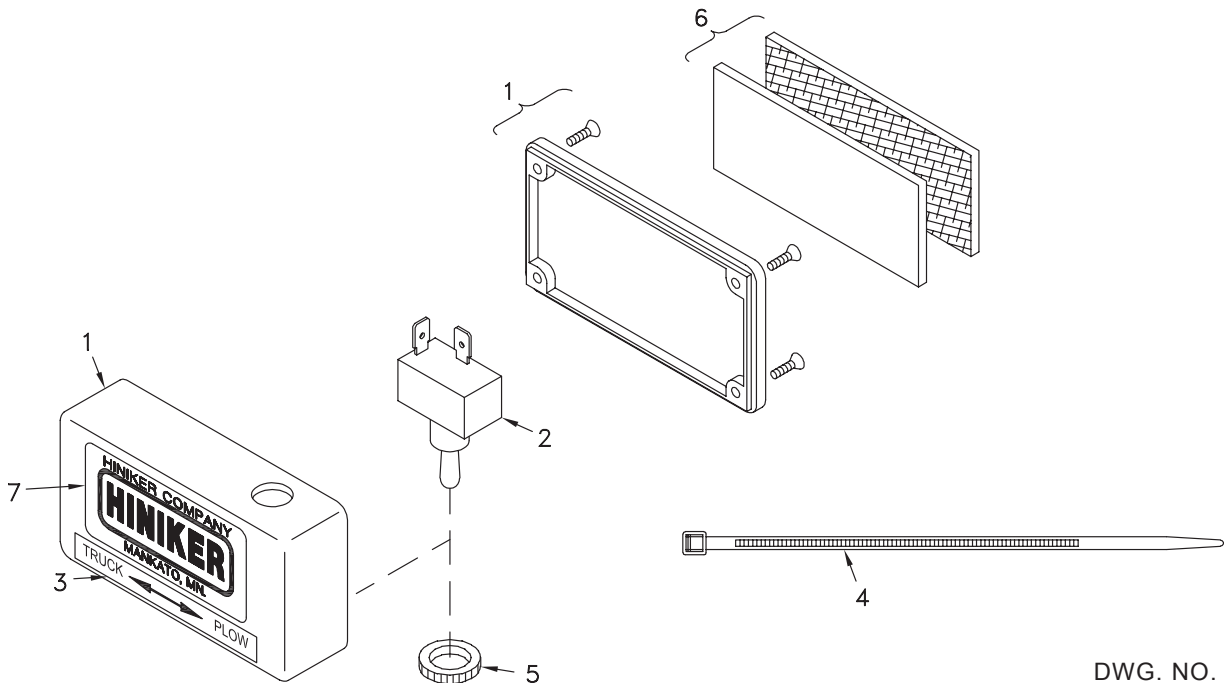
**JOYSTICK CONTROLLER  
MODEL 10321**



DWG. NO. 5925

| REF. NO. | PART NUMBER | DESCRIPTION                                 | QTY. | REF. NO. | PART NUMBER | DESCRIPTION                 | QTY. |
|----------|-------------|---|------|----------|-------------|-----------------------------|------|
| 1        | 36014020    | Joystick Straight Plow W/Replaceable Switch | 1    | 4        | 36014019    | Replaceable Switch Assembly | 1    |
| 2        | 39108005    | Hook & Loop Assembly                        | 1    | 5        | 36716033    | Gasket                      | 1    |
| 3        | 39302141    | Decal, Straight Plow Joystick, 2 Sided      | 1    |          |             |                             |      |

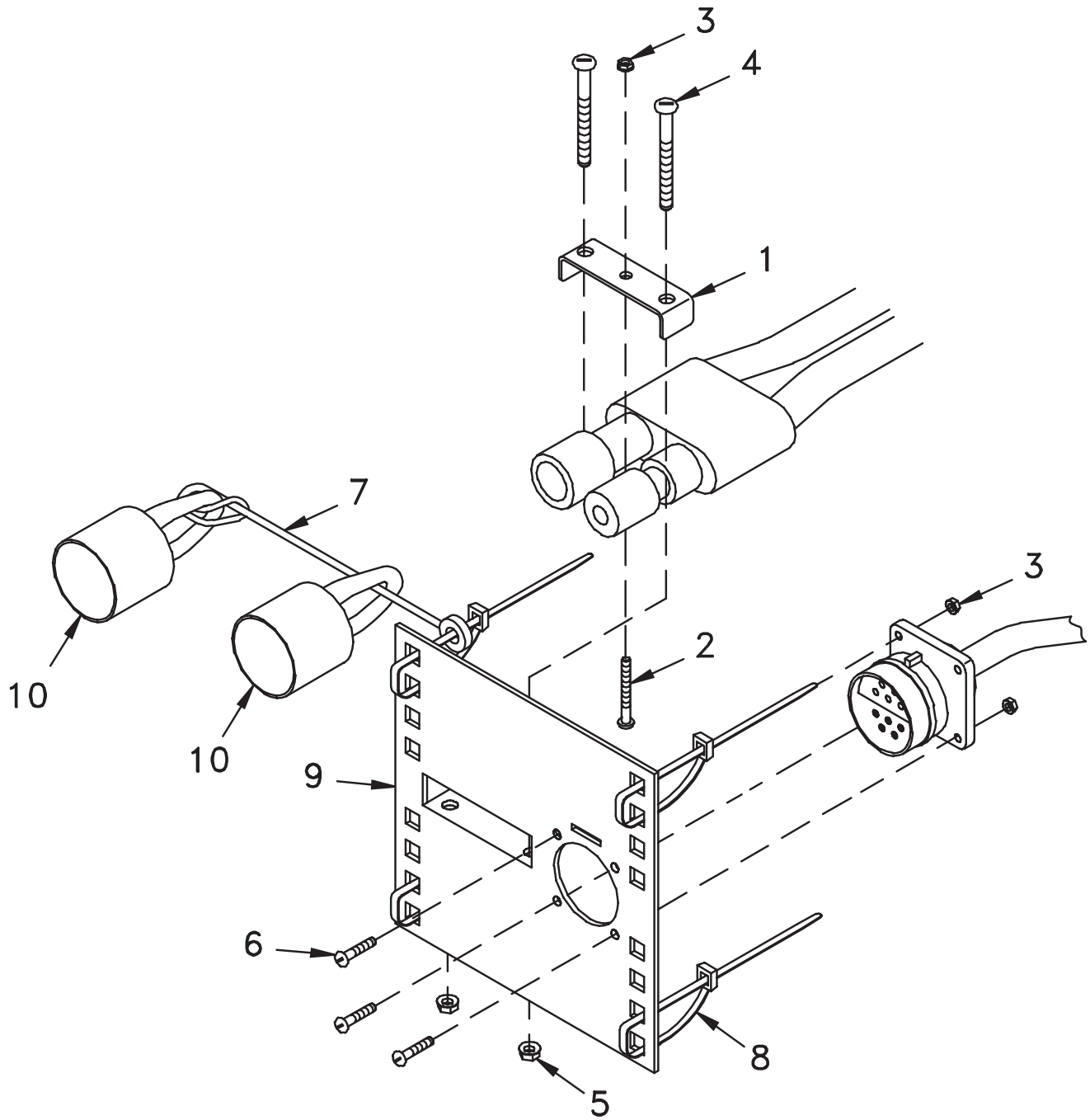
**HEADLIGHT SWITCH ASSEMBLY**



DWG. NO. 6189

| REF. NO. | PART NUMBER | DESCRIPTION            | QTY. | REF. NO. | PART NUMBER | DESCRIPTION                                | QTY. |
|----------|-------------|------------------------|------|----------|-------------|--|------|
| 1        | 36716038    | Enclosure              | 1    | 5        | 39209018    | Nut, Knurled Plastic                       | 1    |
| 2        | 38321124    | Switch, On-None-Off    | 1    | 6        | 39108005    | Velcro, Hook & Loop Assembly               | 1    |
| 3        | 39302163    | Label Truck/Plow       | 1    | 7        | 393-002-013 | Hiniker Decal                              | 1    |
| 4        | 367-001-014 | Cable Tie, Black 8 In. | 1    |          | 36014027    | Light Switch Assembly (Includes Items 1-7) |      |

GRILL MOUNT PLATE



DWG 3900A

| REF. NO. | PART NUMBER | DESCRIPTION                                    | QTY. | REF. NO. | PART NUMBER | DESCRIPTION                                 | QTY. |
|----------|-------------|--|------|----------|-------------|---|------|
|          | 25010512    | Complete Mount Plate Kit (Items 1-10)          |      | 6        | 950-004-033 | Machine Screw #6-32 x 1/2" Slotted Pan Head | 4    |
| 1        | 25011037    | Clamp  | 1    | 7        | 36716025    | Nylon Lanyard 8"                            | 1    |
| 2        | 700-10904   | Machine Screw #6-32 x 1" Slotted Pan Head      | 1    | 8        | 367-001-011 | Cable Tie 14"                               | 4    |
| 3        | 951-003-014 | Lock Nut #6-32 Nylon Insert                    | 5    | 9        | 25010278    | Plug Mount Plate                            | 1    |
| 4        | 950-004-076 | Machine Screw #10-24 x 1 1/2" Slotted Pan Head | 2    | 10       | 36716002    | Dust Cap                                    | 2    |
| 5        | 392-010-010 | Lock Nut #10-24 Nylon Insert                   | 2    |          |             |   |      |