

SECTION 1

GASOLINE DRIVEN

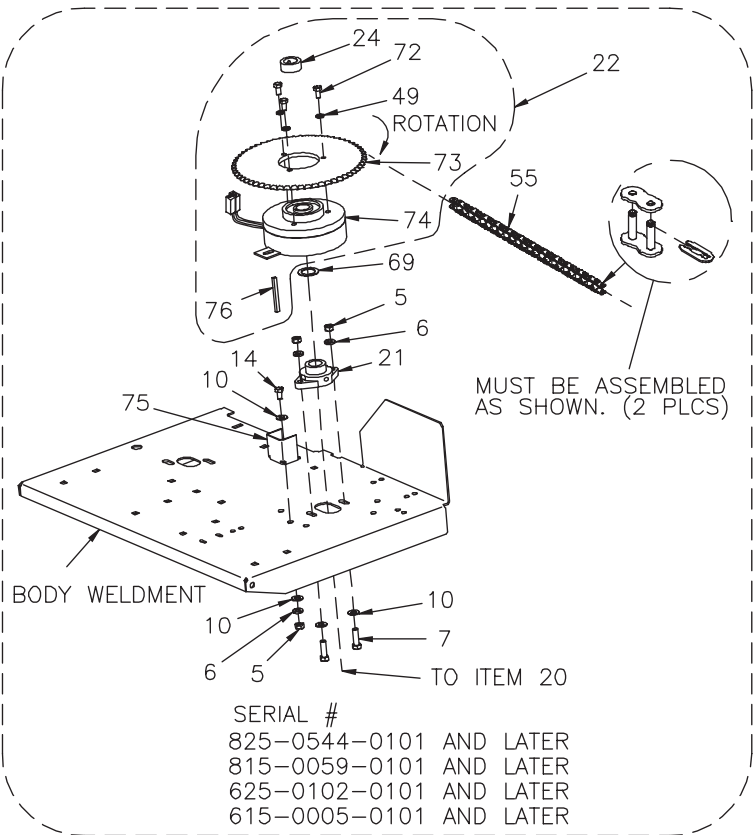
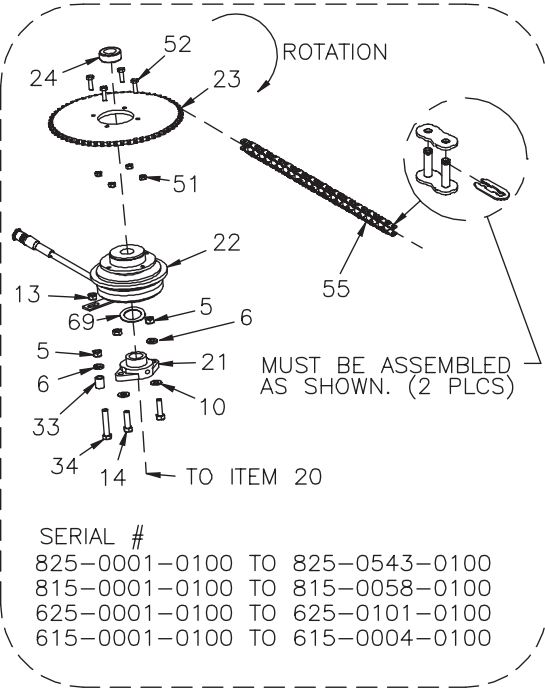
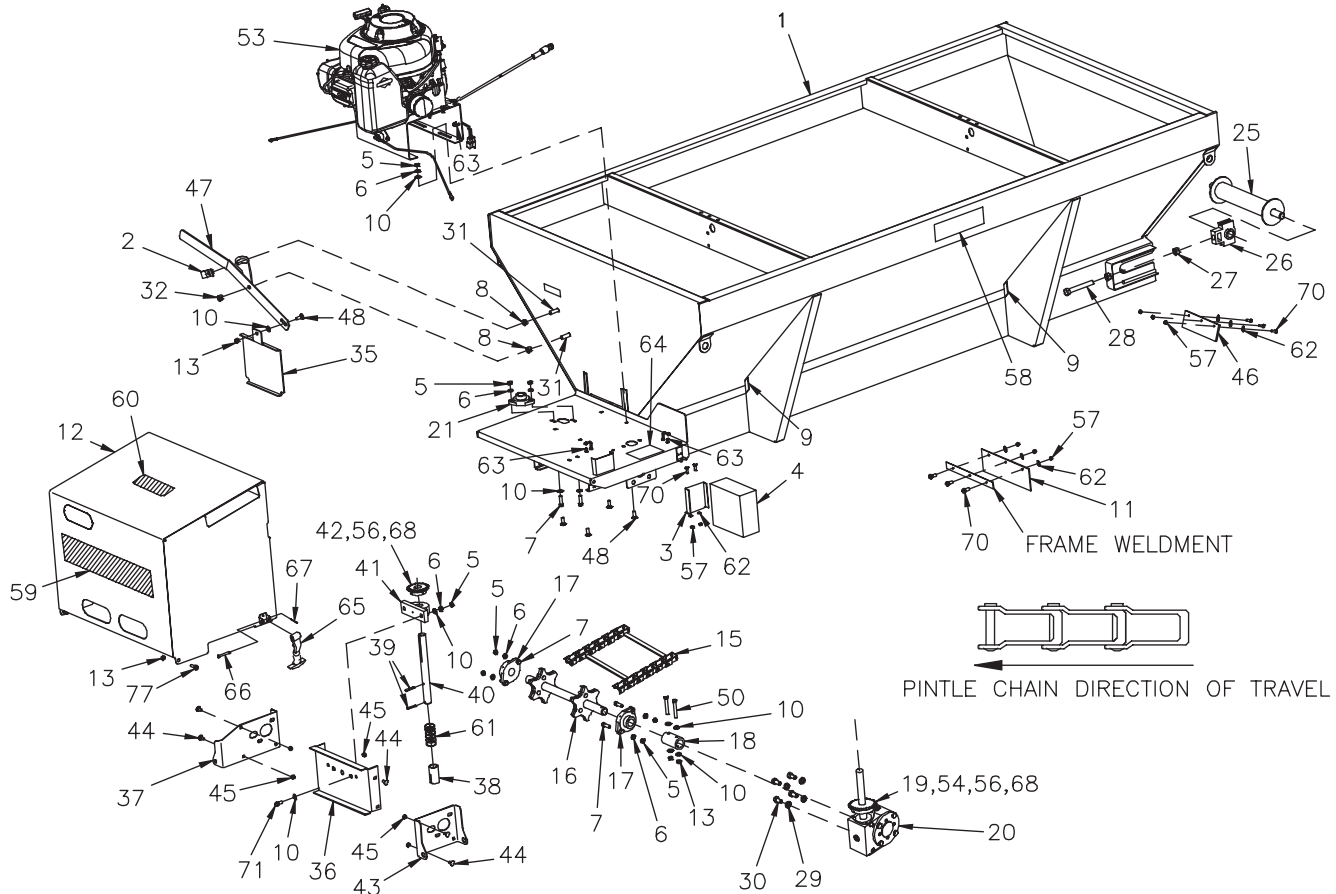
SPREADER COMPONENTS

(MODELS 825/815/625/615)

| | |
|----------------|---|
| PAGE 2 | HOPPER ASSEMBLY |
| PAGE 4 | DISCHARGE CHUTE ASSEMBLY |
| PAGE 5 | ELECTRICAL ASSEMBLY |
| PAGE 6 | ENGINE ASSEMBLY |
| PAGE 7 | GEARBOX ASSEMBLY |
| PAGE 8 | FRONT SHAFT AND APRON CHAIN ASSEMBLY |
| | OPTIONAL EQUIPMENT |
| PAGE 9 | INVERTED V |
| PAGE 10 | HINGED HOPPER GRIDS |
| PAGE 10 | TARP KIT |
| PAGE 11 | TIE DOWN KIT |
| PAGE 11 | BRAKE LIGHT KIT |

HINIKER GASOLINE ENGINE SPREADER

HOPPER ASSEMBLY



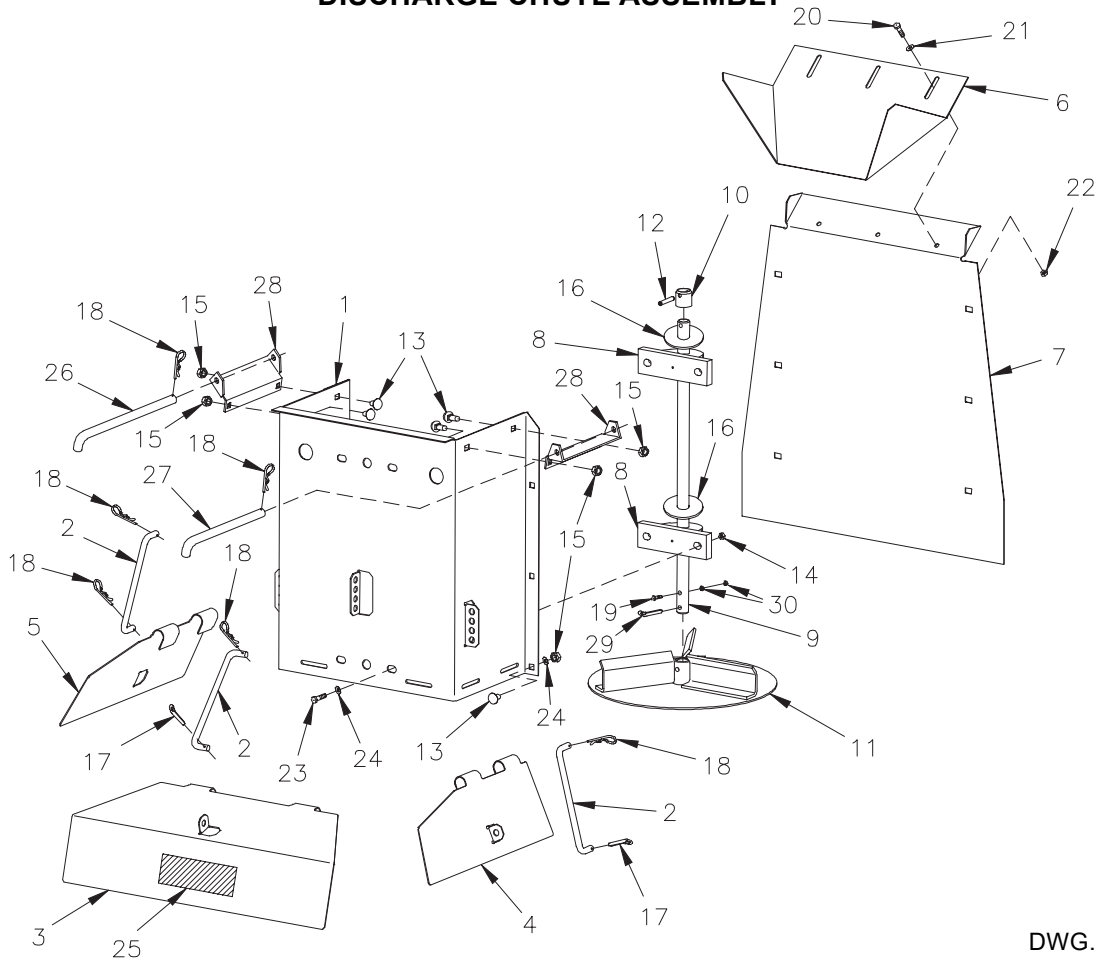
HINIKER GASOLINE ENGINE SPREADER

ITEMS
1

| REF. NO. | PART NUMBER | DESCRIPTION | QTY. | REF. NO. | PART NUMBER | DESCRIPTION | QTY. |
|----------|-------------|---|------|----------|-------------|--|------|
| 1 | 79202532 | 6 1/2 Ft SS Hopper Weldment | 1 | 37 | 79202523 | Chute Pivot SS | 1 |
| | 79202416 | 8 Ft SS Hopper Weldment | 1 | 38 | 79202456 | Shaft Coupler | 1 |
| 2 | 79202554 | Lever Nut SS | 1 | 39 | 953-003-003 | Slotted Spring pin 1/4 x 1 3/4 | 2 |
| | 79202451 | Lever Nut | 1 | 40 | 79202464 | Top Spinner Shaft | 1 |
| 3 | 79202521 | Battery Bracket SS | 1 | 41 | 79202741 | Pillow Block Bearing (Exposed Grease Zerk) | 1 |
| | 79202452 | Battery Bracket | 1 | 42 | 79202474 | Sprocket 40B18 | 1 |
| 4 | 79202401 | Battery | 1 | 43 | 79202519 | Clevis SS | 1 |
| 5 | 951-001-005 | Hex Nut 3/8-16 | A/R | 44 | 030-16041 | Carriage Bolt 5/16-18 x 3/4 Gr. 5 | 6 |
| | 061910 | Hex Nut 3/8-16 SS | A/R | | 950-003-080 | Carriage Bolt 5/16-18 x 3/4 SS | 6 |
| 6 | 952-001-007 | Lock Washer 3/8 Med Split SAE | A/R | 45 | 951-005-036 | Mac Lock Nut 5/16-18 | 6 |
| | 033-29011 | Lock Washer 3/8 Med Split SS | A/R | | 951-002-011 | Whiz Lock Nut 5/16-18 SS | 6 |
| 7 | 950-001-106 | Hex Head Cap Screw 3/8-16 x 1 1/4 Gr 5 | A/R | 46 | 79202458 | Front Wiper | 1 |
| | 950-001-344 | Hex Head Cap Screw 3/8-16 x 1 1/4 SS | A/R | 47 | 79202524 | Lever Weldment SS | 1 |
| 8 | 951-001-007 | Hex Nut 1/2-13 | 2 | | 79202466 | Lever Weldment | 1 |
| | 061923 | Hex Nut 1/2-13 SS | 2 | 48 | 950-003-029 | Carriage Bolt 3/8-16 x 1 Gr. 5 | 5 |
| 9 | 79202477 | Trim 1 1/2 Inch | 2 | | 950-003-067 | Carriage Bolt 3/8-16 x 1 SS | 5 |
| 10 | 952-003-006 | Flat Washer 3/8 SAE | A/R | 49 | 952-001-002 | Lock Washer 5/16 Med Split SAE | A/R |
| | 061916 | Flat Washer 3/8 SAE SS | A/R | | 061917 | Lock Washer 5/16 SS | A/R |
| 11 | 79201694 | Chain Wiper | 1 | 50 | 031-06113 | Hex Head Cap Screw 3/8-16 x 3 Gr. 5 | 2 |
| 12 | 79202527 | Cover Weldment SS | 1 | 51 | 951-005-089 | 2-Way Hex Nut 1/4-20 Gr. A | 4 |
| | 79202440 | Cover Weldment | 1 | 52 | 031-06005 | Hex Head Cap Screw 1/4-20 x 7/8 Gr. 5 | 4 |
| 13 | 951-005-051 | Lock Nut 3/8-16 | A/R | 53 | 79202446 | Engine Assembly SS (See Sec. 1 P. 6) | 1 |
| 14 | 950-001-105 | Hex Head Cap Screw 3/8-16 x 1 Gr. 5 | A/R | 54 | 79202475 | Roller Chain #40 77 Links | 1 |
| | 950-001-286 | Hex Head Cap Screw 3/8-16 x 1 SS | A/R | 55 | 79202476 | Roller Chain #40 81 Links | 1 |
| 15 | 79202399 | Apron Chain Assembly 6 1/2' (See Sec. 1 P. 8) | 1 | 56 | 031-23016 | Hex Socket Set Screw 1/4-20 x 3/8 Cup | 4 |
| | 79202398 | Apron Chain Assembly 8' (See Sec. 1 P. 8) | 1 | 57 | 951-005-089 | 2-Way Nut 1/4-20 Gr. A | 8 |
| 16 | 79202469 | Drive Shaft Weldment | 1 | | 061605 | Lock Nut 1/4-20 Nylon Insert SS | 8 |
| 17 | 79202405 | 2-Bolt Flange 206-18 | 2 | 58 | 85501786 | Hiniker Decal | 2 |
| 18 | 79202453 | Coupler | 1 | | 79204094 | Hiniker Decal (SS Model) | 2 |
| 19 | 79202472 | Sprocket 40B24 | 1 | 59 | 79202024 | Hiniker Decal | 1 |
| 20 | 79202396 | Gearbox (See Sec. 1 P. 7) | 1 | | 79204093 | Hiniker Decal (SS Model) | 1 |
| 21 | 79202404 | 2-Bolt Flange 205-16 | 2 | 60 | 715-04016 | No Step Decal | 1 |
| 22 | 79203165 | Replacement Clutch Kit Includes Items (24, 49, 72-76) | 1 | 61 | 79203337 | Compression Spring | 1 |
| 23 | 50205016 | Sprocket #40 60T | 1 | 62 | 952-002-011 | Flat Washer 1/4 Wrt | 8 |
| 24 | 79203147 | Shaft Locking Collar 1" Bore | 1 | | 952-004-062 | Flat Washer 1/4 SS | 8 |
| 25 | 79202459 | Idler Weldment | 1 | 63 | 367-001-014 | Cable Tie, Black 8 Inch | 3 |
| 26 | 79202406 | Take Up Bearing 205-16 | 2 | 64 | 71504138 | Decal Warning, Rotating Parts | 1 |
| 27 | 951-001-008 | Nut-Hex 5/8-11 | 2 | 65 | 720-02126 | Latch, Rubber | 2 |
| | 061937 | Nut-Hex 5/8-11 SS | 2 | 66 | 953-002-039 | Clevis Pin 3/16 x 1 3/4 | 2 |
| 28 | 950-001-199 | Hex Head Cap Screw 5/8-11 x 6 Full Thread | 2 | 67 | 720-02128 | Cotter Pin 1/16 x 1/2 | 2 |
| | 950-001-346 | Hex Head Cap Screw 5/8-11 x 6 Full Thread SS | 2 | 68 | 702-53004 | Key 1/4 x 1/4 x 1 | 2 |
| 29 | 952-001-004 | Lock Washer 1/2 Med Split SAE | 4 | 69 | 952-004-052 | Machine Bushing 1 1/32 x 1 1/2 x .048 | 1 |
| | 061925 | Lock Washer 1/2 SS | 4 | 70 | 950-001-117 | Hex Head Cap Screw 1/4-20 x 3/4 Gr. 5 | 8 |
| 30 | 950-001-231 | Hex Head Cap Screw 1/2-13 x 1 Gr. 5 | 4 | | 950-001-334 | Hex Head Cap Screw 1/4-20 x 3/4 SS | 8 |
| | 950-001-288 | Hex Head Cap Screw 1/2-13 x 1 SS | 4 | 71 | 950-001-108 | Hex Head Cap Screw 3/8-16 x 1 1/2 Gr. 5 | 2 |
| 31 | 950-001-125 | Hex Head Cap Screw 1/2-13 x 1 1/2 Gr. 5 | 2 | | 950-001-314 | Hex Head Cap Screw 3/8-16 x 1 1/2 SS | 2 |
| | 950-001-347 | Hex Head Cap Screw 1/2-13 x 1 1/2 SS | 2 | 72 | 950-001-232 | Hex Head Cap Screw 5/16-18 x 5/8 Gr. 5 | 3 |
| 32 | 10304 | Lock Nut 1/2-13 | 1 | | 950-001-350 | Hex Head Cap Screw 5/16-18 x 5/8 SS | 3 |
| | 951-003-012 | Lock Nut 1/2-13 Nylon Insert SS | 1 | 73 | 79203162 | Sprocket 60T #40 Clutch | 1 |
| 33 | 79202457 | Spacer | 1 | 74 | 79203161 | Electric Clutch | 1 |
| 34 | 950-001-242 | Hex Head Cap Screw 3/8-16 x 2 Gr. 5 Full Thread | 1 | 75 | 79203163 | Clutch Stop SS | 1 |
| 35 | 79202520 | Feed Gate SS | 1 | 76 | 79203160 | Key 1/4 x 1/4 x 2 9/16 Long | 1 |
| | 79202463 | Feed Gate | 1 | 77 | 950-001-089 | Hex Head Cap Screw 3/8 x 3/4 Gr. 5 | A/R |
| 36 | 79202522 | Top Chute Mount SS | 1 | | 031-09103 | Hex Head Cap Screw 3/8 x 3/4 SS | A/R |
| | 79202465 | Top Chute Mount | 1 | | | | |

HINIKER GASOLINE ENGINE SPREADER

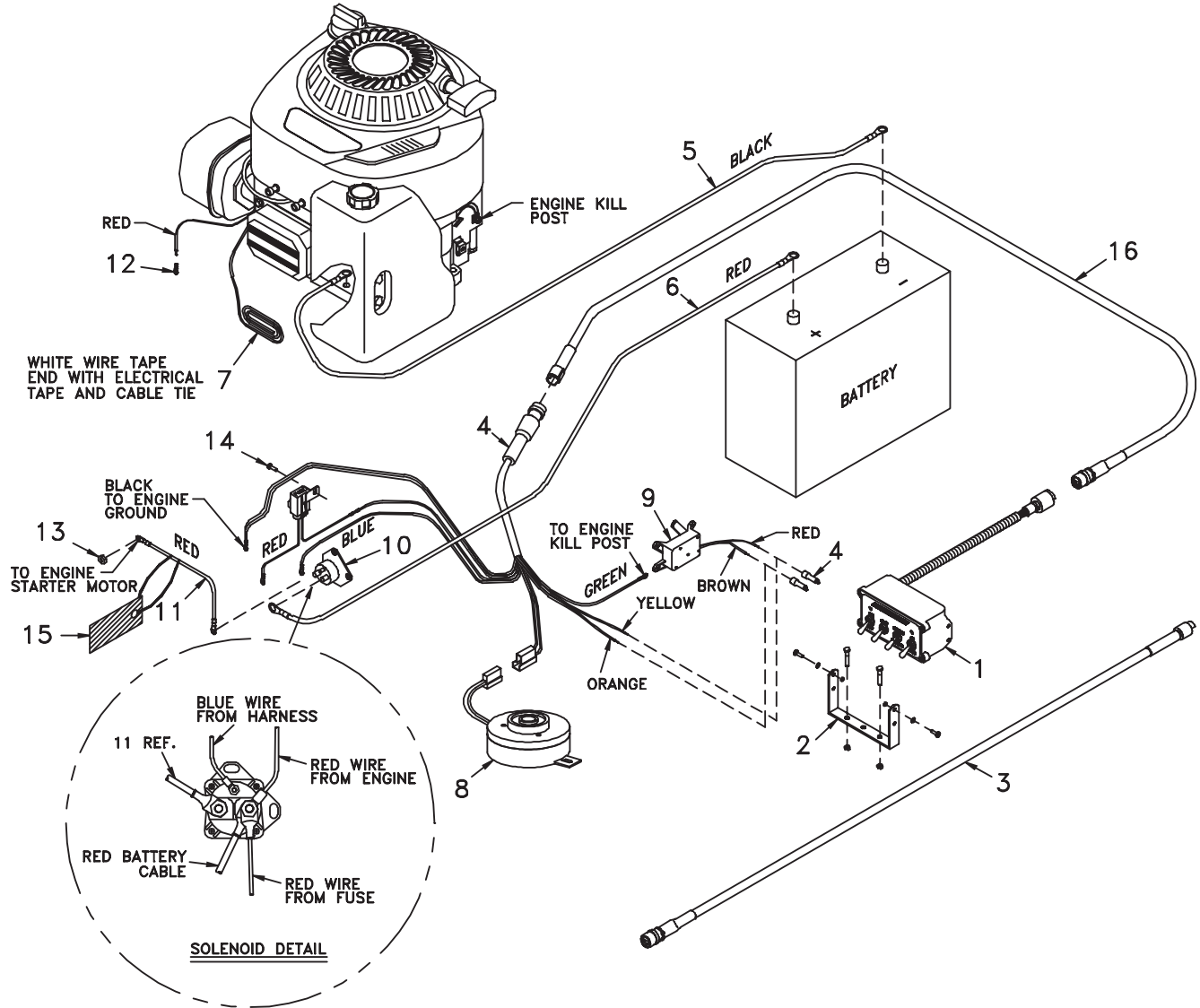
DISCHARGE CHUTE ASSEMBLY



DWG. NO. 6036

| REF. NO. | PART NUMBER | DESCRIPTION | QTY. | REF. NO. | PART NUMBER | DESCRIPTION | QTY. |
|----------|-------------|--|------|----------|-------------|--|------|
| 1 | 79202511 | Long Discharge Chute SS | 1 | 15 | 951-005-036 | Hex Mac Lock Nut 5/16-18 | A/R |
| | 79202503 | Short Discharge Chute SS | 1 | | 951-002-011 | Lock Nut 5/16-18 Whiz Lock SS | A/R |
| | 79202484 | Short Discharge Chute | 1 | 16 | 79202483 | Bearing Shield | 2 |
| 2 | 79202502 | Adjustment Rod SS | 3 | 17 | 701-35103 | Cotter Pin 3/32 x 5/8 | 2 |
| 3 | 79202504 | Rear Deflector SS | 1 | 18 | 953-005-005 | Pin-Hair Cotter 3/32 x 1 7/8 | 6 |
| 4 | 79202194 | RH Side Deflector SS | 1 | 19 | 031-06010 | Hex Head Cap Screw 1/4-20 x 2 Gr. 5 | 1 |
| 5 | 79202193 | LH Side Deflector SS | 1 | 20 | 950-001-117 | Hex Head Cap Screw 1/4-20 x 3/4 Gr. 5 | 3 |
| 6 | 79202505 | Inner Deflector SS | 1 | | 950-001-319 | Hex Head Cap Screw 1/4-20 x 1/2 316 SS | 3 |
| | 79202486 | Inner Deflector | 1 | 21 | 952-002-011 | Flat Washer 1/4 Wrt | 3 |
| 7 | 79202512 | Long Chute Deflector SS | 1 | | 952-004-062 | Flat Washer 1/4 SS | 3 |
| | 79202496 | Long Chute Deflector | 1 | 22 | 951-005-089 | 2-Way Lock Nut 1/4-20 | 3 |
| | 79202506 | Short Chute Deflector SS | 1 | | 061605 | Lock Nut 1/4-20 SS | 3 |
| | 79202493 | Short Chute Deflector | 1 | 23 | 950-002-014 | Whiz Lock Bolt 3/8-16 x 1 1/4 Gr. 5 | 4 |
| 8 | 79202742 | Pillow Block Bearing (Exposed Grease Zerk) | 2 | | 950-001-344 | Hex Head Cap Screw 3/8-16 x 1 1/4 SS | 4 |
| 9 | 79202495 | Lower Spinner Shaft (Long) | 1 | 24 | 952-002-003 | Flat Washer 3/8 | A/R |
| | 79202487 | Lower Spinner Shaft (Short) | 1 | | 952-002-013 | Flat Washer 3/8 SS | A/R |
| 10 | 79202488 | Bushing | 1 | 25 | 715-04017 | Decal Warning-Moving Parts | 1 |
| 11 | 79202507 | Spinner Weldment SS | 1 | 26 | 79202518 | Chute Pin Long SS | 1 |
| 12 | 953-003-003 | Pin Slotted Spring 1/4 x 1 3/4 Zinc Plated | 1 | | 79202516 | Chute Pin Long | 1 |
| 13 | 950-003-060 | Carriage Bolt 5/16-18 x 5/8 Gr. 5 | A/R | 27 | 79202517 | Chute Pin SS | 1 |
| | 950-003-080 | Carriage Bolt 5/16-18 x 3/4 SS | A/R | 28 | 79202716 | Chute Hinge SS | 2 |
| 14 | 951-002-003 | Whiz Lock Nut 3/8-16 | 4 | | 79202715 | Chute Hinge | 2 |
| | 951-002-013 | Whiz Lock Nut 3/8-16 SS | 4 | 29 | 035-42063 | Cotter Pin 1/4 x 1 1/4 | 1 |
| | | | | 30 | 060954 | Lock Nut 1/4-20 Nylon Insert | 2 |
| | | | | | 79202387 | Short Spinner Assembly, Complete | |
| | | | | | 79202388 | Long Spinner Assembly, Complete | |

ELECTRICAL ASSEMBLY

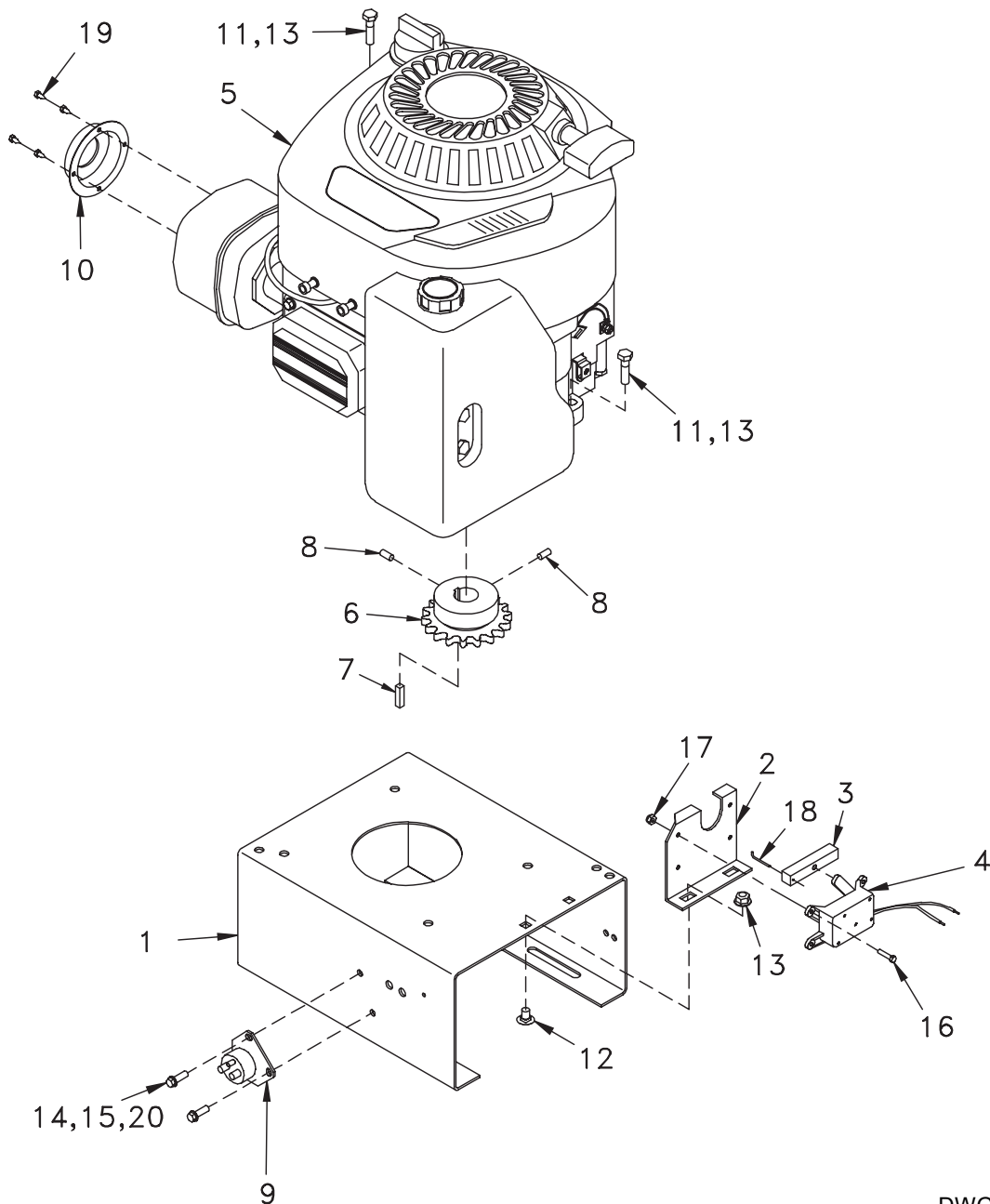


DWG. NO. 6034

| REF. NO. | PART NUMBER | DESCRIPTION | QTY. | REF. NO. | PART NUMBER | DESCRIPTION | QTY. |
|----------|-------------|--------------------------------------|------|----------|-------------|---|------|
| 1 | 36112004 | Sander Control Box Assembly | 1 | 9 | 79202397 | Electrical Actuator | 1 |
| | 79201729 | Control Box Bracket Kit | 1 | 10 | 79202084 | Starter Solenoid | 1 |
| 3 | 38812017 | 5 Foot Console Extension | 1 | 11 | 38812023 | Cable Assembly Solenoid To Starter | 1 |
| 4 | 38812028 | Wiring Harness Engine 3' | 1 | 12 | 300-14002 | Terminal Ring, 5/16" | 1 |
| 5 | 38812022 | Wire Assembly Negative Battery Black | 1 | 13 | 951-001-003 | Hex Nut 1/4-20 | 1 |
| 6 | 38812021 | Wire Assembly Positive Battery Red | 1 | 14 | 392-010-028 | Self Tapping Screw #8-32 x 1/2 Shw Head T23 | 1 |
| 7 | 367-001-014 | 8" Cable Tie | 2 | 15 | 715-02536 | Caution Battery Tag | 1 |
| 8 | | See Page 2 | 1 | 16 | 38812016 | Cable, Console To Engine 23' | 1 |

HINIKER GASOLINE ENGINE SPREADER

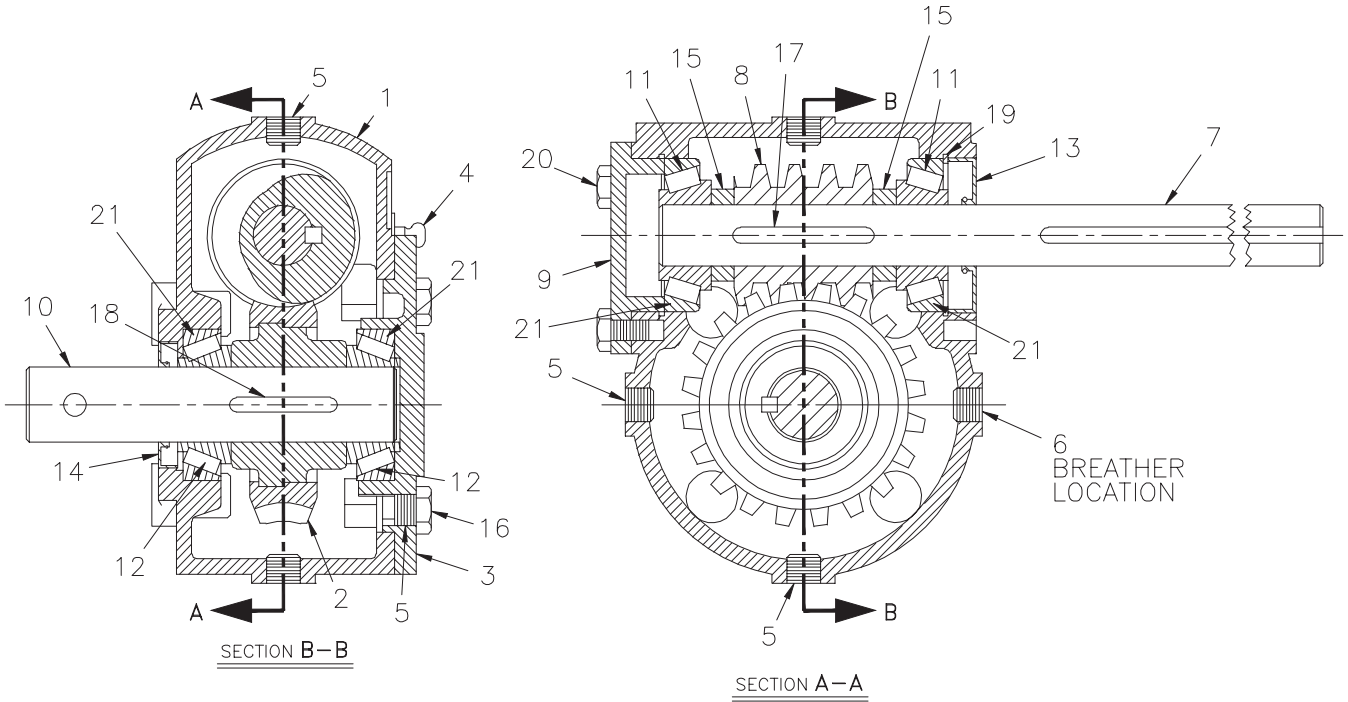
ENGINE ASSEMBLY



DWG. NO. 6033

| REF. NO. | PART NUMBER | DESCRIPTION | QTY. | REF. NO. | PART NUMBER | DESCRIPTION | QTY. |
|----------|-------------|--|------|----------|-------------|---|------|
| 1 | 79202447 | Engine Mount Plate | 1 | 12 | 950-003-002 | Carriage Bolt 5/16-18 x 1/2 Gr. 5 | 2 |
| | 79202500 | Engine Mount Plate SS | 1 | | 950-003-077 | Carriage Bolt 5/16-18 x 5/8 SS | 2 |
| 2 | 79202501 | Throttle Control Bracket SS | 1 | 13 | 951-005-036 | Mac Lock Nut 5/16-18 | 6 |
| 3 | 79201996 | Throttle Control Arm | 1 | | 951-003-015 | Lock Nut 5/16-18 Nylon Insert SS | 6 |
| 4 | 79202397 | Throttle Control Actuator | 1 | 14 | 950-002-003 | Whiz Lock Bolt 1/4-20 x 3/4 | 6 |
| 5 | 50000514 | Engine 10.5 HP | 1 | | 950-001-334 | Hex Head Cap Screw 1/4-20 x 3/4 SS | 4 |
| 6 | 50205013 | Sprocket 12 Tooth, #40 | 1 | 15 | 060954 | Lock Nut 1/4-20 Nylon Insert | 2 |
| 7 | 702-53004 | Straight Key 1/4 x 1 | 1 | | 061605 | Lock Nut 1/4-20 Nylon Insert SS | 2 |
| 8 | 950-008-015 | Socket Head Set Screw 1/4-20 x 1/4 | 2 | 16 | 950-004-031 | Machine Screw #8-32 x 3/4 | 3 |
| 9 | 79202084 | Starter Solenoid | 1 | 17 | 951-003-011 | Lock Nut #8-32 Nylon Insert | 3 |
| 10 | 79202445 | Muffler Deflector | 1 | 18 | 79201995 | Pin | 1 |
| 11 | 950-001-200 | Hex Head Cap Screw 5/16-18 x 1 1/4 Gr. 5 | 4 | 19 | 950-005-027 | Hex Head Self Tapping Screw #8-18 x 3/8 | 4 |
| | 950-001-343 | Hex Head Cap Screw 5/16-18 x 1 1/4 SS | 4 | 20 | 952-003-010 | Flat Washer 1/4 SAE | 2 |
| | | | | | 952-004-062 | Flat Washer 1/4 SS | 2 |

GEARBOX ASSEMBLY

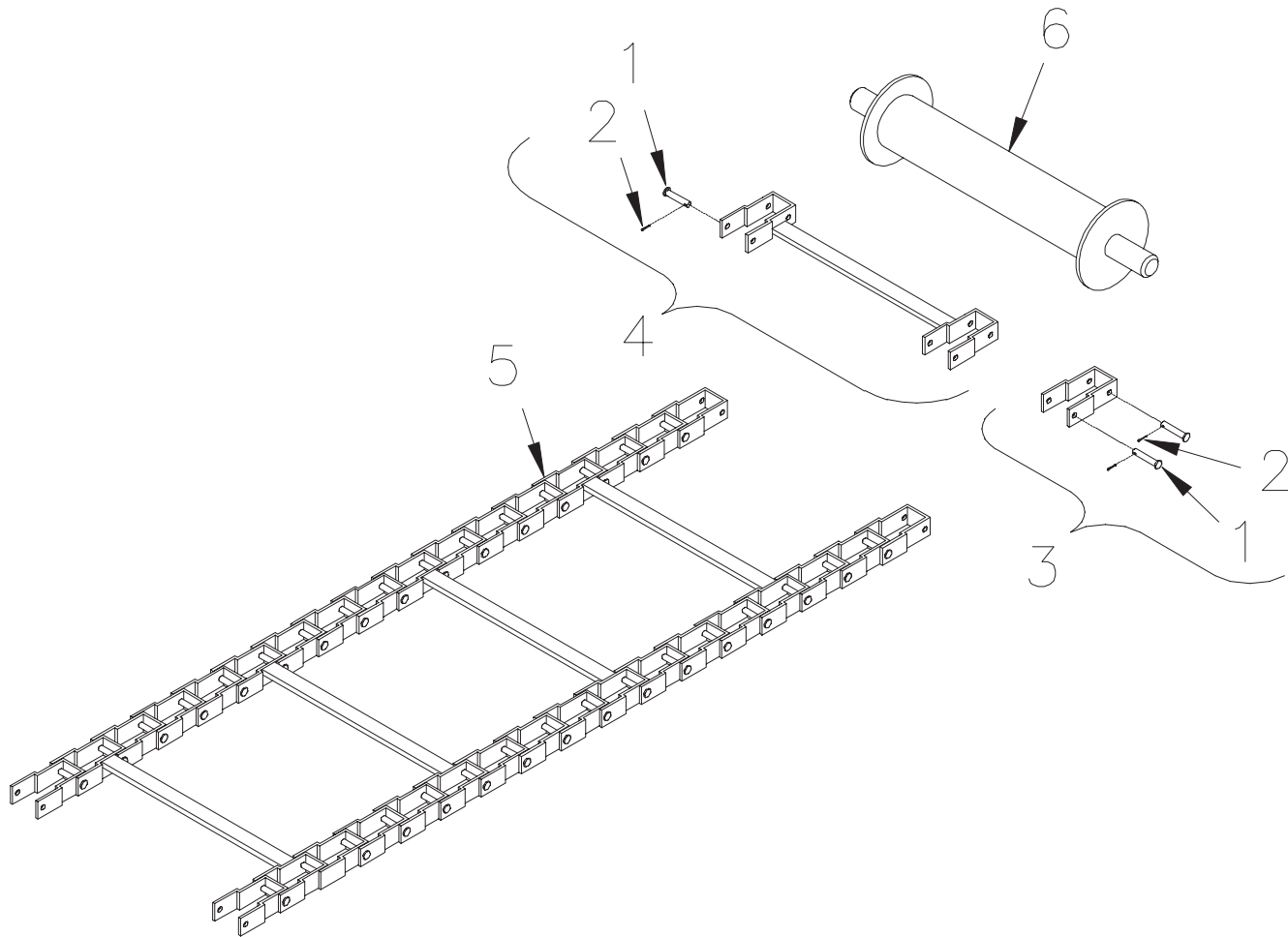


DWG. NO. 6385

| REF. NO. | PART NUMBER | DESCRIPTION | QTY. | REF. NO. | PART NUMBER | DESCRIPTION | QTY. |
|----------|-------------|--------------------------------|------|----------|-------------|--------------------------------------|------|
| 1 | 79202999 | Body (#182734) | 1 | 12 | 79203007 | Tapered Bearing Cone (#100927) | 2 |
| 2 | 79203000 | Worm Gear (#167738) | 1 | 13 | 79203008 | Oil Seal (#169601) | 1 |
| 3 | 79203001 | Output Cover (#183300) | 1 | 14 | 79203009 | Oil Seal (#183524) | 1 |
| 4 | 955-001-002 | Grease Fitting 1/4-28 | 1 | 15 | 79203015 | Bushing (#183297) | 2 |
| 5 | 79203016 | Plug (#108546) | 5 | 16 | 79203014 | Bolt M10-1.5-16 Gr. 8.8 (#108080) | 4 |
| 6 | 79203017 | Breather (#108535) | 1 | 17 | 79203010 | Worm Key (#168113) | 1 |
| 7 | 79203002 | Input Shaft (#168118) | 1 | 18 | 79203011 | Gear Key (#168114) | 1 |
| 8 | 79203003 | Worm Thread (#167399) | 1 | 19 | 79203012 | Snap Ring (#139346) | 1 |
| 9 | 79203004 | Input Cover (#143878) | 1 | 20 | 79203013 | Bolt M8-1.25-16 Gr. 12.9 (#109686) | 3 |
| 10 | 79203005 | Output Shaft (#183739) | 1 | 21 | 79203024 | Tapered Roller Bearing Cup (#100937) | 4 |
| 11 | 79203006 | Tapered Bearing Cone (#100925) | 2 | | | | |

HINIKER GASOLINE ENGINE SPREADER

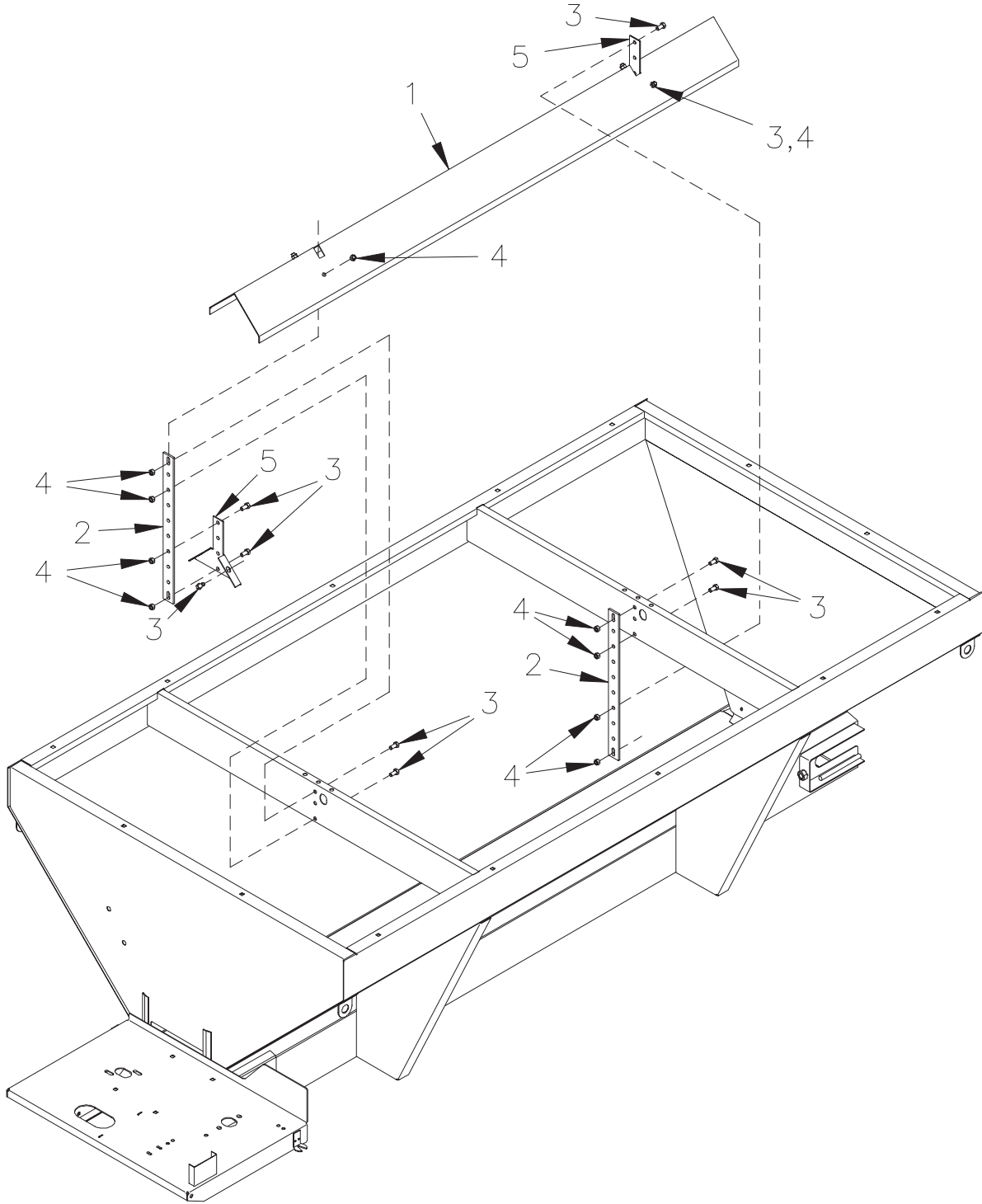
FRONT SHAFT & APRON CHAIN



DWG. NO. 6037

| REF. NO. | PART NUMBER | DESCRIPTION | QTY. | REF. NO. | PART NUMBER | DESCRIPTION | QTY. |
|----------|-------------|---|------|----------|-------------|------------------------------------|------|
| 1 | 000-28670 | Coupler Link Pin | A/R | 5 | 79202398 | Apron Chain Assembly 8' Hopper | 1 |
| 2 | 953-001-016 | Cotter Pin, 1/8 x 1/2 Long | A/R | 5 | 79202399 | Apron Chain Assembly 6 1/2' Hopper | 1 |
| 3 | 000-28666 | Chain Link With Pins (Repair Only) | A/R | 6 | 79202459 | Idler Shaft Weldment | 1 |
| 4 | 79202570 | Slat With Welded Links And Pins (Repair Only) | A/R | | | | |

INVERTED V ASSEMBLY



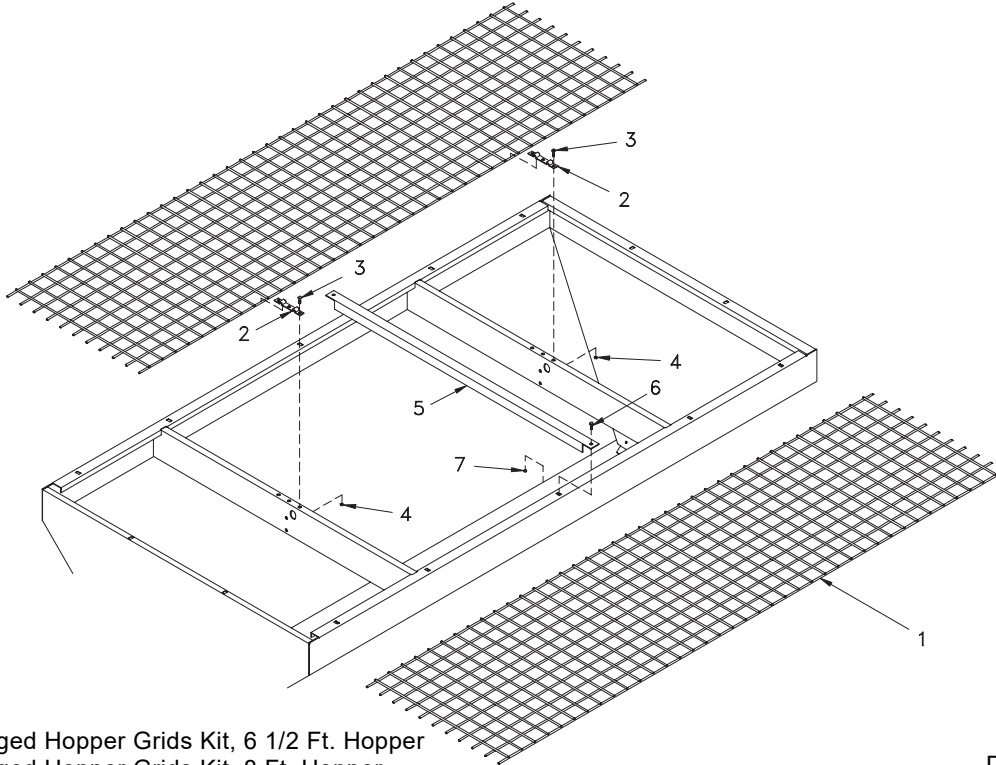
Adjustable Inverted V Kit No. 79202394 6 1/2 FT. Hopper, SS
 Adjustable Inverted V Kit No. 79202395 8 FT. Hopper, SS

DWG. NO. 6305

| REF. NO. | PART NUMBER | DESCRIPTION | QTY. | REF. NO. | PART NUMBER | DESCRIPTION | QTY. |
|----------|-------------|------------------------------|------|----------|-------------|---------------------------------------|------|
| 1 | 79201998 | Inverted V, 8' Hopper | 1 | 3 | 950-001-089 | Hex Head Cap Screw 3/8-16 x 3/4 Gr. 5 | 12 |
| | 79202566 | Inverted V, 8' Hopper SS | 1 | | 031-09103 | Hex Head Cap Screw 3/8-16 x 3/4 SS | 12 |
| | 79202135 | Inverted V, 6 1/2' Hopper | 1 | 4 | 951-005-003 | Lock Nut 3/8-16 Mac Lock | 12 |
| | 79202567 | Inverted V, 6 1/2' Hopper SS | 1 | | 951-002-013 | Flanged Whiz Lock Nut 3/8-16 SS | 12 |
| 2 | 400-15052 | Strap | 2 | 5 | 79202743 | Inverted V Gusset | 2 |
| | 79202565 | Strap SS | 2 | | 79202744 | Inverted V Gusset SS | 2 |

HINIKER GASOLINE ENGINE SPREADER

HINGED HOPPER GRIDS OPTION

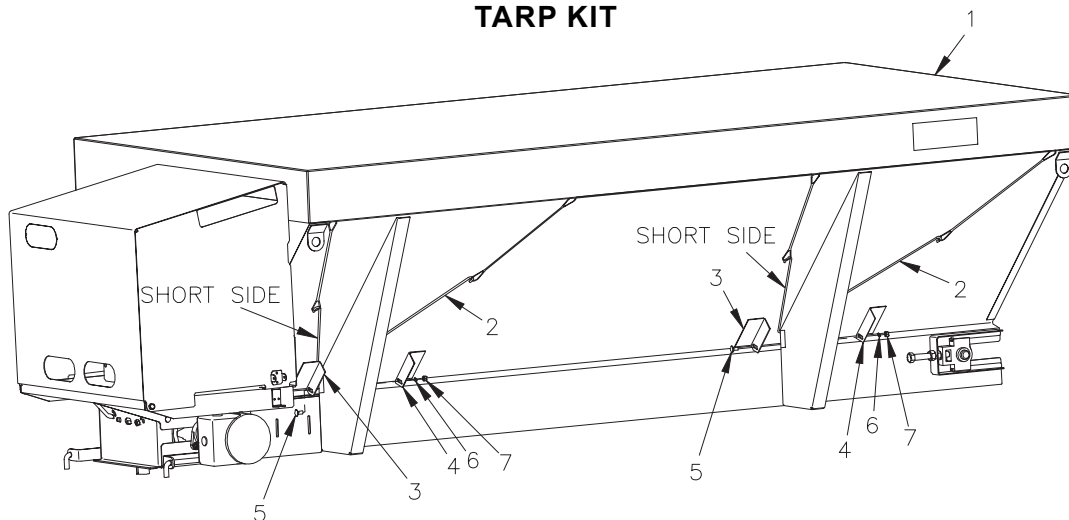


79202391 Hinged Hopper Grids Kit, 6 1/2 Ft. Hopper
79202392 Hinged Hopper Grids Kit, 8 Ft. Hopper

DWG. NO. 6015

| REF. NO. | PART NUMBER | DESCRIPTION | QTY. | REF. NO. | PART NUMBER | DESCRIPTION | QTY. |
|----------|-------------|-------------------------------------|------|----------|-------------|------------------------------------|------|
| 1 | 79202561 | Screen, 8 Ft. Hopper | 2 | 4 | 951-002-011 | Flanged Whiz Lock Nut 5/16-18 SS | 6 |
| | 79202562 | Screen, 6 1/2 Ft. Hopper | 2 | 5 | 79203146 | Middle Grid Support | 1 |
| 2 | 79202009 | Screen Holdown | 2 | 6 | 031-09103 | Hex Head Cap Screw 3/8-16 x 3/4 SS | 2 |
| 3 | 950-001-330 | Hex Head Cap Screw 5/16-18 x 3/4 SS | 6 | 7 | 951-002-013 | Whiz Lock Nut 3/8-16 SS | 2 |

TARP KIT

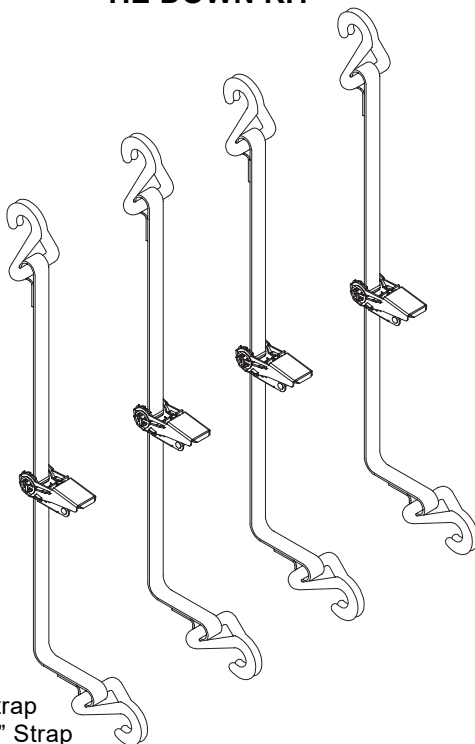


79203036 6 1/2 Ft. Spreader Tarp Assembly
79203037 8 Ft. Spreader Tarp Assembly

DWG. NO. 6460

| REF. NO. | PART NUMBER | DESCRIPTION | QTY. | REF. NO. | PART NUMBER | DESCRIPTION | QTY. |
|----------|-------------|-----------------------------|------|----------|-------------|--------------------------------|------|
| 1 | 79203033 | Tarp Shurco 8' Spreader | 1 | 4 | 79203030 | RH Tarp Bracket | 4 |
| | 79203032 | Tarp Shurco 6 1/2' Spreader | 1 | 5 | 950-003-080 | Carriage Bolt 5/16-18 x 3/4 SS | 4 |
| 2 | 79203031 | Tarp Hook | 4 | 6 | 952-003-012 | SAE Flat Washer 5/16 Inch SS | 4 |
| 3 | 79203029 | LH Tarp Bracket | 4 | 7 | 951-002-011 | Whiz Lock Nut 5/16-18 SS | 4 |

TIE DOWN KIT

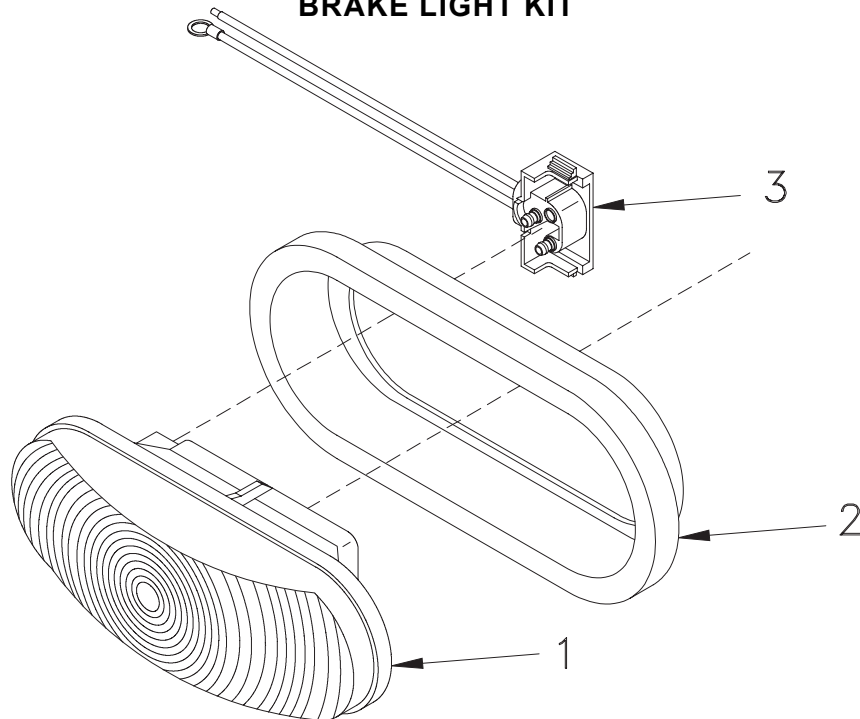


79202393 Truck Hold Down Kit, 1 1/2" Strap
79204260 Heavy Truck Hold Down Kit, 2" Strap

DWG. NO. 6039

| REF. NO. | PART NUMBER | DESCRIPTION | QTY. | REF. NO. | PART NUMBER | DESCRIPTION | QTY. |
|----------|-------------|--------------------------------------|------|----------|-------------|--|------|
| 1 | 79202400 | Ratchet Tiedown 1 1/2" Strap, 11 Ft. | 4 | | 79204301 | Heavy Ratchet Tiedown 2" Strap, 13 Ft. | 4 |

BRAKE LIGHT KIT



79202581 Brake Light Kit

DWG. NO. 3674

| REF. NO. | PART NUMBER | DESCRIPTION | QTY. | REF. NO. | PART NUMBER | DESCRIPTION | QTY. |
|----------|-------------|-------------|------|----------|-------------|---------------------------|------|
| 1 | 79202091 | Lamp | 1 | 3 | 79202093 | Plug | 1 |
| 2 | 79202092 | Grommet | 1 | | 79202089 | Plug Brake Light Assembly | 1 |

