

SECTION 1 SNOW PUSHER

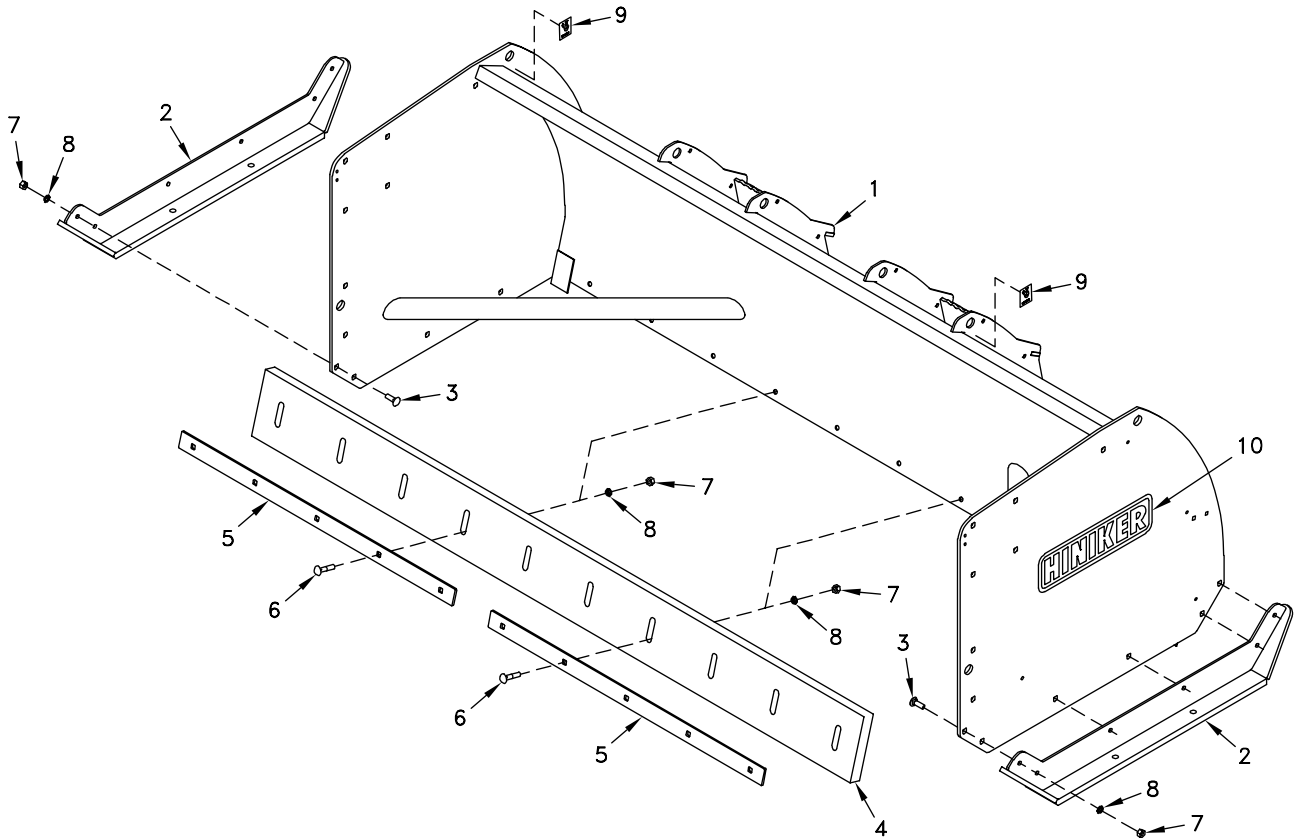
MODELS: 3808, 3810

PAGE 2 PUSHER ASSEMBLIES

PAGE 3 PULLBACK ASSEMBLIES

SKID STEER LOADER SNOW PUSHER

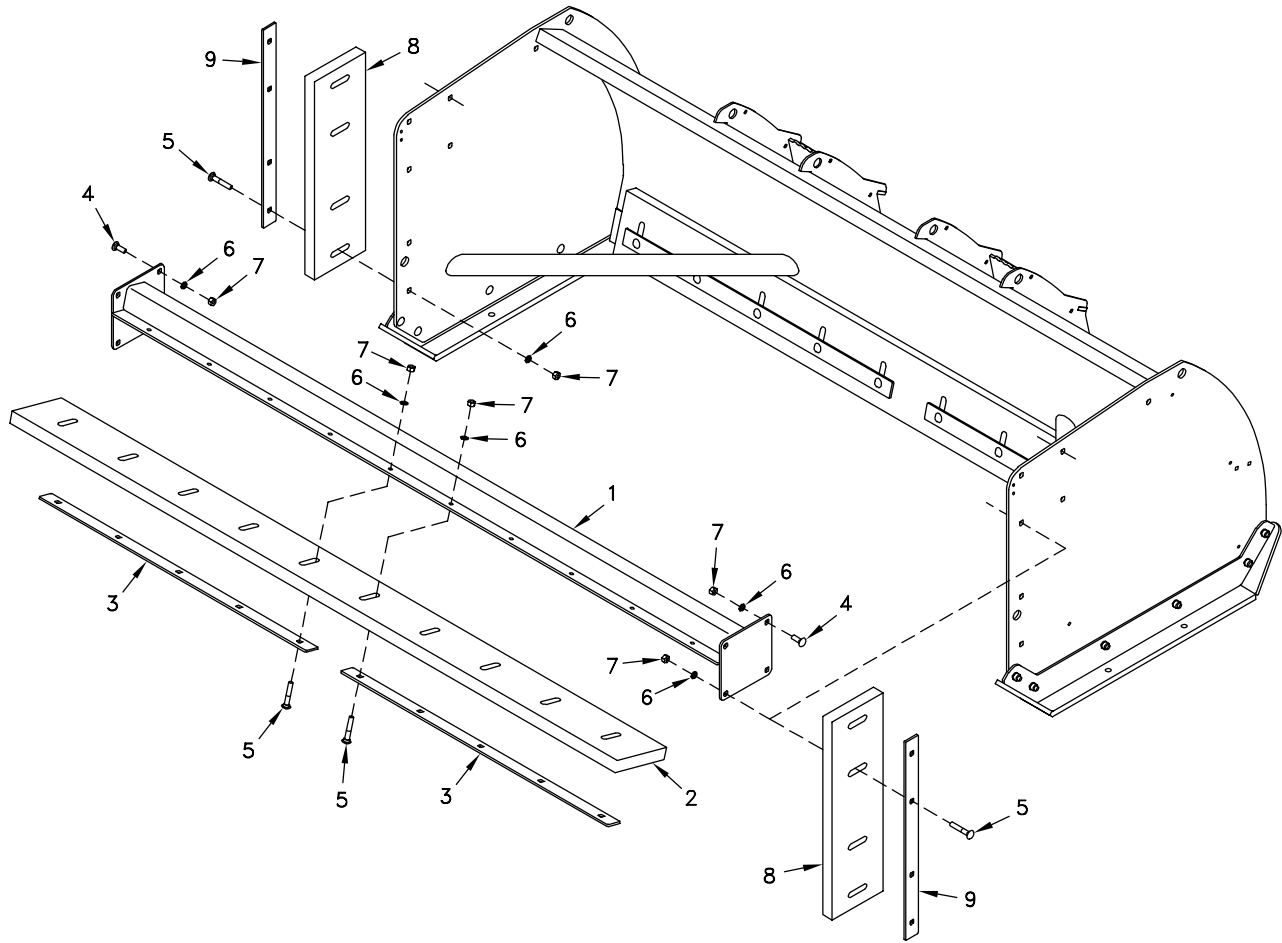
PUSHER ASSEMBLIES



DWG. NO. 7837

REF. NO.	PART NUMBER	DESCRIPTION	QTY.	REF. NO.	PART NUMBER	DESCRIPTION	QTY.
1	27000364	8 Ft Snow Pusher Weldment	1	6	030-16136	Carriage Bolt 1/2-13 x 2 1/2 Gr. 5	A/R
	27000365	10 Ft Snow Pusher Weldment	1	7	951-001-007	Hex Nut 1/2-13	A/R
2	27000035	Wear Shoe Weldment	2	8	952-001-004	Lock Washer 1/2 Inch	A/R
3	030-16132	Carriage Bolt 1/2-13 X 1 1/2 Gr. 5	A/R	9	715-03174	Decal, Lift Here	4
4	27000027	Scraper Blade Rubber 8 Ft	1	10	79202024	Decal, Hiniker	2
	27000028	Scraper Blade Rubber 10 Ft	1				
5	27000029	Bolting Strip 8 Ft Plow	2				
	27000034	Bolting Strip 10 Ft Plow	2				

PULLBACK ASSEMBLIES



DWG. NO. 7838

REF. NO.	PART NUMBER	DESCRIPTION	QTY.	REF. NO.	PART NUMBER	DESCRIPTION	QTY.
1	27000021	Pull Back Scraper Weld 8 Ft	1	4	030-16132	Carriage Bolt 1/2-13 X 1 1/2 Gr. 5	4
	27000024	Pull Back Scraper Weld 10 Ft	1	5	030-16138	Carriage Bolt 1/2-13 X 3 Gr. 5	A/R
2	27000030	Scraper Blade Rubber 8 Ft	1	6	952-001-004	Lock Washer 1/2 Inch	A/R
	27000033	Scraper Blade Rubber 10 Ft	1	7	951-001-007	Hex Nut 1/2-13	A/R
3	27000029	Bolting Strip Scraper Blade 8 Ft	2	8	27000026	Scraper Blade Rubber	2
	27000034	Bolting Strip Scraper Blade 10 Ft	2	9	27000025	Bolting Strip	2

