

SECTION 6

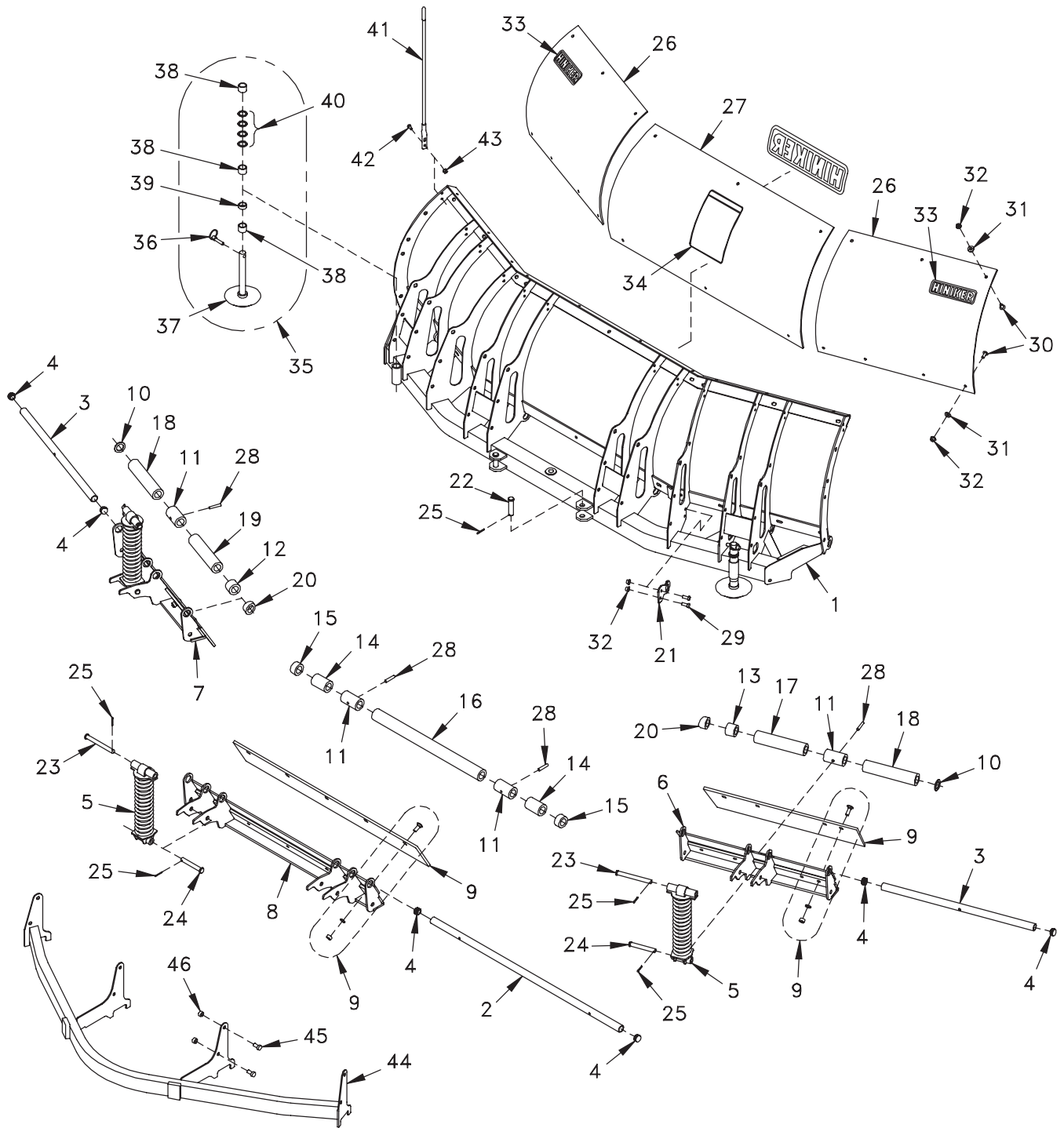
SCOOP PLOWS

MODELS: 680, 690, 2680, 2690

PAGE 2, 3	MOLDBOARD ASSEMBLIES
PAGE 4	FRAME ASSEMBLY
PAGE 5	1 1/2 X 10 HYDRAULIC CYLINDER POLY SNOW DEFLECTOR KITS
PAGE 6	RUBBER CUTTING EDGES STEEL CUTTING EDGE KITS
PAGE 7	WEAR PLATE KIT CURB GUARD KITS
PAGE 8	CROSSOVER RELIEF VALVE

SKID STEER SCOOP SNOWPLOW

MOLDBOARD ASSEMBLIES



SEC
6

25012989 8' Moldboard Assembly
25012991 9' Moldboard Assembly

DWG. NO. 7382

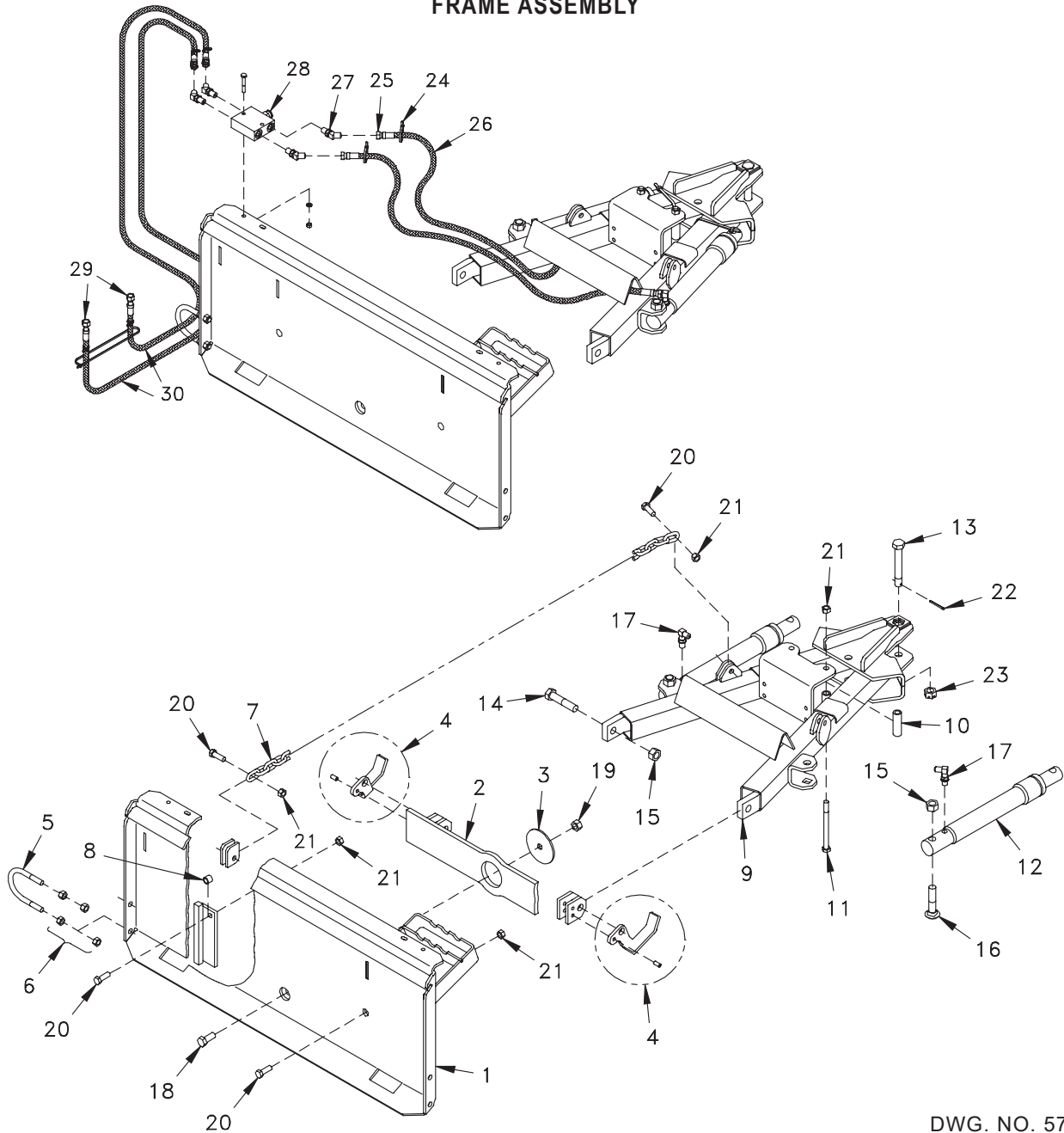
SKID STEER SCOOP SNOWPLOW

REF. NO.	PART NUMBER	DESCRIPTION	QTY.	REF. NO.	PART NUMBER	DESCRIPTION	QTY.
1	25011653	Scoop Frame Weldment-8' Plow (Shown)	1	21	25011562	Middle Shaft Support	1
	25012621	Scoop Frame Weldment-9' Plow	1	22	953-002-032	Clevis Pin 3/4 x 3	2
2	25012617	Middle Trip Pin-8' Plow	1	23	953-002-045	Clevis Pin 5/8 x 6	4
	25012620	Middle Trip Pin-9' Plow	1	24	953-002-044	Clevis Pin 5/8 x 4 3/8	4
3	25012618	End Trip Pin	2	25	035-42033	Cotter Pin 5/32 x 1 1/4	10
4	25012375	End Cap	6	26	25011559	Poly Moldboard Blank-End	2
5	25011373	Spring Assembly	4	27	25012191	Poly Moldboard Blank/Decal Assembly-8' Plow	1
6	25011542	RH Trip Edge Weldment	1		25012192	Poly Moldboard Blank/Decal Assembly-9' Plow	1
7	25011541	LH Trip Edge Weldment	1	28	30009024	Slotted Spring Pin 3/8 x 2	4
8	25011655	Middle Trip Edge Weldment-8' Plow	1	29	950-001-324	Hex Head Cap Screw 3/8-16 x 3/4 Gr. 8	2
	25011531	Middle Trip Edge Weldment-9' Plow	1	30	700-11704	Machine Screw 3/8-16 x 1" Slotted Truss Head	A/R
9	25013302	Cutting Edge Kit 8' Plow 1/2" Thk (See Sec.6 P.6)	1	31	952-002-013	Flat Washer 3/8 Inch, Stainless Steel	A/R
	25013303	Cutting Edge Kit 9' Plow 1/2" Thk (See Sec.6 P.6)	1	32	951-005-003	Lock Nut 3/8-16 Mac Lock-8' Plow	A/R
	25011776	Rubber Cutting Edge Kit 8' Plow (See Sec.6 P.6)	1	33	25011684	Hiniker Decal	2
	25011782	Rubber Cutting Edge Kit 9' Plow (See Sec.6 P.6)	1	34	25013502	Snowplow Removal Decal	1
10	952-004-076	Machinery Bushing 1 1/4 x 1 7/8 x 10 Ga.	2	35	25011487	Cast Iron Skid Assembly	2
11	25011341	Bushing, 3 3/8" Lg Steel	4	36	25010319	Klik Pin	2
12	25011719	Bushing, 1 1/2" Lg Poly	1	37	25011478	Cast Iron Skid Shoe	2
13	25011570	Bushing, 1 11/16" Lg Poly	1	38	25010049	1" Skid Spacer	6
14	25011634	Bushing, 3" Lg Poly-8' Plow	2	39	25010048	1/2" Skid Spacer	2
	25011566	Bushing, 8 11/16" Lg Poly-9 Plow	2	40	952-004-071	Machinery Bushing 1 5/32 x 1 1/2 x 10 Ga.	8
15	25011568	Bushing, 1" Lg Poly	2	41	25010118	Blade Guide Red	2
16	25011567	Bushing, 24 5/16" Lg Poly	1	42	950-001-113	Hex Head Cap Screw 5/16-18 x 3/4 Gr. 5	4
17	25011566	Bushing, 8 11/16" Lg Poly	1	43	951-005-036	Lock Nut 5/16-18 Mac Lock	4
18	25011565	Bushing, 9 5/16" Lg Poly	2	44	25011656	Quadrant Weldment - 8' Plow (Shown)	1
19	25011564	Bushing, 8 7/8" Lg Poly	1		25012624	Quadrant Weldment - 9' Plow	1
20	25011563	Angled Bushing, 1 1/8" Lg Poly	2	45	950-001-231	Hex Head Cap Screw 1/2-13 x 1 Gr. 5	A/R
				46	10304	Lock Nut 1/2-13 2-Way	A/R

SEC 6

SKID STEER SCOOP SNOWPLOW

FRAME ASSEMBLY



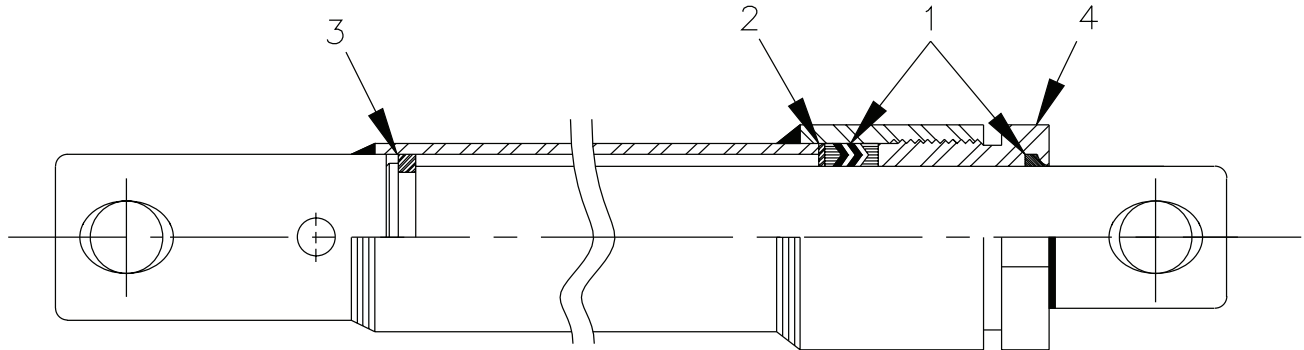
DWG. NO. 5772D

SEC 6

REF. NO.	PART NUMBER	DESCRIPTION	QTY.	REF. NO.	PART NUMBER	DESCRIPTION	QTY.
1	25012719	Mount Plate Weldment	1	16	030-16198	Carriage Bolt 3/4-10 x 3 1/2 Gr. 5	2
2	25011255	Bar Weldment	1	17	956-005-032	90° Restricted Adapter Fitting 9/16 ORB x 9/16 JIC	2
3	25011254	Washer	1	18	950-001-087	Hex Head Cap Screw 5/8-11 x 1 1/2 Gr. 5	1
4	25013590	Park Stand Feet Kit	1	19	951-005-044	Lock Nut 5/8-11, 2-Way	1
5	25013162	U-Bolt 1/2-13	1	20	950-001-125	Hex Head Cap Screw 1/2-13 x 1 1/2 Gr. 5	6
6	951-001-007	Hex Nut 1/2-13	4	21	10304	Lock Nut 1/2-13, 2-Way	8
7	25011251	Chain	2	22	953-001-008	Cotter Pin 3/16 x 1 3/4	1
8	25011250	Spacer	2	23	034-00136	Slotted Hex Nut 3/4-10	1
9	25011723	Push Frame Weldment	1	24	367-001-014	Cable Tie, Black 8 Inch	6
10	25011477	Bushing	2	25	957-010-007	Hydraulic Hose Assembly 1/4 x 40	2
11	031-06219	Hex Head Cap Screw 1/2-13 x 6 Gr. 5	2	26	25011130	Nylon Sleeve 40" Long	2
12	25010523	1 1/2" x 10" Cylinder, (See Sec. 6 Page 5)	2	27	956-005-023	45° Adapter 9/16 ORB	4
13	25012614	Drilled Bolt 3/4-10 x 5 Gr. 5	1	28	25012834	Crossover Relief Assembly (See Sec. 6, Page 8)	1
14	950-001-031	Hex Head Cap Screw 3/4-10 x 3 Gr. 5	2	29	957-001-017	Hydraulic Hose Assembly 3/8 x 72"	2
15	951-005-037	Lock Nut 3/4-10, 2-Way	4	30	25011131	Nylon Sleeve 72" Long	2

SKID STEER SCOOP SNOWPLOW

1 1/2 X 10 HYDRAULIC CYLINDER

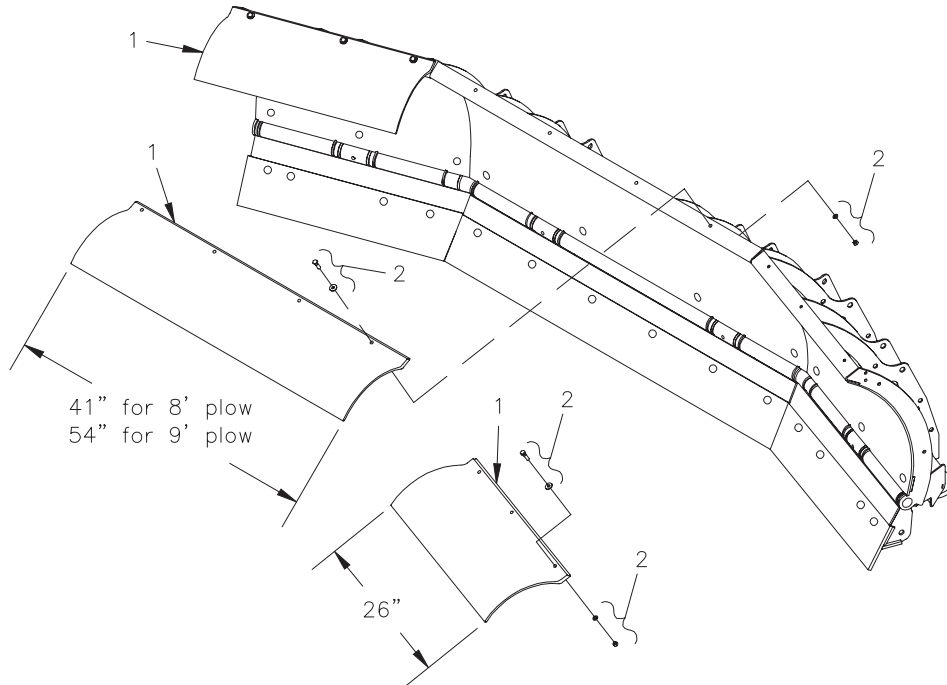


25010523 1 1/2 x 10 Hydraulic Cylinder

DWG. NO. 5185

REF. NO.	PART NUMBER	DESCRIPTION	QTY.	REF. NO.	PART NUMBER	DESCRIPTION	QTY.
1	25010464	Seal Kit	1	3	25010017	Guide Ring	1
2	25010016	Seat Ring	1	4	25010018	Packing Ring	1

POLY SNOW DEFLECTOR KITS



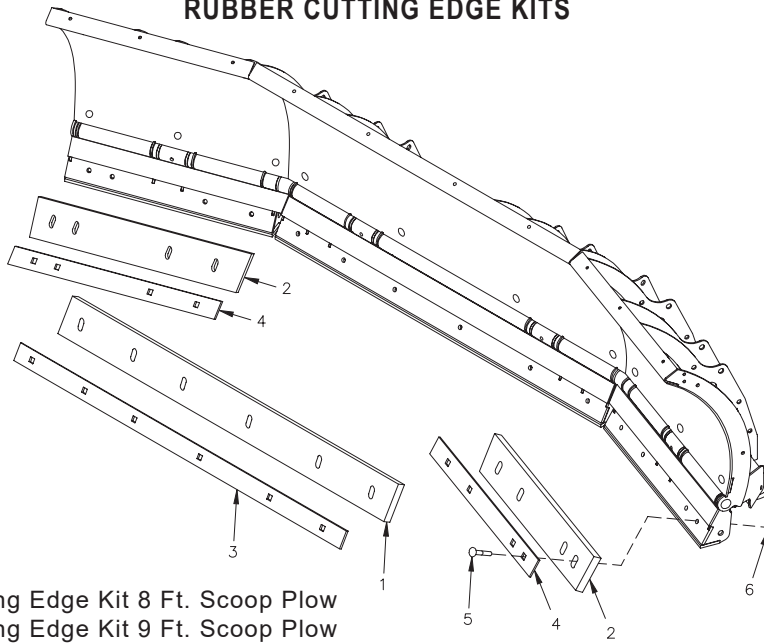
DWG. NO. 5681

REF. NO.	PART NUMBER	DESCRIPTION	QTY.	REF. NO.	PART NUMBER	DESCRIPTION	QTY.
1	25011789	Poly Snow Deflector Kit 8' Plow	1	2	25011793	Bolt Box, Snow Deflector (Included With Kit)	1
	25011983	Poly Snow Deflector Kit 9' Plow	1				

S
C
6

SKID STEER SCOOP SNOWPLOW

RUBBER CUTTING EDGE KITS



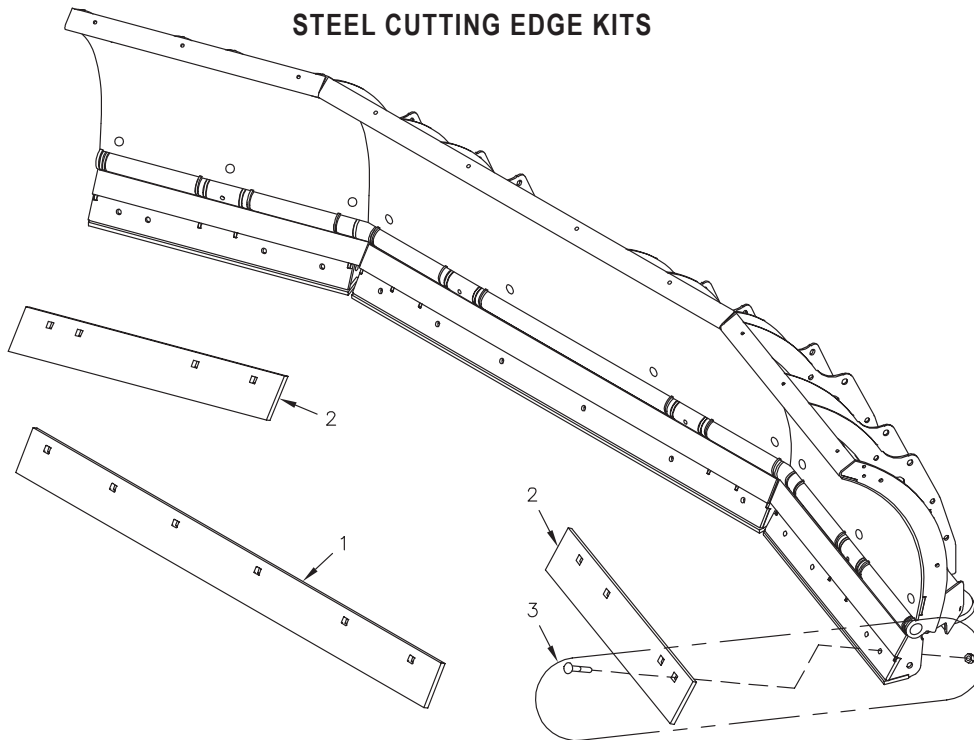
25011776 Rubber Cutting Edge Kit 8 Ft. Scoop Plow
 25011782 Rubber Cutting Edge Kit 9 Ft. Scoop Plow

DWG. NO. 5736

REF. NO.	PART NUMBER	DESCRIPTION	QTY.	REF. NO.	PART NUMBER	DESCRIPTION	QTY.
1	25011783	Rubber Cutting Edge 9 Ft. Middle	1	4	25011781	Strap Scoop End	2
	25011777	Rubber Cutting Edge 8 Ft. Middle	1	5	030-16136	Carriage Bolt 1/2-13 x 2 1/2 Gr. 5	A/R
2	25011778	Rubber Cutting Edge Scoop End	2	6	951-003-009	Hex Nut 1/2-13 Nylon Insert	A/R
3	25011785	Strap 9 Ft. Scoop Middle	1				
	25011780	Strap 8 Ft. Scoop Middle	1				

SEC 6

STEEL CUTTING EDGE KITS



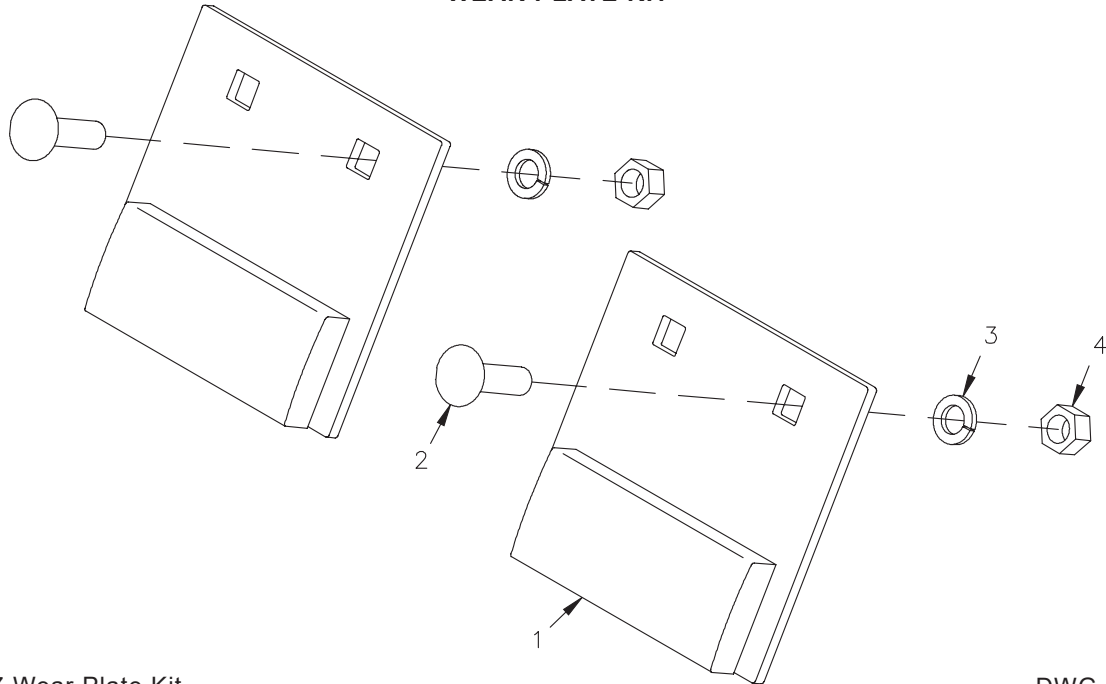
25013302 Cutting Edge Kit 8' Plow 1/2" Thk
 25013303 Cutting Edge Kit 9' Plow 1/2" Thk

DWG. NO. 5882B

REF. NO.	PART NUMBER	DESCRIPTION	QTY.	REF. NO.	PART NUMBER	DESCRIPTION	QTY.
1	25012028	Middle Cutting Edge 8' Plow 1/2" Thk	1	2	25012030	End Cutting Edge 1/2" Thk	2
	25012032	Middle Cutting Edge 9' Plow 1/2" Thk	1	3	25011578	Cutting Edge Bolt Kit	1

SKID STEER SCOOP SNOWPLOW

WEAR PLATE KIT

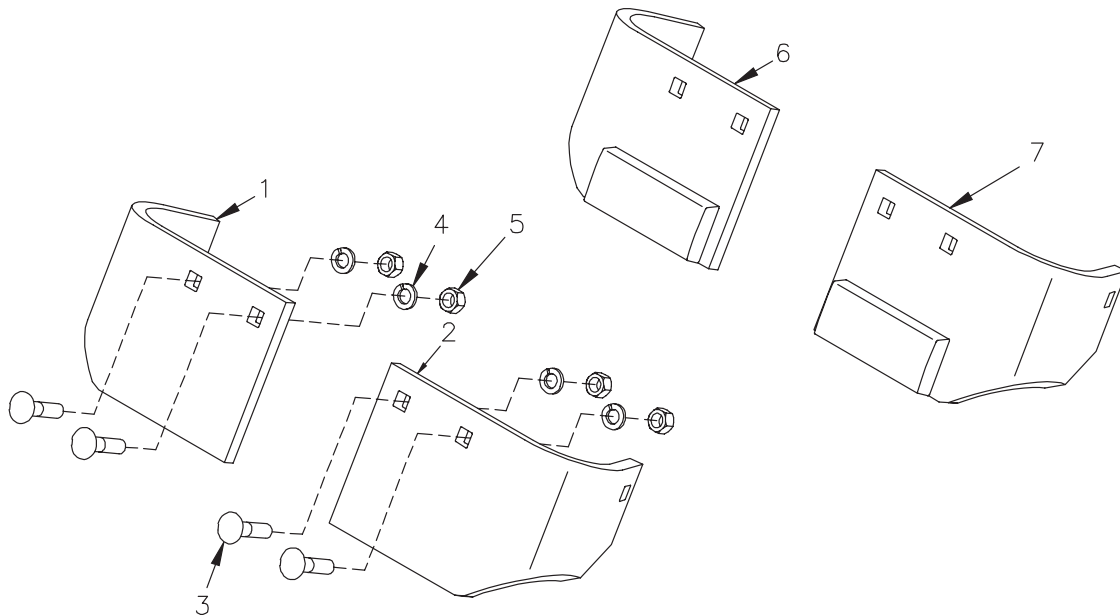


25012587 Wear Plate Kit

DWG. NO. 6331

REF. NO.	PART NUMBER	DESCRIPTION	QTY.	REF. NO.	PART NUMBER	DESCRIPTION	QTY.
1	25012588	Wear Plate Weldment	2	3	952-001-004	Lock Washer 1/2 Inch	4
2	950-003-058	Carriage Bolt 1/2-13 x 1 3/4 Gr. 5	4	4	951-001-007	Hex Nut 1/2-13	4

CURB GUARD KITS



25011695 Curb Guard Kit - Standard
25012726 Curb Guard Kit With Wear Bars

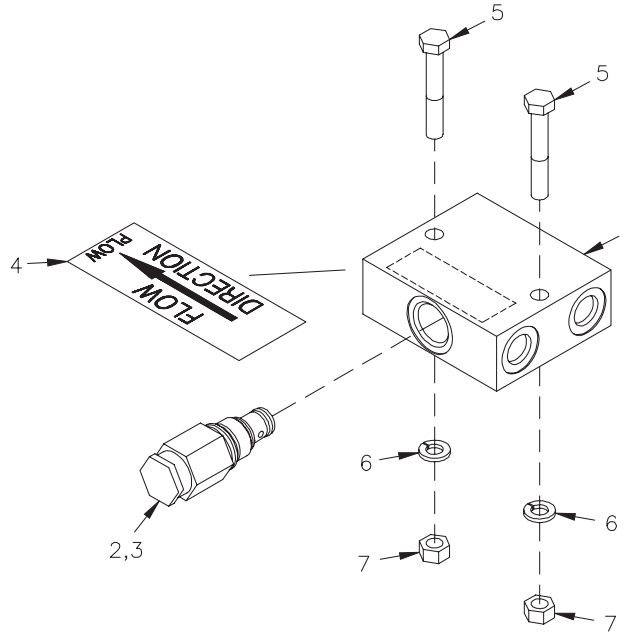
DWG. NO. 5486

REF. NO.	PART NUMBER	DESCRIPTION	QTY.	REF. NO.	PART NUMBER	DESCRIPTION	QTY.
1	25011712	RH Curb Guard - Standard	1	5	951-001-007	Hex Nut 1/2-13	4
2	25011713	LH Curb Guard - Standard	1	6	25012722	RH Curb Guard With Wear Bar	1
3	950-003-051	Carriage Bolt 1/2-13 x 2 1/4 Gr. 5	4	7	25012723	LH Curb Guard With Wear Bar	1
4	952-001-004	Lock Washer 1/2 Inch	4				

SECTION 6

SKID STEER SCOOP SNOWPLOW

CROSSOVER RELIEF VALVE



DWG. NO. 7156

REF. NO.	PART NUMBER	DESCRIPTION	QTY.	REF. NO.	PART NUMBER	DESCRIPTION	QTY.
1	25012834	Crossover Relief Valve Manifold Assembly	1	5	031-06059	Hex Head Cap Screw 5/16-18 x 2 Gr. 5	2
2	25010985	Crossover Relief Valve Cartridge	1	6	952-001-002	Lock Washer, 5/16 Inch	2
3	25010992	O-Ring Kit	1	7	951-001-004	Hex Nut 5/16-18	2
4	25012535	Label-Flow Direction	1				