

SECTION 4

C-PLOWS

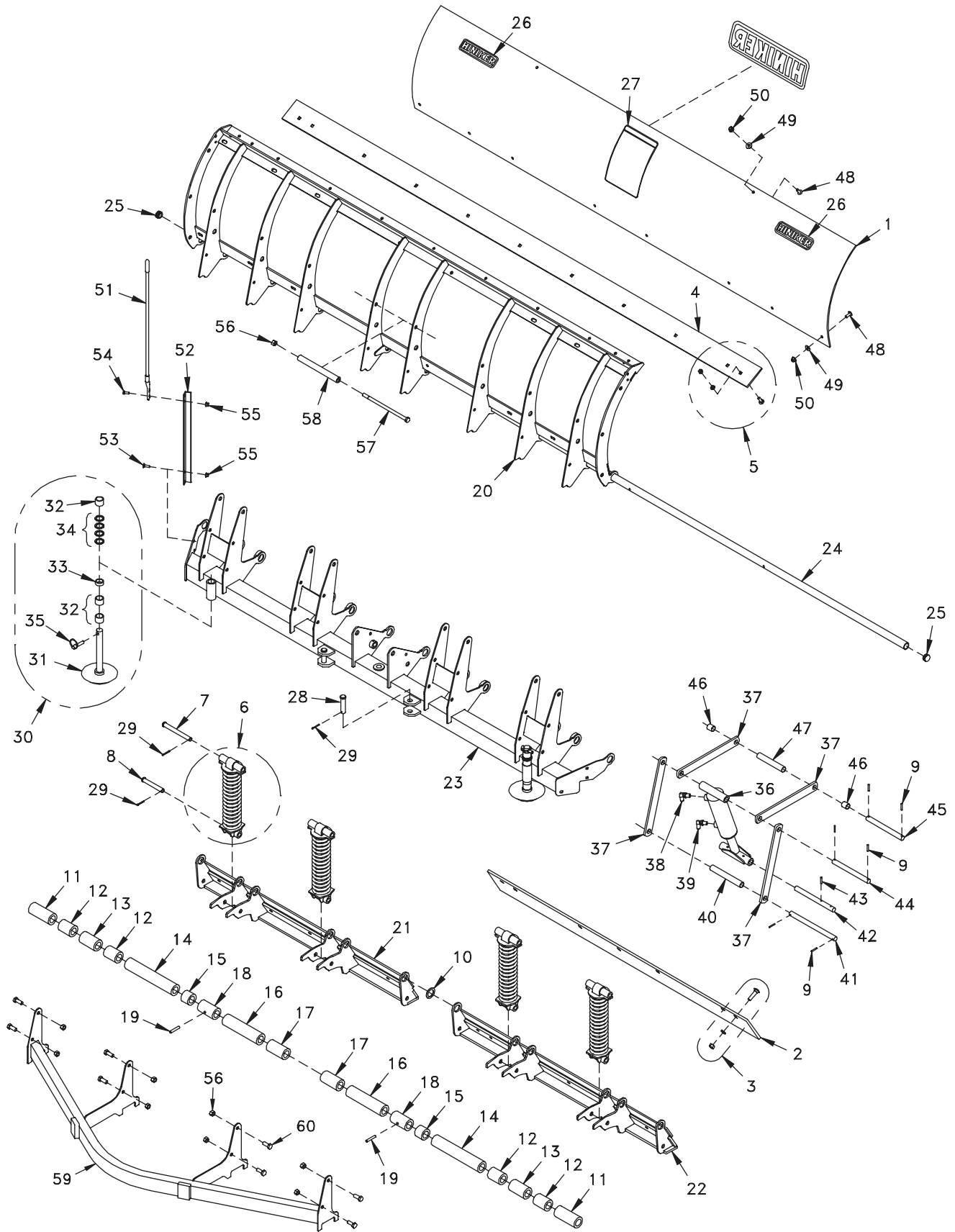
MODELS: 881, 2881, 891, 2891

PAGE 2, 3	MOLDBOARD ASSEMBLIES MODELS: 881, 2881, 891, 2891
PAGE 4	FRAME ASSEMBLY MODELS: 881, 2881, 891, 2891
PAGE 5	HYDRAULIC OVERVIEW
PAGE 6	VALVE MANIFOLD WITH CROSSOVER RELIEF - CURRENT VALVE MANIFOLD - WITHOUT CROSSOVER RELIEF
PAGE 7	1 1/2 X 10 HYDRAULIC CYLINDER 2 1/2 X 6 HYDRAULIC CYLINDER
PAGE 8	ELECTRICAL WIRING WING KIT
PAGE 9	RUBBER CUTTING EDGES 1/2" THICK CUTTING EDGES
PAGE 10	WEAR PLATE KIT CURB GUARD KITS

SKID STEER C-PLOW SNOWPLOW

MOLDBOARD ASSEMBLIES MODELS: 881, 2881, 891, 2891

SEC
4



25012968 8' Moldboard Assembly
25012977 9' Moldboard Assembly

DWG. NO. 5454D

SKID STEER C-PLOW SNOWPLOW

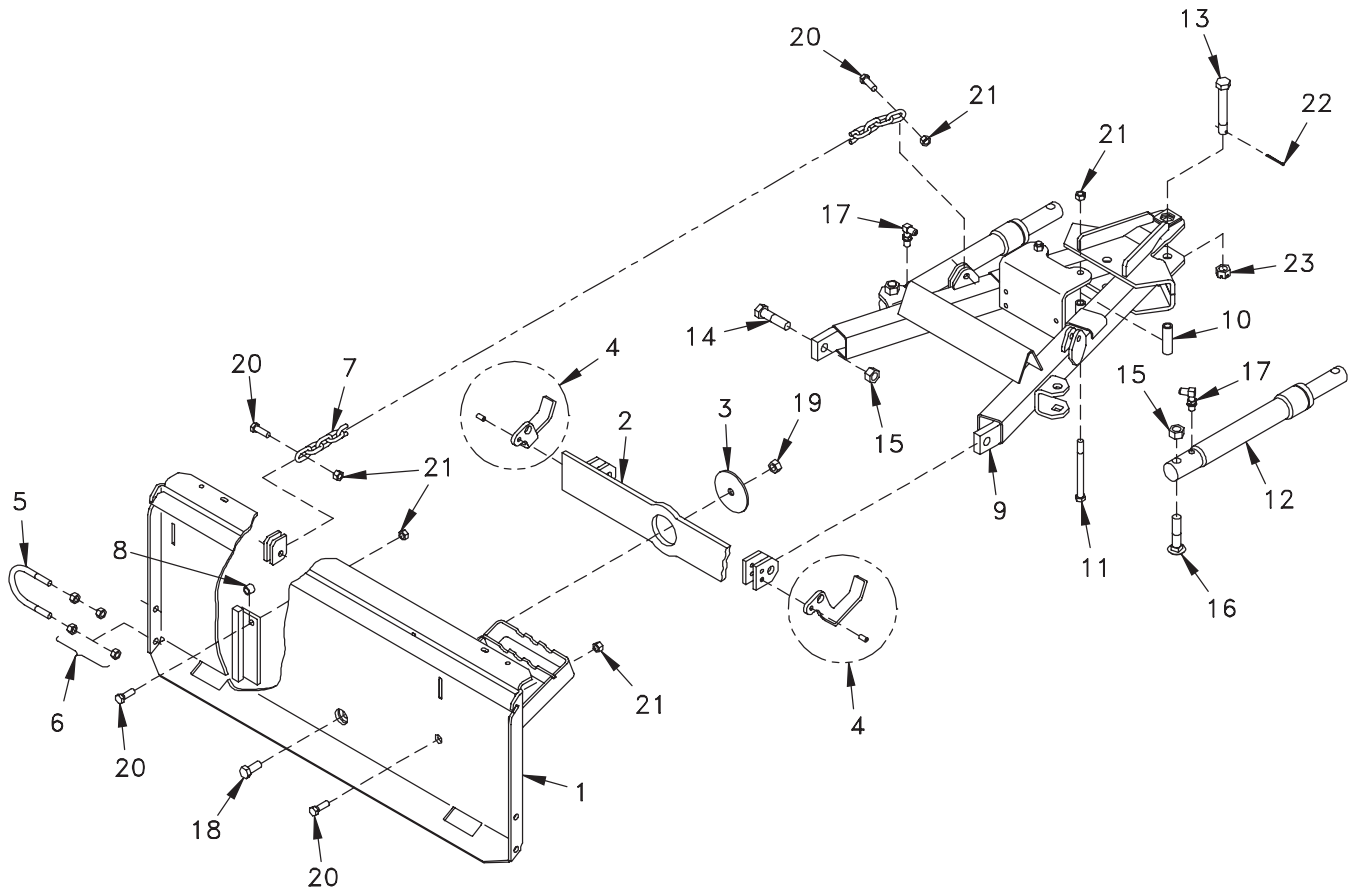
REF. NO.	PART NUMBER	DESCRIPTION	QTY.	REF. NO.	PART NUMBER	DESCRIPTION	QTY.
1	25012196	8 Ft Poly Moldboard/Logo Decal Assembly	1	27	25013502	Snowplow Removal Decal	1
	25012195	9 Ft Poly Moldboard/Logo Decal Assembly	1	28	953-002-032	Clevis Pin 3/4 x 3	2
2	25011326	48" Cutting Edge For 8' Plow	2	29	035-42033	Cotter Pin 5/32 x 1 1/4	10
	25011328	54" Cutting Edge For 9' Plow	2	30	25011487	Cast Iron Skid Assembly	2
3	25011578	Bolt Kit, Lower Cutting Edge	1	31	25011478	Cast Iron Skid	2
4	25011437	Upper Cutting Edge 8 Ft. Plow	1	32	25010049	1" Skid Spacer	6
	25011436	Upper Cutting Edge 9 Ft. Plow	1	33	25010048	1/2" Skid Spacer	2
5	25011579	Bolt Kit, Upper Cutting Edge	1	34	952-004-071	Machine Bushing 1 5/32 x 1 1/2 x 10 Ga.	8
6	25011373	Spring Assembly	4	35	25010319	Klik Pin	2
7	953-002-045	Clevis Pin 5/8 x 6	4	36	25011400	2 1/2 x 6 Cylinder Weldment (See Sec. 4, Pg. 7)	1
8	953-002-044	Clevis Pin 5/8 x 4 3/8	4	37	25011447	Link	4
9	953-003-027	Slotted Spring Pin 3/16 x 1 1/4	6	38	956-005-025	90° Restricted Adapter Fitting 9/16 ORB x 9/16 JIC	1
10	952-004-058	Machine Bushing 1 9/32 x 1 7/8 x 14 Ga.	1	39	956-005-022	90° Adapter 9/16 ORB x 9/16 JIC	1
11	25011621	Bushing 4 19/32" Long Poly	2	40	25011449	Spacer, 6 15/16" Long	1
	25011620	Bushing 10 19/32" Long Poly	2	41	25011451	Pin, 9 9/16" Long	1
12	25011617	Bushing 2 19/32" Long Poly	4	42	25011452	Pin, 8 3/8" Long	1
13	25011338	Bushing 3 3/8" Long Poly	2	43	953-003-018	Slotted Spring Pin 1/4 x 1 1/4	1
14	25011618	Bushing 10 3/4" Long Poly	2	44	25011446	Pin, 8 3/16" Long	1
15	25011576	Bushing 1 9/16" Long Poly	2	45	25011445	Pin, 10 3/16" Long	1
16	25011619	Bushing 7 15/16" Long Poly	2	46	25011448	Spacer, 1" Long	2
17	25011622	Bushing 3 21/32" Long Poly	2	47	25011450	Spacer, 5 3/4" Long	1
18	25011341	Bushing 3 3/8" Long Steel	2	48	700-11704	Machine Screw 3/8-16 x 1 Slotted Truss Head	10
19	30009024	Slotted Spring Pin 3/8 x 2	2	49	952-002-013	Flat Washer, 3/8 Inch, Stainless Steel	10
20	25011611	Rib Weldment 8 Ft. Plow (Models 8802/8801 Only)	1	50	951-005-003	Lock Nut 3/8-16 Mac Lock	10
	25011612	Rib Weldment 9 Ft. Plow (Models 8902/8901 Only)	1	51	25010118	Red Blade Guide	2
21	25011597	LH Trip Edge Weld 8 Ft. Plow (Models 8802/8801 Only)	1	52	25011623	Marker Extension	2
	25011596	LH Trip Edge Weld 9 Ft. Plow (Models 8902/8901 Only)	1	53	030-16041	Carriage Bolt 5/16-18 x 3/4 Gr. 5	4
22	25011598	RH Trip Edge Weld 8 Ft. Plow (Models 8802/8801 Only)	1	54	950-001-113	Hex Head Cap Screw 5/16-18 x 3/4 Gr. 5	4
	25011595	RH Trip Edge Weld 9 Ft. Plow (Models 8902/8901 Only)	1	55	951-005-036	Lock Nut 5/16 Mac Lock	8
23	25011610	Bottom Frame Weld 8 Ft. Plow (Models 8802/8801 Only)	1	56	10304	Lock Nut 1/2-13 2-Way	9
	25011609	Bottom Frame Weld 9 Ft. Plow (Models 8902/8901 Only)	1	57	950-001-274	Hex Head Cap Screw 1/2-13 x 10 Gr. 5	1
24	25012625	Trip Pin-8 Ft. Plow	1	58	25012717	Pipe	1
	25012629	Trip Pin-9 Ft. Plow	1	59	25011613	Quadrant Weldment	1
25	25012375	End Cap	2	60	950-001-111	Hex Head Cap Screw 1/2-13 x 1 1/4 Gr. 5	8
26	25011684	Hiniker Decal	2				

SEC 4

SKID STEER C-PLOW SNOWPLOW

FRAME ASSEMBLY MODELS: 881, 2881, 891, 2891

SEC
4

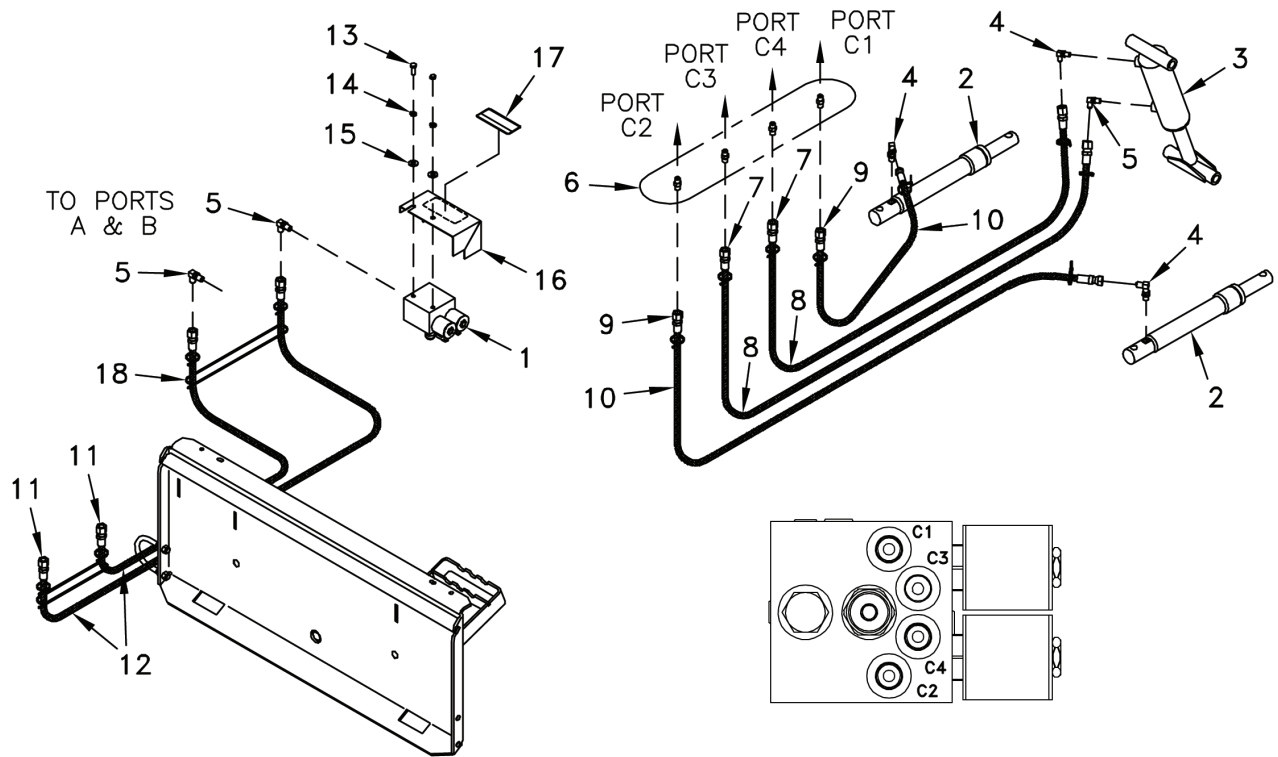


DWG. NO. 5478B

REF. NO.	PART NUMBER	DESCRIPTION	QTY.	REF. NO.	PART NUMBER	DESCRIPTION	QTY.
1	25012719	Mount Plate Weldment	1	13	25012614	Drilled Bolt 3/4-10 x 5 Gr. 5	1
2	25011255	Bar Weldment	1	14	950-001-031	Hex Head Cap Screw 3/4-10 x 3 Gr. 5	2
3	25011254	Washer	1	15	951-005-037	Lock Nut 3/4-10, 2-Way	4
4	25013590	Park Stand Feet Kit	1	16	030-16198	Carriage Bolt 3/4-10 x 3 1/2 Gr. 5	2
5	25013162	U-Bolt 1/2-13	1	17	956-005-032	90° Restricted Adapter Fitting 9/16 ORB x 9/16 JIC	2
6	951-001-007	Hex Nut 1/2-13	4	18	950-001-087	Hex Head Cap Screw 5/8-11 x 1 1/2 Gr. 5	1
7	25011251	Chain	2	19	951-005-044	Lock Nut 5/8-11, 2-Way	1
8	25011250	Spacer	2	20	950-001-125	Hex Head Cap Screw 1/2-13 x 1 1/2 Gr. 5	6
9	25011723	Push Frame Weldment	1	21	10304	Lock Nut 1/2-13, 2-Way	8
10	25011477	Bushing	2	22	953-001-008	Cotter Pin 3/16 x 1 3/4	1
11	031-06219	Hex Head Cap Screw 1/2 -13 x 6 Gr. 5	2	23	034-00136	Slotted Hex Nut 3/4-10	1
12	25010523	1 1/2" x 10" Cylinder, (See Sec. 4, Page 7)	2				

SKID STEER C-PLOW SNOWPLOW

HYDRAULIC OVERVIEW

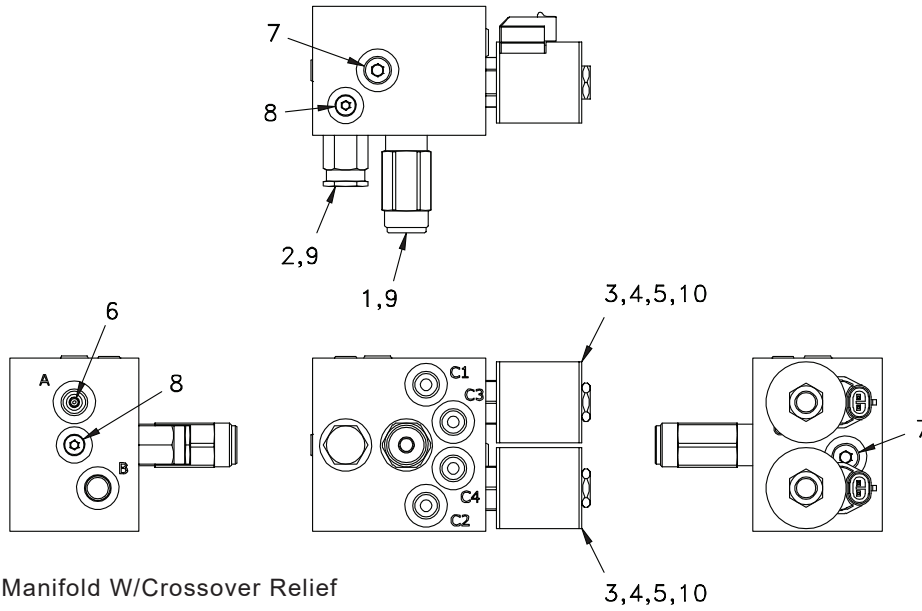


DWG. NO. 5487B

REF. NO.	PART NUMBER	DESCRIPTION	QTY.	REF. NO.	PART NUMBER	DESCRIPTION	QTY.
1	25013053	Valve Manifold Assembly (See Sec. 4, Page 6)	1	10	25011130	Nylon Sleeve 40" Long	2
2	25010523	1 1/2" x 10" Cylinder, (See Sec. 4, Page 7)	2	11	957-001-017	Hose Assembly 3/8 x 72"	2
3	25011400	2 1/2" x 6" Cylinder Weldment (See Sec. 4, Page 7)	1	12	25011131	Nylon Sleeve 72" Long	2
4	956-005-032	90° Restricted Adapter Fitting 9/16 ORB x 9/16 JIC	3	13	950-001-105	Hex Head Cap Screw 3/8-16 x 1 Gr. 5	2
5	956-005-022	90° Adapter 9/16 ORB x 9/16 JIC	3	14	952-001-007	Lock Washer 3/8 Inch	2
6	206-01024	Straight Adapter 9/16 ORB x 9/16 JIC	4	15	952-002-003	Flat Washer 3/8 Inch	2
7	957-010-006	Hose Assembly 1/4 x 66"	2	16	25013054	Valve Manifold Cover	1
8	25011129	Nylon Sleeve 66" Long	2	17	715-04016	Decal - No Step	1
9	957-010-007	Hose Assembly 1/4 x 40"	2	18	367-001-014	Cable Tie, 8 Inch	25

SKID STEER C-PLOW SNOWPLOW

VALVE MANIFOLD WITH CROSSOVER RELIEF - CURRENT



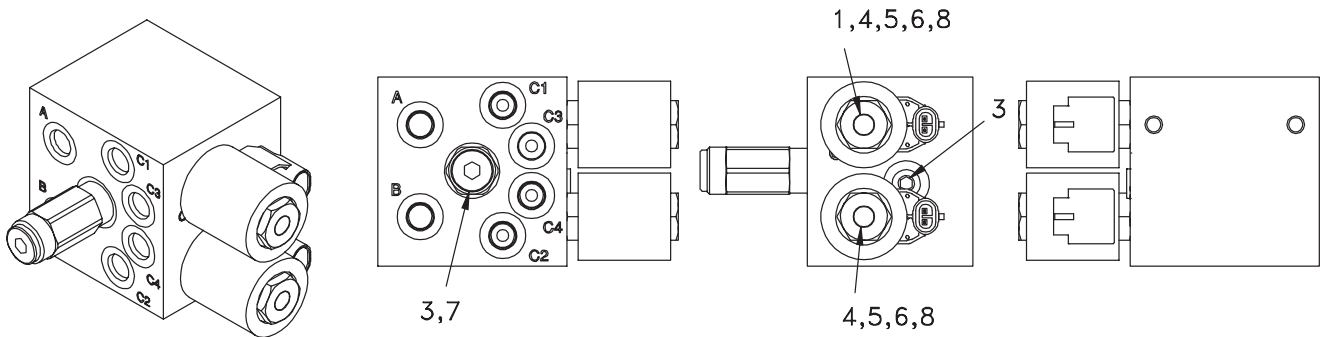
25013053 Valve Manifold W/Crossover Relief

DWG. NO. 6755

SEC 4

REF. NO.	PART NUMBER	DESCRIPTION	QTY.	REF. NO.	PART NUMBER	DESCRIPTION	QTY.
1	25011110	Relief Valve	1	6	25013057	Orifice .060 Diameter 3/8-16	1
2	25010985	Crossover Relief Valve	1	7	25011111	SAE Plug #6	2
3	25011109	Solenoid Valve	2	8	25013058	SAE Plug #4	2
4	25011108	10 Size E-Coil 12 VDC	2	9	25010992	Relief Valve Seal Kit	2
5	25011107	E-Coil Nut	2	10	25011114	Solenoid Valve Seal Kit	1

VALVE MANIFOLD - WITHOUT CROSSOVER RELIEF

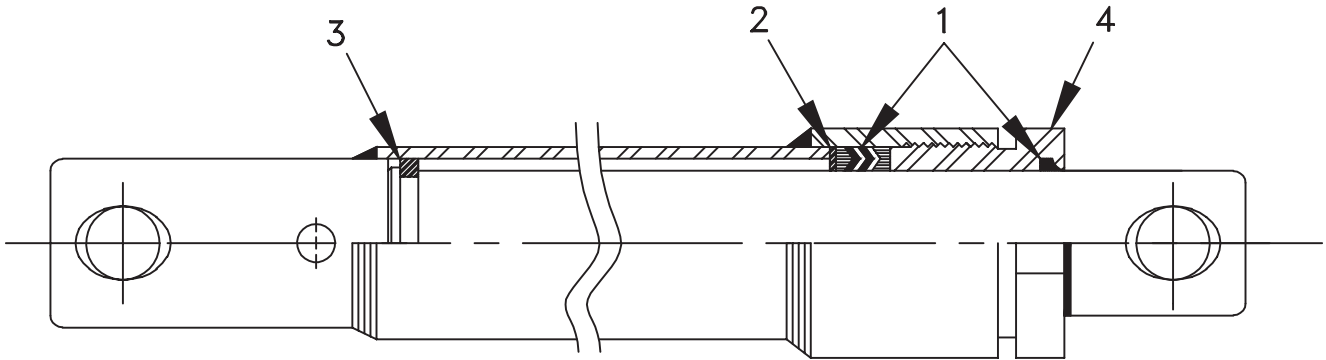


DWG. NO. 4258A

REF. NO.	PART NUMBER	DESCRIPTION	QTY.	REF. NO.	PART NUMBER	DESCRIPTION	QTY.
1	25011106	Orifice Disc	1	5	25011108	10 Size E-Coil 12 VDC	2
2	25011111	SAE Plug	1	6	25011107	E-Coil Nut	2
3	25011110	Relief Valve	1	7	25010992	Relief Valve Seal Kit	1
4	25011109	Solenoid Valve	2	8	25011114	Solenoid Valve Seal Kit	1

SKID STEER C-PLOW SNOWPLOW

1 1/2 X 10 HYDRAULIC CYLINDER



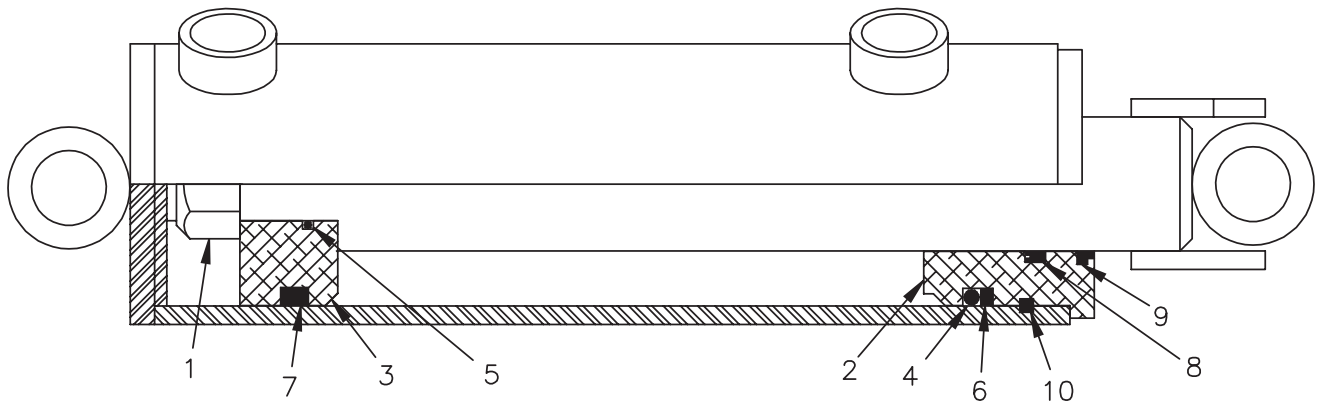
SEC 4

25010523 1 1/2 x 10 Hydraulic Cylinder

DWG. NO. 3941

REF. NO.	PART NUMBER	DESCRIPTION	QTY.	REF. NO.	PART NUMBER	DESCRIPTION	QTY.
1	25010464	Seal Kit	1	3	25010017	Guide Ring	1
2	25010016	Seat Ring	1	4	25010018	Packing Nut	1

2 1/2 X 6 HYDRAULIC CYLINDER



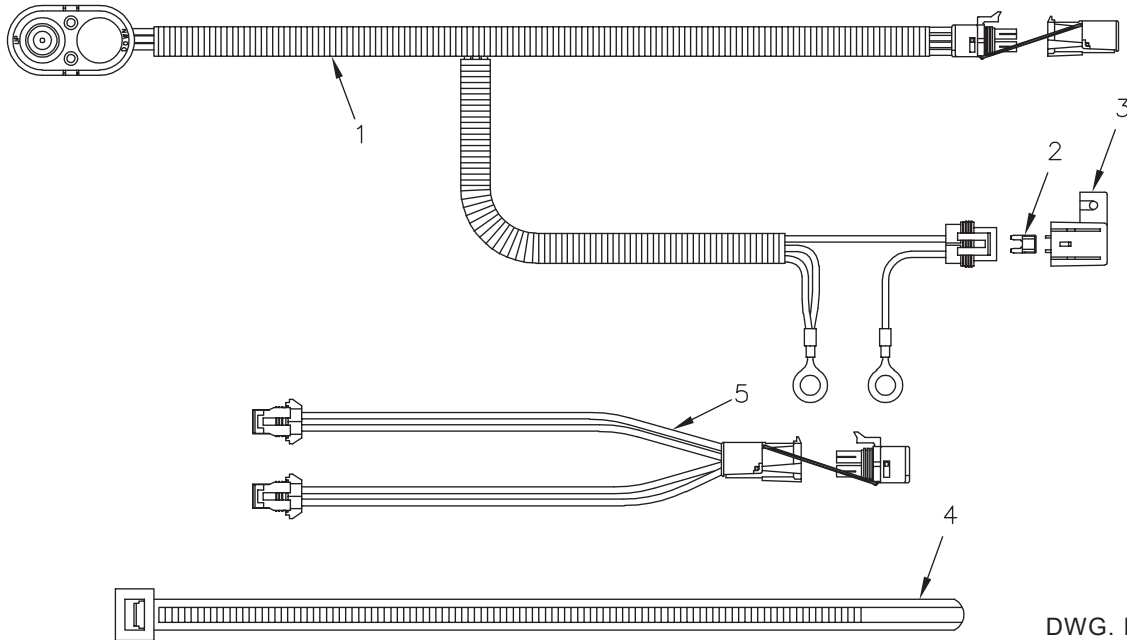
25011400 2 1/2 x 6 Hydraulic Cylinder

DWG. NO. 5485

REF. NO.	PART NUMBER	DESCRIPTION	QTY.	REF. NO.	PART NUMBER	DESCRIPTION	QTY.
1	25010970	Nut	1	7		PSP Seal (Included In Repair Kit)	1
2	25011117	Head	1	8		Rod Seal (Included In Repair Kit)	1
3	25011118	Piston	1	9		Dust Seal (Included In Repair Kit)	1
4		O-Ring (Included In Repair Kit)	1	10	25011125	Retaining Ring	1
5		O-Ring (Included In Repair Kit)	1	11	25011128	Repair Kit	
6		Backup (Included In Repair Kit)	1				

SKID STEER C-PLOW SNOWPLOW

ELECTRICAL WIRING

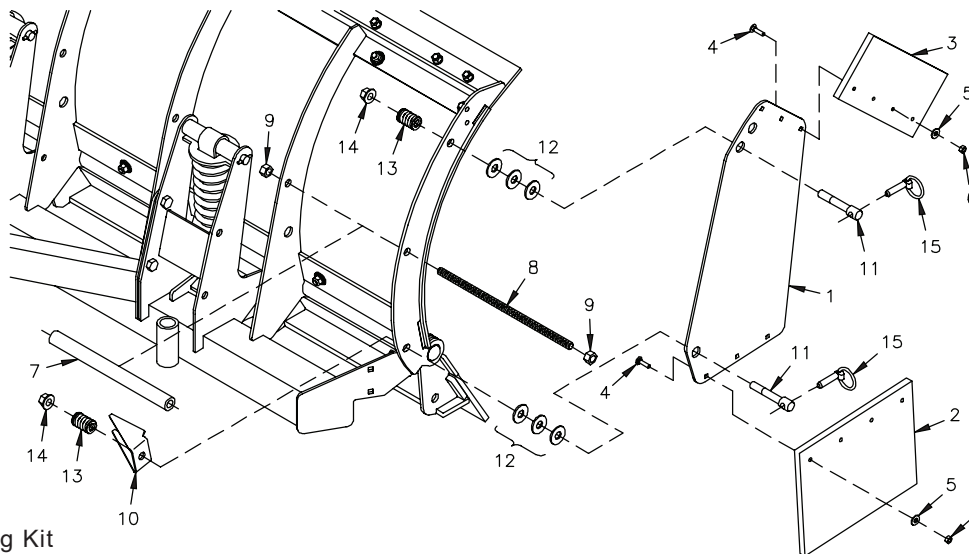


DWG. NO. 5226

SEC 4

REF. NO.	PART NUMBER	DESCRIPTION	QTY.	REF. NO.	PART NUMBER	DESCRIPTION	QTY.
1	38813063	Skid Steer Harness C-Plow	1	4	921-001-108	Plastic Cable Tie 3/8 x 28 Inch	A/R
2	39207031	Fuse, 10 Amp ATO/ATC	1	5	38813064	Skid Steer Plow Harness	1
3	38400012	Cover, Fuse Holder	1				

WING KIT



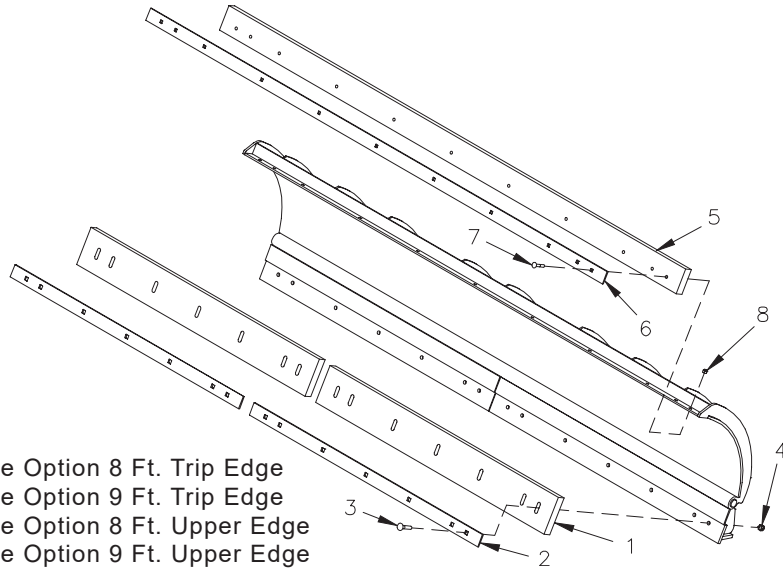
25011508 Wing Kit

DWG. NO. 6541

REF. NO.	PART NUMBER	DESCRIPTION	QTY.	REF. NO.	PART NUMBER	DESCRIPTION	QTY.
1	25011502	Wing Blank	2	9	10304	Lock Nut 1/2-13, 2-Way	4
2	25010840	Lower Wing Rubber	2	10	25011503	Gusset	2
3	25010841	Upper Wing Rubber	2	11	25011504	Quick Attach Bolt	4
4	030-12020	Carriage Bolt 1/4-20 x 1 Gr. 5	12	12	952-002-005	Flat Washer 1/2 Inch	16
5	952-002-011	Flat Washer 1/4 Inch	12	13	25011506	Compression Spring	4
6	951-005-089	Lock Nut 1/4-20 2-Way	12	14	951-005-055	Lock Nut 1/2-13 Mac Lock	4
7	25012734	Pipe	2	15	25011577	Lynch Pin 7/16 x 1 3/4	4
8	25012733	Threaded Rod	2				

SKID STEER C-PLOW SNOWPLOW

RUBBER CUTTING EDGES



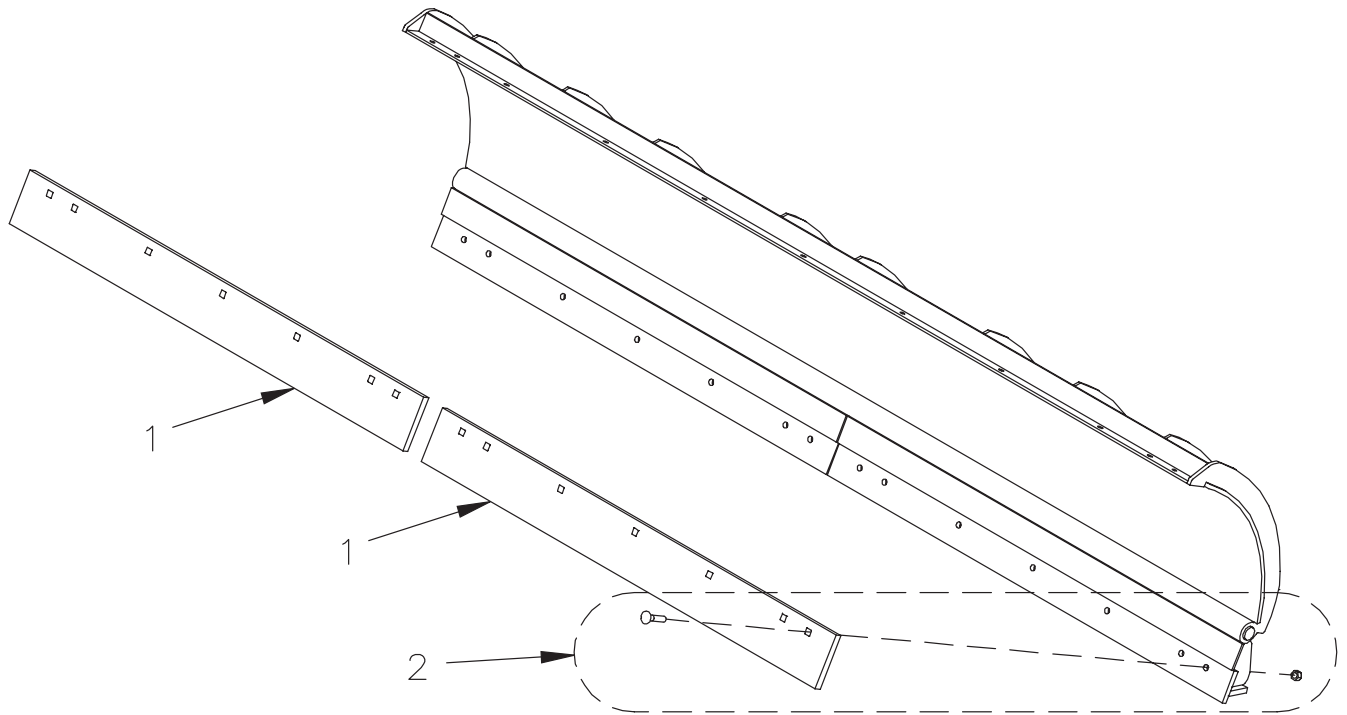
- 25011702 Rubber Cutting Edge Option 8 Ft. Trip Edge
- 25011703 Rubber Cutting Edge Option 9 Ft. Trip Edge
- 25011704 Rubber Cutting Edge Option 8 Ft. Upper Edge
- 25011705 Rubber Cutting Edge Option 9 Ft. Upper Edge

DWG. NO. 5683

REF. NO.	PART NUMBER	DESCRIPTION	QTY.	REF. NO.	PART NUMBER	DESCRIPTION	QTY.
1	25011770	48" Rubber Cutting Edge For 8 Ft. Plow	2	5	25012020	Rubber Cutting Edge 8 Ft.	1
	25011773	54" Rubber Cutting Edge For 9 Ft. Plow	2		25012021	Rubber Cutting Edge 9 Ft.	1
2	25011772	Strap 8 Ft. Trip Edge Plow	2	6	25011766	Strap 8 Ft.	1
	25011775	Strap 9 Ft. Trip Edge Plow	2		25011769	Strap 9 Ft.	1
3	030-16136	Carriage Bolt 1/2-13 x 2 1/2 Gr. 5	14	7	950-003-070	Carriage Bolt 3/8-16 x 2 Gr. 5	11
4	951-003-009	Lock Nut 1/2-13 Nylon Insert	14	8	951-003-002	Lock Nut 3/8-16 Nylon Insert	11

SEC 4

1/2" THICK CUTTING EDGES

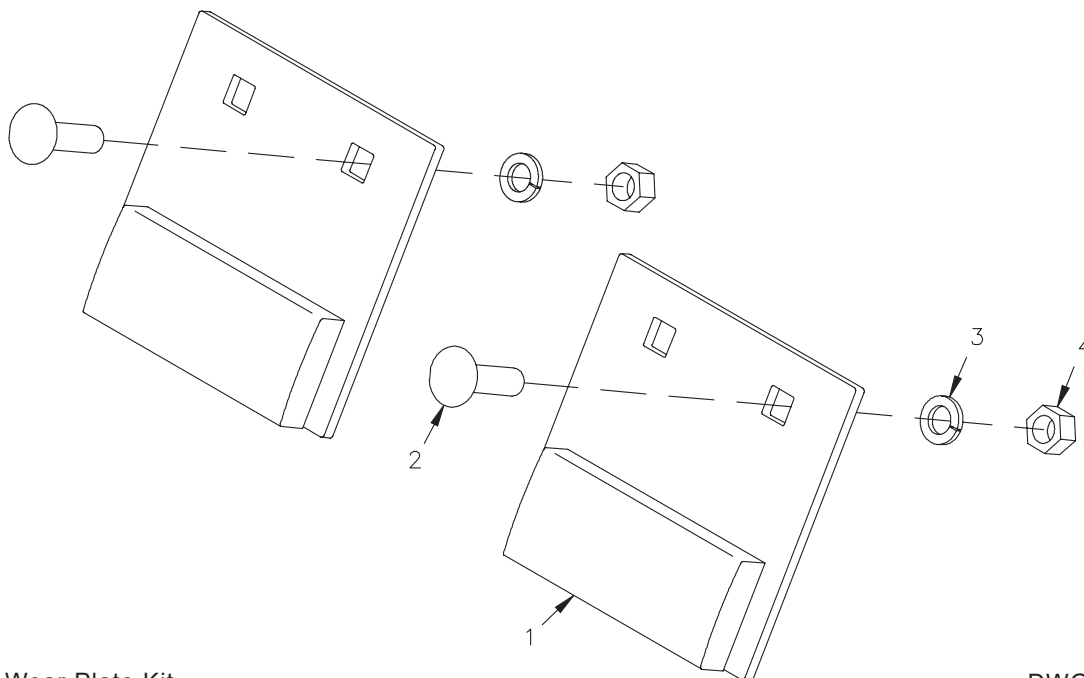


DWG. NO. 5891

REF. NO.	PART NUMBER	DESCRIPTION	QTY.	REF. NO.	PART NUMBER	DESCRIPTION	QTY.
1	25012027	48" Cutting Edge For 8' Plow, 1/2" Thick	2	2	25011578	Cutting Edge Bolt Kit	1
	25012029	54" Cutting Edge For 9' Plow, 1/2" Thick	2				

SKID STEER C-PLOW SNOWPLOW

WEAR PLATE KIT



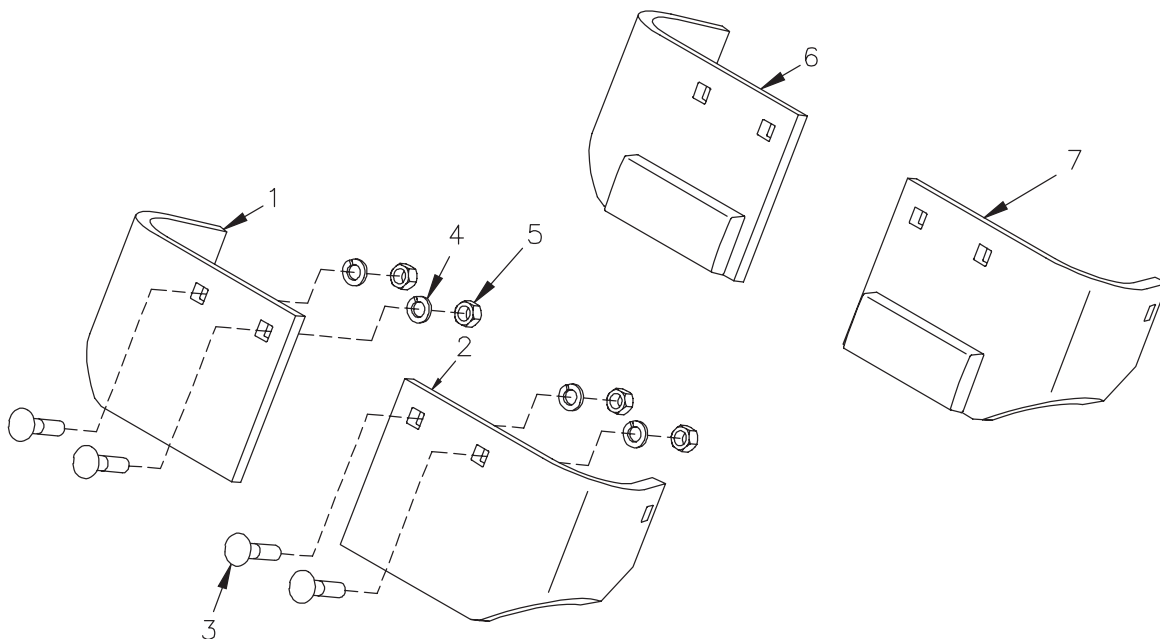
25012587 Wear Plate Kit

DWG. NO. 6331

REF. NO.	PART NUMBER	DESCRIPTION	QTY.	REF. NO.	PART NUMBER	DESCRIPTION	QTY.
1	25012588	Wear Plate Weldment	2	3	952-001-004	Lock Washer 1/2 Inch	4
2	950-003-058	Carriage Bolt 1/2-13 x 1 3/4 Gr. 5	4	4	951-001-007	Hex Nut 1/2-13	4

SEC 4

CURB GUARD KITS



25011695 Curb Guard Kit - Standard
25012726 Curb Guard Kit With Wear Bars

DWG. NO. 5486

REF. NO.	PART NUMBER	DESCRIPTION	QTY.	REF. NO.	PART NUMBER	DESCRIPTION	QTY.
1	25011712	RH Curb Guard - Standard	1	5	951-001-007	Hex Nut 1/2-13	4
2	25011713	LH Curb Guard - Standard	1	6	25012722	RH Curb Guard With Wear Bar	1
3	950-003-051	Carriage Bolt 1/2-13 x 2 1/4 Gr. 5	4	7	25012723	LH Curb Guard With Wear Bar	1
4	952-001-004	Lock Washer 1/2 Inch	4				