

SECTION 2

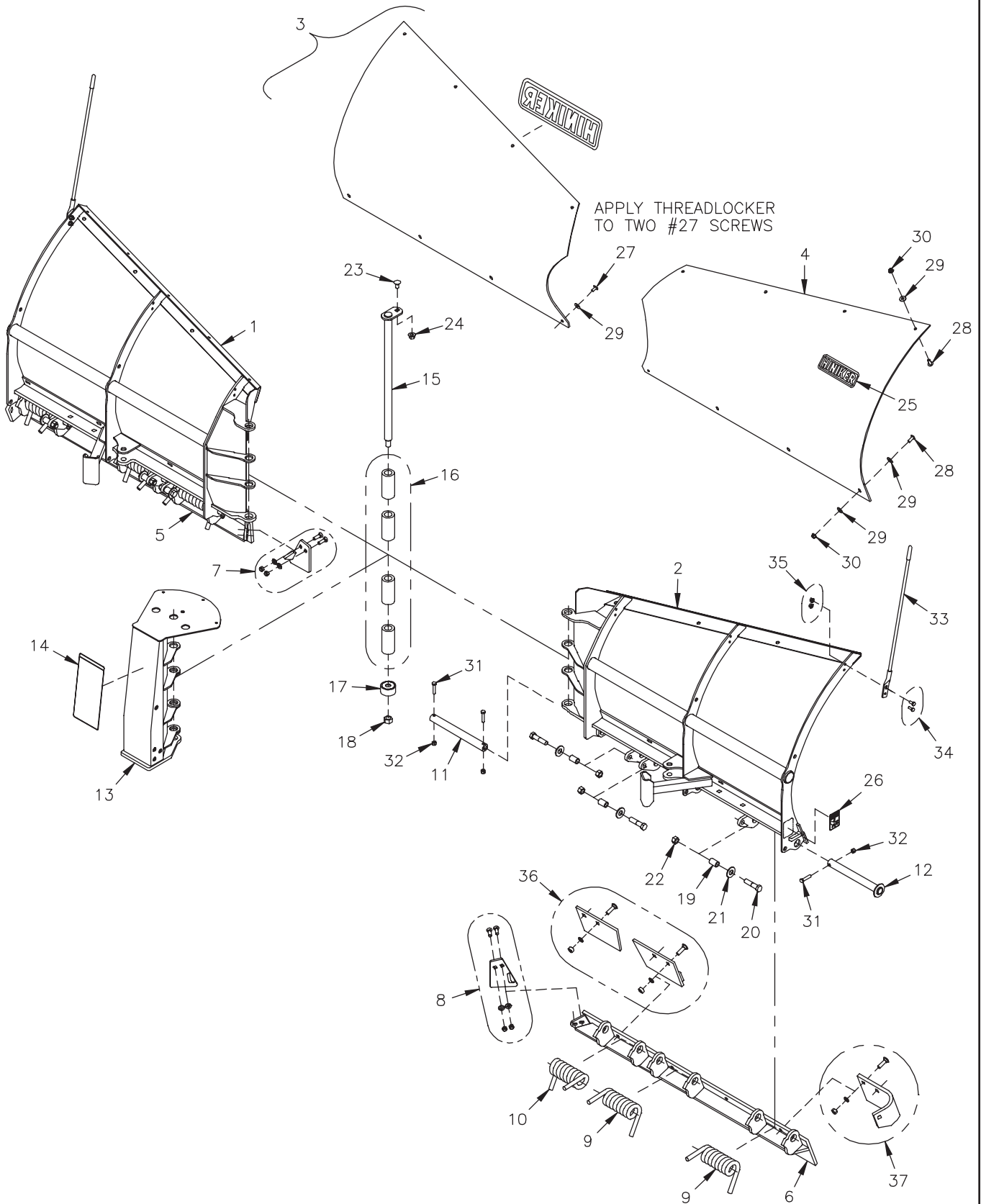
V-PLOWS

MODELS: 29285, 29295

PAGE 2	MOLDBOARD ASSEMBLIES
PAGE 3	CUTTING EDGES
PAGE 4	FRAME ASSEMBLY
PAGE 5	HYDRAULIC OVERVIEW 2 1/4 X 10 HYDRAULIC CYLINDER
PAGE 6	VALVE MANIFOLD ELECTRICAL WIRING
PAGE 7	POLY SNOW DEFLECTOR KIT RUBBER SNOW DEFLECTOR KIT
PAGE 8	WEAR PLATE KIT CURB GUARD KITS
PAGE 9	SKID SHOE ASSEMBLY BOX END WINGS

MOLDBOARD ASSEMBLIES

SEC 2



25013389 Moldboard Assembly 8 1/2' Plow
25013390 Moldboard Assembly 9 1/2' Plow

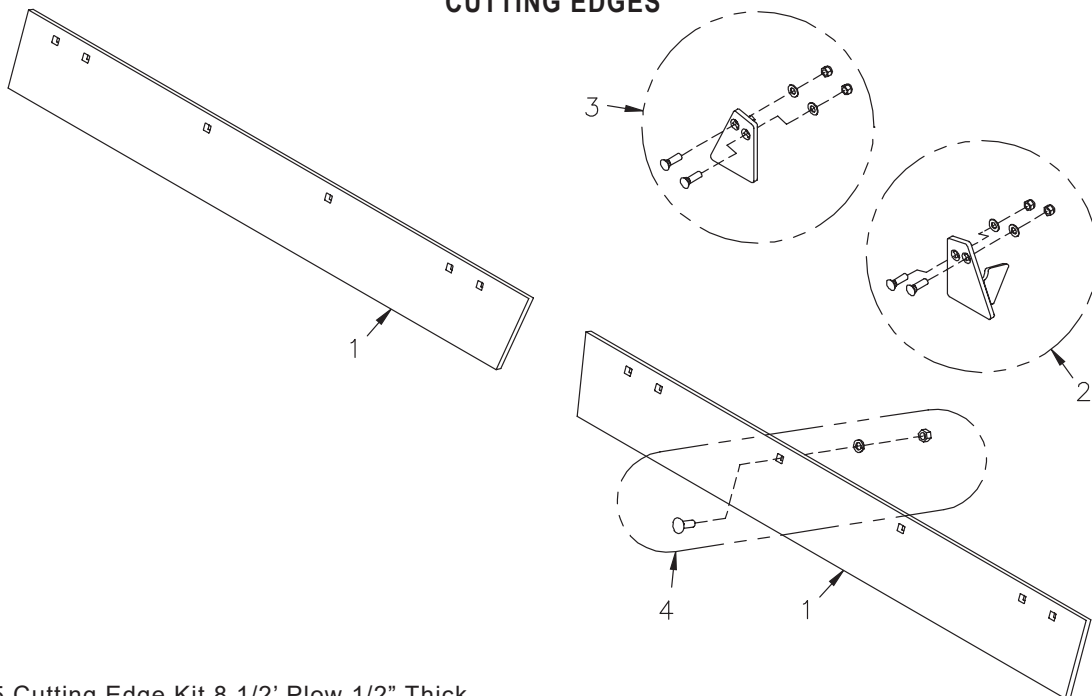
DWG. NO. 7297B

SKID STEER V-PLOW 29285 - 29295

SEC 2

REF. NO.	PART NUMBER	DESCRIPTION	QTY.	REF. NO.	PART NUMBER	DESCRIPTION	QTY.
1	25013412	LH Wing Frame Weldment 8 1/2' Plow	1	17	25012303	Washer Weldment	1
	25013393	LH Wing Frame Weldment 9 1/2' Plow	1	18	951-005-037	Lock Nut 3/4-10 2-Way	1
2	25013411	RH Wing Frame Weldment 8 1/2' Plow	1	19	25013406	Bushing	6
	25013392	RH Wing Frame Weldment 9 1/2' Plow	1	20	031-06308	Hex Head Cap Screw 5/8-11 x 2 3/4 Gr. 5	6
3	25013475	Poly Blank/Logo Decal Assembly 8 1/2' Plow	1	21	952-002-007	Flat Washer 5/8 Inch	6
	25013476	Poly Blank/Logo Decal Assembly 9 1/2' Plow	1	22	951-005-044	Lock Nut 5/8-11, 2-Way	6
4	25013415	Moldboard Blank 8 1/2' Plow	1	23	030-16130	Carriage Bolt 1/2-13 x 1 Gr. 5	1
	25013400	Moldboard Blank 9 1/2' Plow	1	24	951-005-055	Lock Nut 1/2-13 Mac Lock	1
5	25013520	LH Trip Edge Weldment 8 1/2' Plow	1	25	25011684	Decal-Hiniker	1
	25013522	LH Trip Edge Weldment 9 1/2' Plow	1	26	25013529	Decal-Warning	2
6	25013521	RH Trip Edge Weldment 8 1/2' Plow	1	27	950-004-108	Machine Screw 3/8-16 x 3/4 Slotted Truss Head	2
	25013523	RH Trip Edge Weldment 9 1/2' Plow	1	28	700-11704	Machine Screw 3/8-16 x 1 Slotted Truss Head	14
7	25013932	LH Snow Catcher Assembly	1	29	952-002-013	Flat Washer 3/8 Inch Stainless Steel	22
8	25013933	RH Snow Catcher Assembly	1	30	951-005-003	Lock Nut 3/8-16 Mac Lock	14
9	25013404	Helical Torsion Spring LH Wound	3	31	950-001-092	Hex Head Cap Screw 3/8-16 x 1 3/4 Gr. 5	10
10	25013403	Helical Torsion Spring RH Wound	3	32	951-003-002	Lock Nut 3/8-16 Nylon Insert	10
11	25013405	Inner Trip Pin	4	33	25010118	Blade Guide	2
12	25013399	Outer Trip Pin Weldment	2	34	950-001-110	Hex Head Cap Screw 5/16-18 x 1 Gr. 5	4
13	25013396	Center Mast Weldment	1	35	951-005-036	Lock Nut 5/16-18 Mac Lock	4
14	25013502	Decal - Removal	1	36	25013895	V-Plow Wear Plate Kit (See Sec. 2, P. 8)	1
15	25013397	Hinge Pin Weldment	1	37	25012726	Curb Guard W/Wear Bars Kit (See Sec. 2, P. 8)	1
16	25013023	Bushing 4 3/8" Long	4				

CUTTING EDGES



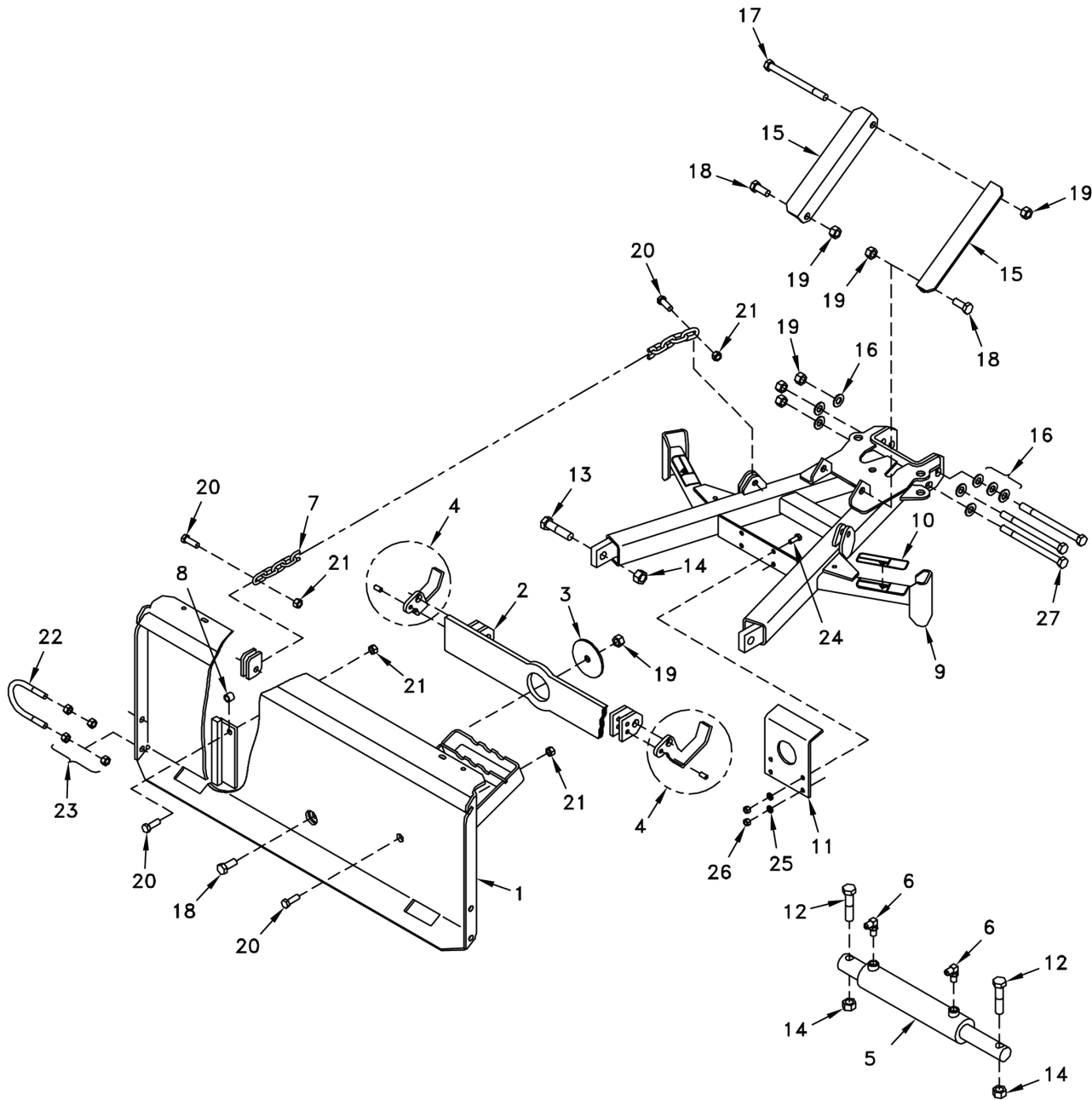
25013935 Cutting Edge Kit 8 1/2' Plow 1/2" Thick
 25013936 Cutting Edge Kit 9 1/2' Plow 1/2" Thick

DWG. NO. 7298B

REF. NO.	PART NUMBER	DESCRIPTION	QTY.	REF. NO.	PART NUMBER	DESCRIPTION	QTY.
1	25013934	Cutting Edge 8 1/2' Plow 1/2" Thick	2	3	25013933	RH Snow Catcher Assembly	1
	25013937	Cutting Edge 9 1/2' Plow 1/2" Thick	2	4	25013516	Cutting Edge Bolt Kit	1
2	25013932	LH Snow Catcher Assembly					

FRAME ASSEMBLY

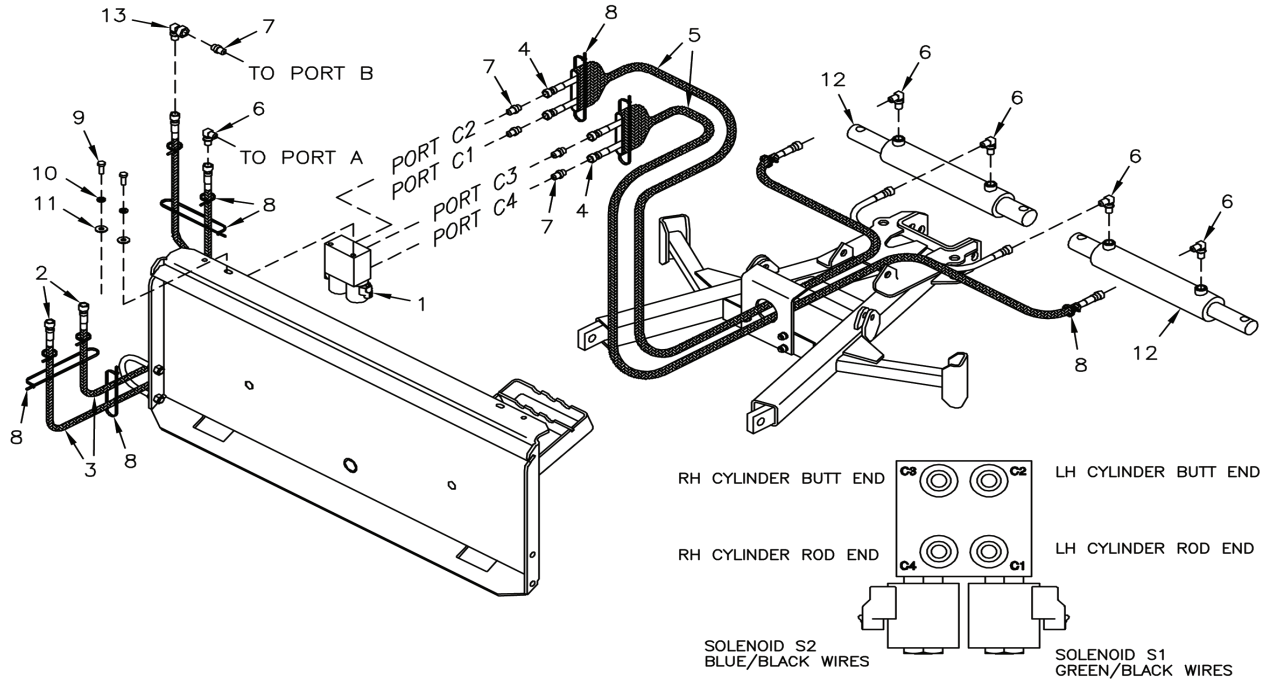
SEC
2



DWG. NO. 7337B

REF. NO.	PART NUMBER	DESCRIPTION	QTY.	REF. NO.	PART NUMBER	DESCRIPTION	QTY.
1	25012719	Mount Plate Weldment	1	15	25013360	Angle Brace - 9" Hole Centers	2
2	25011255	Bar Weldment	1	16	25014039	Angle Brace - 11" Hole Center	2
3	25011254	Washer	1	17	952-004-070	SAE Flat Washer 5/8", Hardened	8
4	25013590	Park Stand Feet Kit	1	18	950-001-165	Hex Head Cap Screw 5/8-11 x 7 1/2 Gr. 5	1
5	25011080	2 1/4 x 10 Hydraulic Cylinder (See Sec. 2 P. 5)	2	19	950-001-087	Hex Head Cap Screw 5/8-11 x 1 1/2 Gr. 5	3
6	956-005-022	90° Adapter 9/16 ORB x 9/16 JIC	4	19	951-005-044	Lock Nut 5/8-11 2-Way	7
7	25011251	Chain	2	20	950-001-125	Hex Head Cap Screw 1/2-13 x 1 1/2 Gr. 5	6
8	25011250	Spacer	2	21	10304	Lock Nut 1/2-13 2-Way	6
9	25014038	Push Frame/Decal/11" Brace Assembly	1	22	25013162	U-Bolt 1/2-13	1
10	25012271	Warning Decal	2	23	951-001-007	Hex Nut 1/2-13	4
11	25011269	Stop	1	24	950-001-105	Hex Head Cap Screw 3/8-16 x 1" Gr. 5	4
12	950-001-069	Hex Head Cap Screw 3/4-10 x 3 1/4 Gr. 5	4	25	952-001-007	Lock Washer 3/8 Inch	4
13	950-001-031	Hex Head Cap Screw 3/4-10 x 3 Gr. 5	2	26	951-001-005	Hex Nut 3/8-16	4
14	951-005-037	Lock Nut 3/4-10 2-Way	6	27	950-001-238	Hex Head Cap Screw 5/8-11 x 8 Gr. 5	3

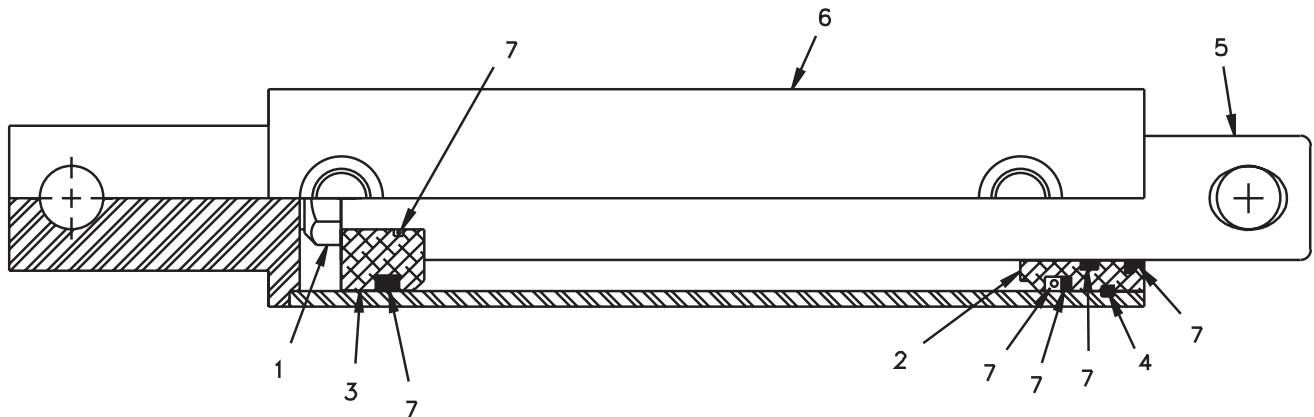
HYDRAULIC OVERVIEW



DWG. NO. 7338A

REF. NO.	PART NUMBER	DESCRIPTION	QTY.	REF. NO.	PART NUMBER	DESCRIPTION	QTY.
1	25011243	Valve Manifold Assembly (See Sec. 2, Page 6)	1	8	367-001-014	Plastic Cable Tie 8"	13
2	957-001-017	Hydraulic Hose Assembly 3/8 x 72"	2	9	950-001-105	Hex Head Cap Screw 3/8-16 x 1 Gr. 5	2
3	25011131	Nylon Sleeve 72" Long	2	10	952-001-007	Lock Washer 3/8 Inch	2
4	957-010-006	Hydraulic Hose Assembly 1/4 x 66"	4	11	952-002-003	Std Flat Washer 3/8 Inch	2
5	25011319	Nylon Sleeve 66" Long	2	12	25011080	2 1/4 x 10 Hydraulic Cylinder	2
6	956-005-022	90° Adapter 9/16 ORB x 9/16 JIC	5	13	956-005-002	90° Adapter 9/16 JIC	1
7	206-01024	Straight Adapter 9/16 ORB x 9/16 JIC	5				

2 1/4 X 10 HYDRAULIC CYLINDER



25011080 2 1/4 x 10 Cylinder

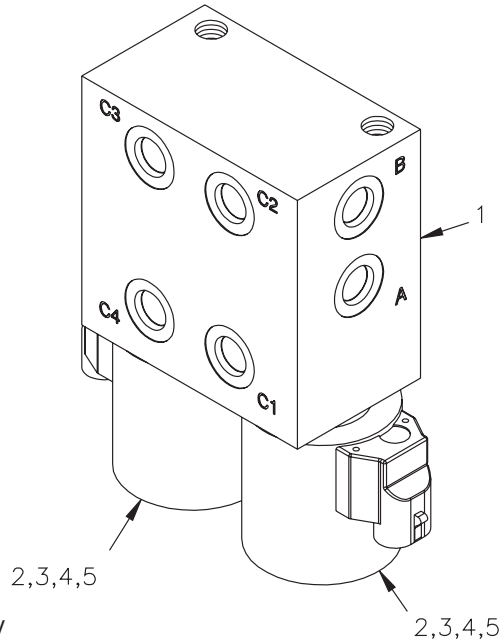
DWG. NO. 5189

REF. NO.	PART NUMBER	DESCRIPTION	QTY.	REF. NO.	PART NUMBER	DESCRIPTION	QTY.
1	25011119	Nut	1	5	25011123	Shaft	1
2	25011120	Head	1	6	25011124	Barrel	1
3	25011121	Piston	1	7	25011145	Repair Kit	1
4	25011122	Retaining Ring	1				

SKID STEER V-PLOW 29285 - 29295

SEC 2

VALVE MANIFOLD

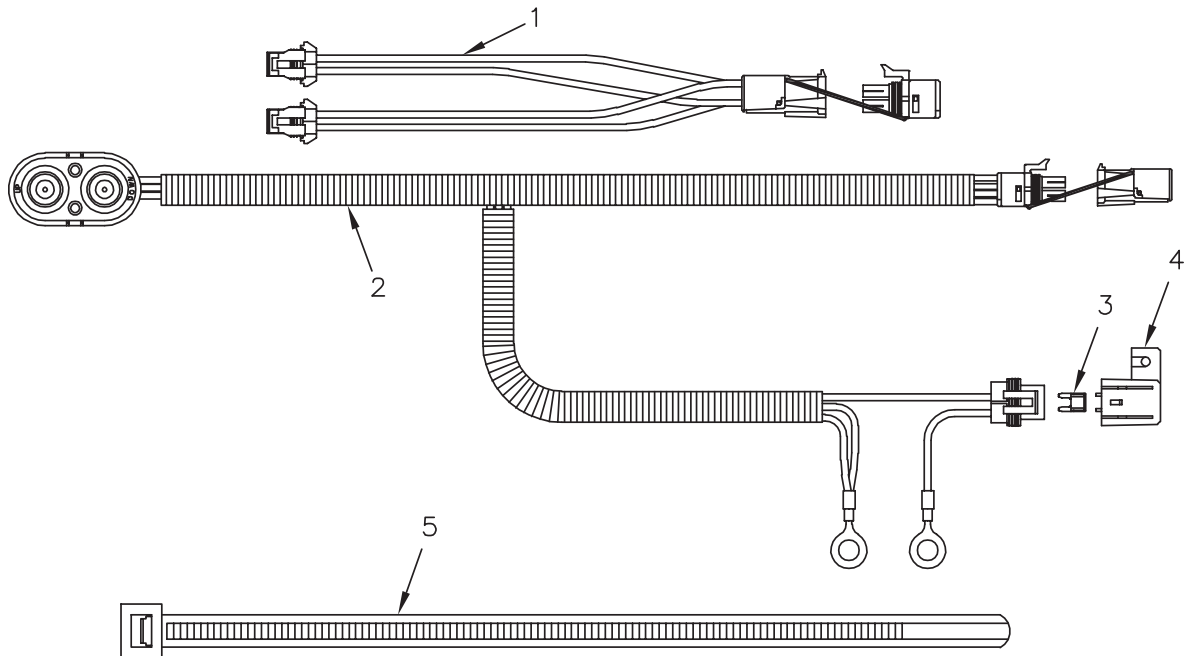


25011243 Valve Manifold Assembly

DWG. NO. 5190

REF. NO.	PART NUMBER	DESCRIPTION	QTY.	REF. NO.	PART NUMBER	DESCRIPTION	QTY.
1	25011241	Manifold Block	1	4	25011108	10 Size E-Coil	2
2	25011106	Orifice Disc	2	5	25011107	E-Coil Nut	2
3	25011240	Spool Valve	2	6	25011242	Seal Kit, Solenoid	2

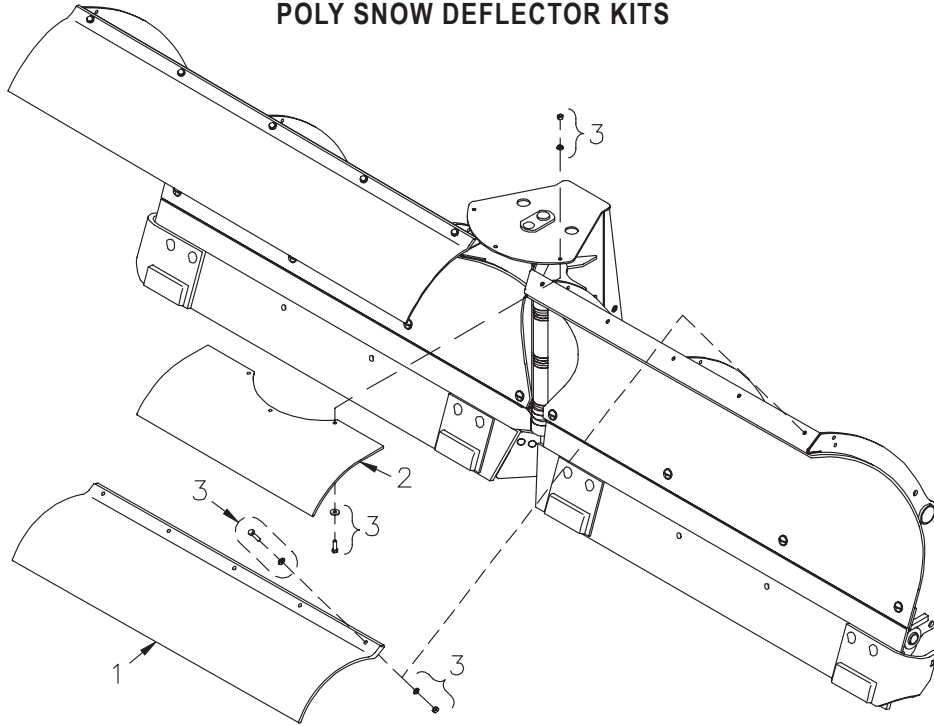
ELECTRICAL WIRING



DWG. NO. 5227

REF. NO.	PART NUMBER	DESCRIPTION	QTY.	REF. NO.	PART NUMBER	DESCRIPTION	QTY.
1	38813064	Skid Steer Plow Harness	1	4	38400012	Cover, Fuse Holder	1
2	38813065	Skid Steer Harness V-Plow	1	5	921-001-108	Plastic Cable Tie 3/8 x 28 Inch	A/R
3	39207031	Fuse 10 AMP ATO/ATC	1				

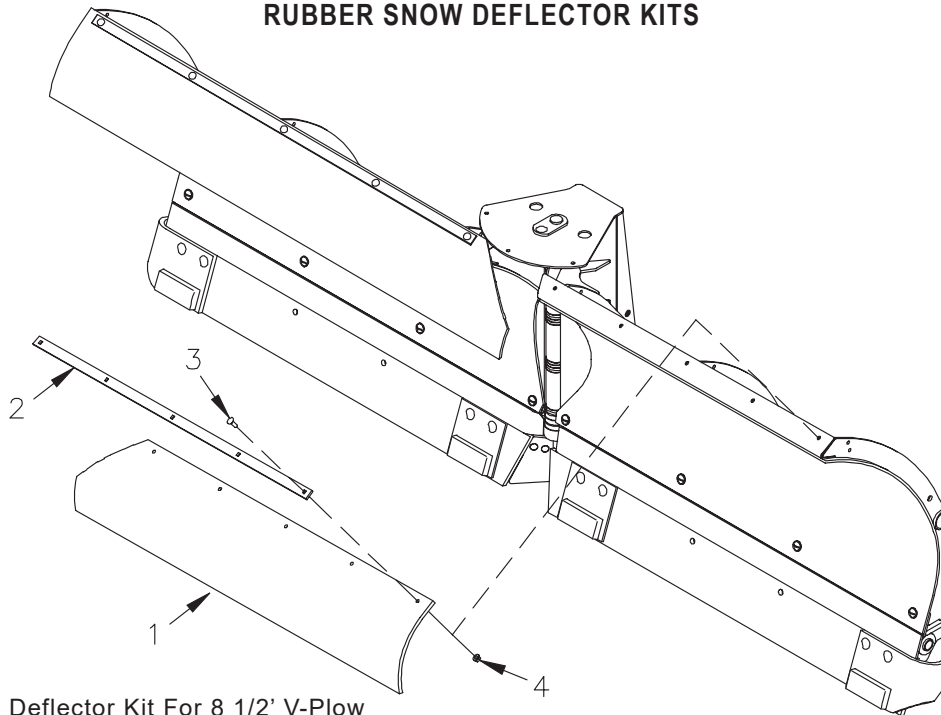
POLY SNOW DEFLECTOR KITS



DWG. NO. 7301

REF. NO.	PART NUMBER	DESCRIPTION	QTY.	REF. NO.	PART NUMBER	DESCRIPTION	QTY.
1	25011791	Poly Snow Deflector Kit 8 1/2' V-Plow	1	2	25011796	Center Deflector	1
	25011792	Poly Snow Deflector Kit 9 1/2' V-Plow	1	3	25011793	Bolt Box Snow Deflector	1

RUBBER SNOW DEFLECTOR KITS



25010633 Snow Deflector Kit For 8 1/2' V-Plow
25010910 Snow Deflector Kit For 9 1/2' V-Plow

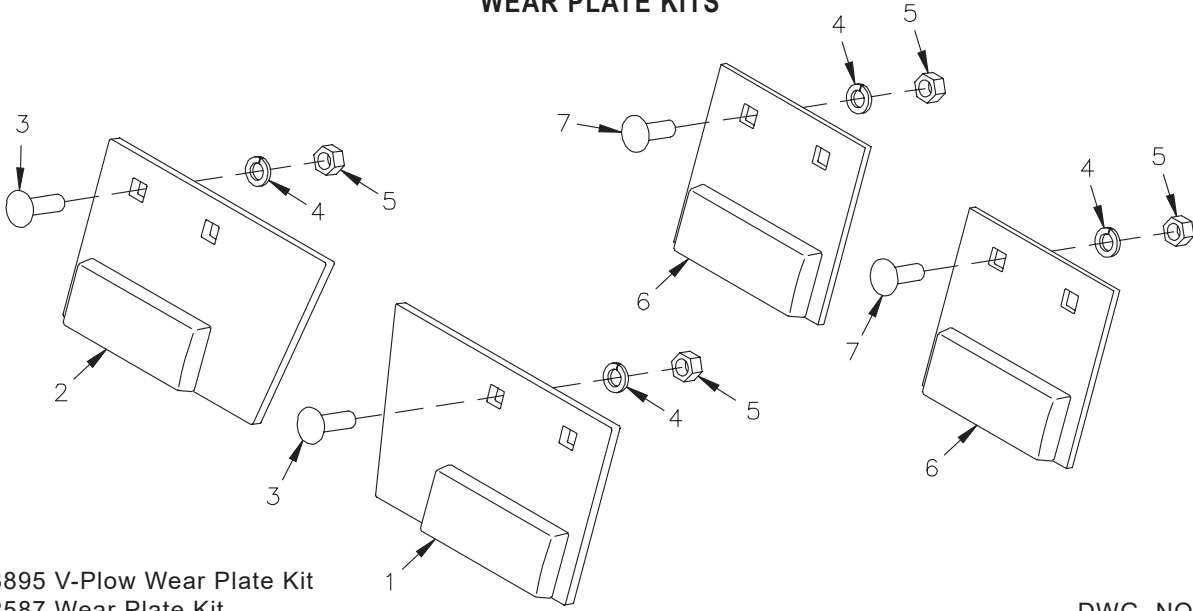
DWG. NO. 7300

REF. NO.	PART NUMBER	DESCRIPTION	QTY.	REF. NO.	PART NUMBER	DESCRIPTION	QTY.
1	25010695	Snow Deflector, 8 1/2' V-Plow	2	3	030-16042	Carriage Bolt 5/16-18 x 1 Gr. 5	A/R
	25010912	Snow Deflector, 9 1/2' V-Plow	2	4	951-005-036	Lock Nut 5/16-18 Mac Lock	A/R
2	25010690	Snow Deflector Strap, 8 1/2' V-Plow	2				
	25010911	Snow Deflector Strap, 9 1/2' V-Plow	2				

SKID STEER V-PLOW 29285 - 29295

SEC 2

WEAR PLATE KITS

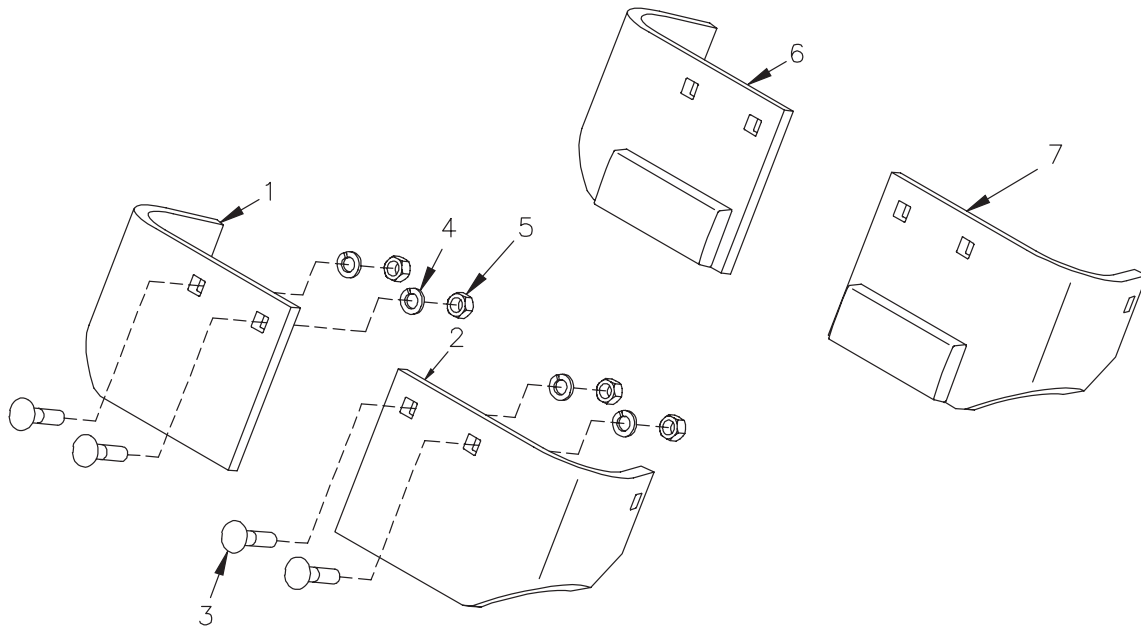


25013895 V-Plow Wear Plate Kit
25012587 Wear Plate Kit

DWG. NO. 7630

REF. NO.	PART NUMBER	DESCRIPTION	QTY.	REF. NO.	PART NUMBER	DESCRIPTION	QTY.
	25013895	V-Plow Wear Plate Kit (Items 1-5)	1	4	952-001-004	Lock Washer, 1/2 Inch	A/R
	25012587	Wear Plate Kit (Items 4-7)	1	5	951-001-007	Hex Nut 1/2-13	A/R
1	25013892	LH Wear Bar Weldment - V-Plow Kit	1	6	25012588	Wear Plate Weldment	2
2	25013893	RH Wear Bar Weldment - V-Plow Kit	1	7	950-003-058	Carriage Bolt 1/2-13 X 1 3/4 Gr. 5	A/R
3	950-003-025	Carriage Bolt 1/2-13 x 2 Gr. 5	A/R				

CURB GUARD KITS

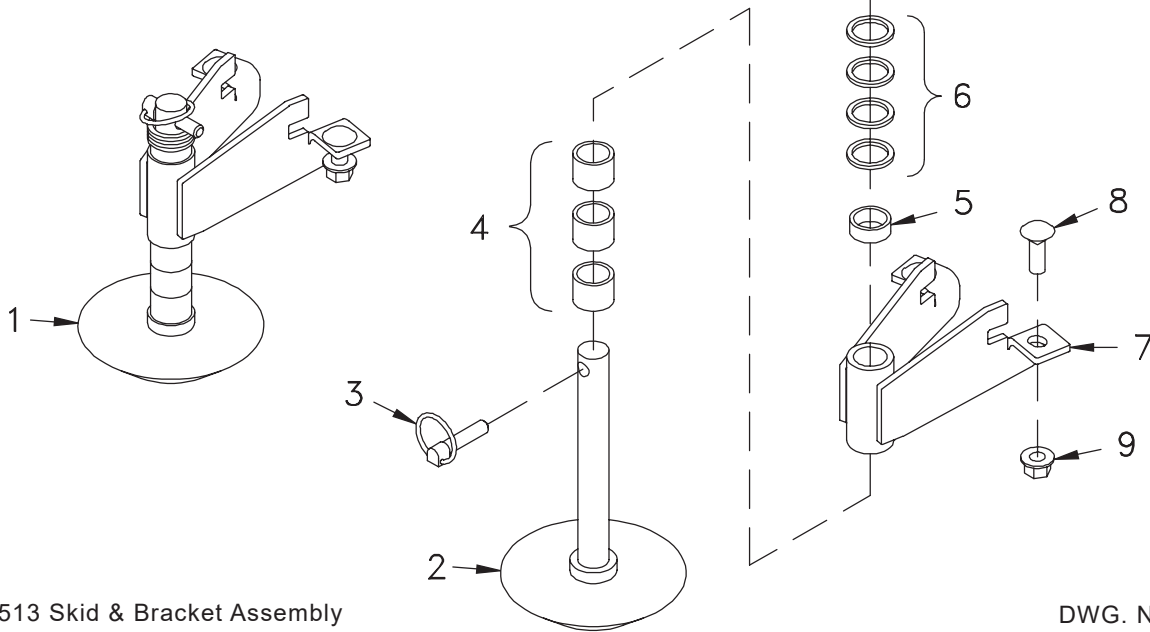


25011695 Curb Guard Kit - Standard
25012726 Curb Guard Kit With Wear Bars

DWG. NO. 5486

REF. NO.	PART NUMBER	DESCRIPTION	QTY.	REF. NO.	PART NUMBER	DESCRIPTION	QTY.
1	25011712	RH Curb Guard - Standard	1	5	951-001-007	Hex Nut 1/2-13	4
2	25011713	LH Curb Guard - Standard	1	6	25012722	RH Curb Guard With Wear Bar	1
3	950-003-051	Carriage Bolt 1/2-13 x 2 1/4 Gr. 5	4	7	25012723	LH Curb Guard With Wear Bar	1
4	952-001-004	Lock Washer 1/2 Inch	4				

SKID SHOE ASSEMBLY

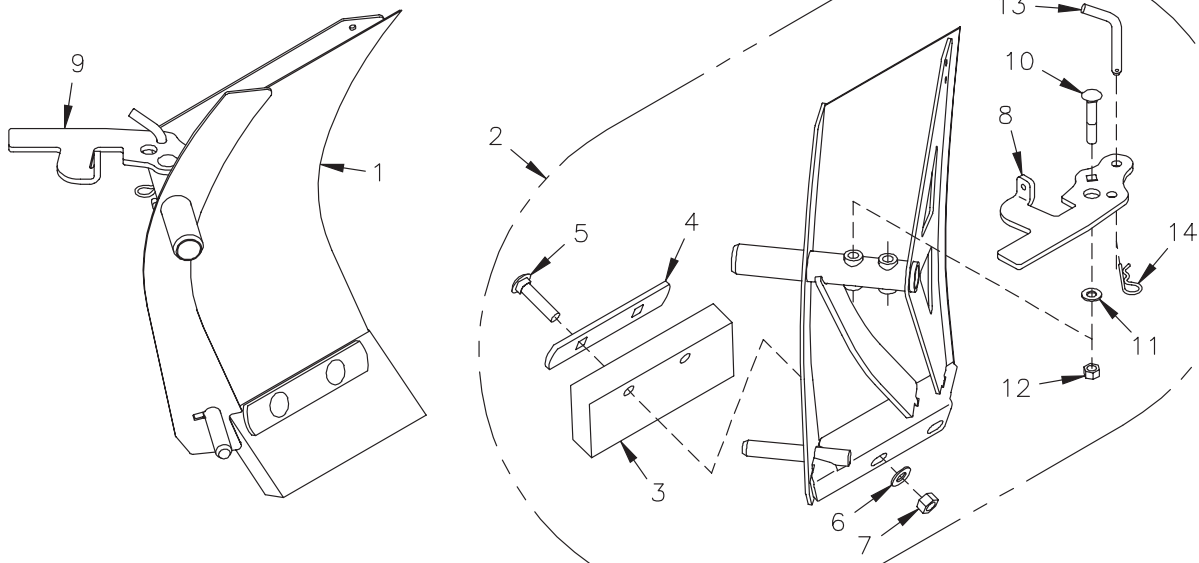


25013513 Skid & Bracket Assembly

DWG. NO. 7302

REF. NO.	PART NUMBER	DESCRIPTION	QTY.	REF. NO.	PART NUMBER	DESCRIPTION	QTY.
1	25013513	Skid Shoe & Bracket Kit (Contains 2 Skid Assys)	1	6	952-004-071	Machinery Bushing	8
2	25011478	Cast Iron Skid Shoe	2	7	25013398	Skid Bracket Weldment	2
3	25010319	Klik Pin	2	8	030-16132	Carriage Bolt 1/2-13 x 1 1/2 Gr. 5	4
4	25010049	1" Skid Spacer	6	9	951-005-055	Lock Nut 1/2-13 Mac Lock	4
5	25010048	1/2" Skid Spacer	2				

BOX END WINGS



25013530 Wing Kit

DWG. NO. 7303

REF. NO.	PART NUMBER	DESCRIPTION	QTY.	REF. NO.	PART NUMBER	DESCRIPTION	QTY.
1	25013532	Complete LH Wing Assembly	1	8	25013209	RH Locking Arm	1
2	25013533	Complete RH Wing Assembly	1	9	25013208	LH Locking Arm	1
3	25013531	Rubber Edge	1	10	030-16138	Carriage Bolt 1/2-13 x 3 Gr. 5	1
4	25013206	Strap	1	11	952-003-004	SAE Flat Washer, 1/2 Inch	1
5	030-12168	Carriage Bolt 5/8-11 x 2 3/4 Gr. 5	2	12	10304	Lock Nut 1/2-13 2-Way	1
6	952-003-003	SAE Flat Washer, 5/8 Inch	2	13	25013207	Bent Arm Pin 1/2 x 3	1
7	951-005-044	Lock Nut 5/8-11 2-Way	2	14	953-005-003	Hair Pin Cotter	1

