

# SECTION 1

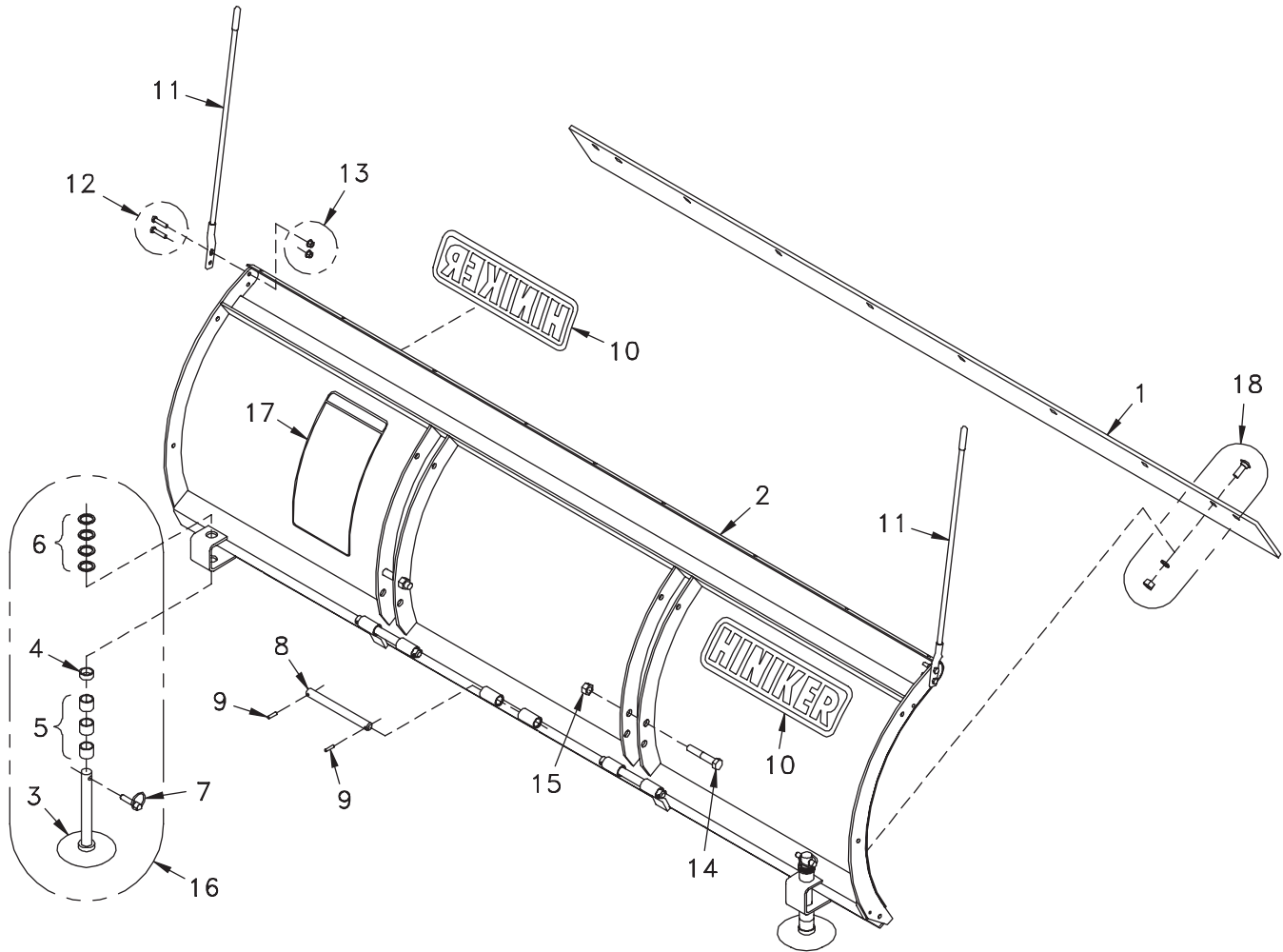
# STRAIGHT PLOWS

**MODELS: 275, 2275, 280, 2280, 2285**

<b>PAGE 2</b>	<b>MOLDBOARD ASSEMBLIES</b>
<b>PAGE 3</b>	<b>FRAME ASSEMBLY</b>
<b>PAGE 4</b>	<b>1 1/2 X 10 HYDRAULIC CYLINDER POLY SNOW DEFLECTOR KIT</b>
<b>PAGE 5</b>	<b>RUBBER SNOW DEFLECTOR KIT SNOW DEFLECTOR SPRING KIT</b>
<b>PAGE 6</b>	<b>RUBBER CUTTING EDGE KITS 1/2" THICK CUTTING EDGES</b>
<b>PAGE 7</b>	<b>WEAR PLATE KIT CURB GUARD KITS</b>
<b>PAGE 8</b>	<b>CROSSOVER RELIEF VALVE WING KIT</b>

SKID STEER STRAIGHT SNOWPLOW

MOLDBOARD ASSEMBLIES

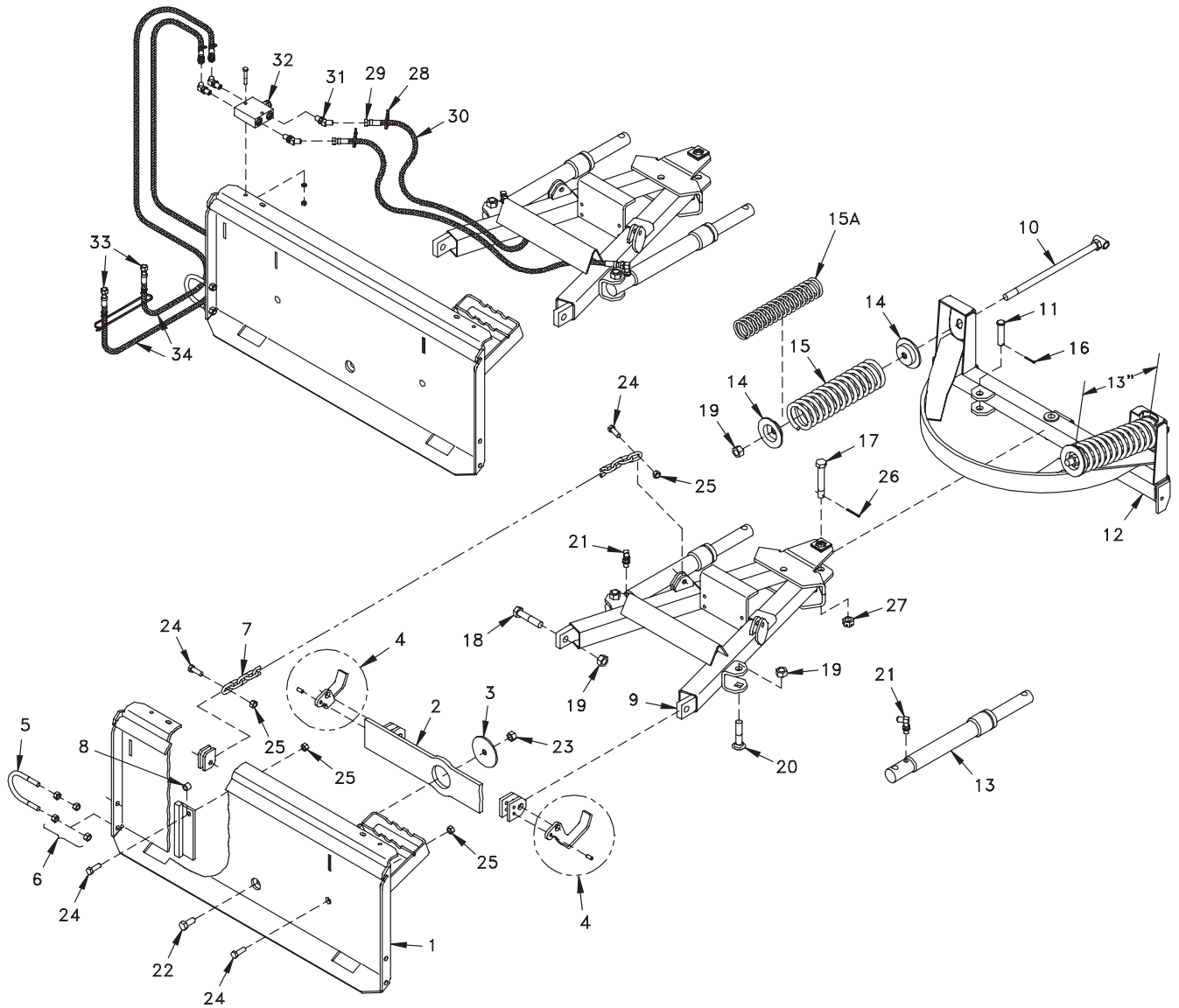


- 25013144 7 1/2' Moldboard Assembly
- 25013146 8' Moldboard Assembly
- 25013147 8 1/2' Moldboard Assembly

DWG. NO. 7282

REF. NO.	PART NUMBER	DESCRIPTION	QTY.	REF. NO.	PART NUMBER	DESCRIPTION	QTY.
1	25010378	8 1/2' Cutting Edge	1	8	25010376	8" Hinge Pin	3
	25010001	8' Cutting Edge	1	9	953-003-031	Slotted Spring Pin 1/4 x 1"	6
	25010002	7 1/2' Cutting Edge	1	10	79202024	Hiniker Decal	2
2	25010375	8 1/2' Moldboard Weldment	1	11	25010118	Red Blade Guide	2
	25010433	8' Moldboard Weldment	1	12	950-001-200	Hex Head Cap Screw 5/16-18 x 1 1/4 Gr. 5	4
	25010432	7 1/2' Moldboard Weldment	1	13	951-005-036	Lock Nut 5/16-18 - Mac Lock	4
3	25011478	Cast Iron Skid	2	14	950-001-164	Hex Head Cap Screw 5/8-11 x 3 1/2 Gr. 5	2
4	25010048	1/2" Skid Spacer	2	15	951-005-044	Lock Nut 5/8-11 2-Way	2
5	25010049	1" Skid Spacer	6	16	25011487	Cast Iron Skid Assembly	2
6	952-004-071	Machine Bushing 1 5/32 x 1 1/2 x 10 Ga	8	17	25013502	Decal - Snowplow Removal	1
7	25010319	Klik Pin	2	18	25011051	Cutting Edge Bolt Kit	1

FRAME ASSEMBLY

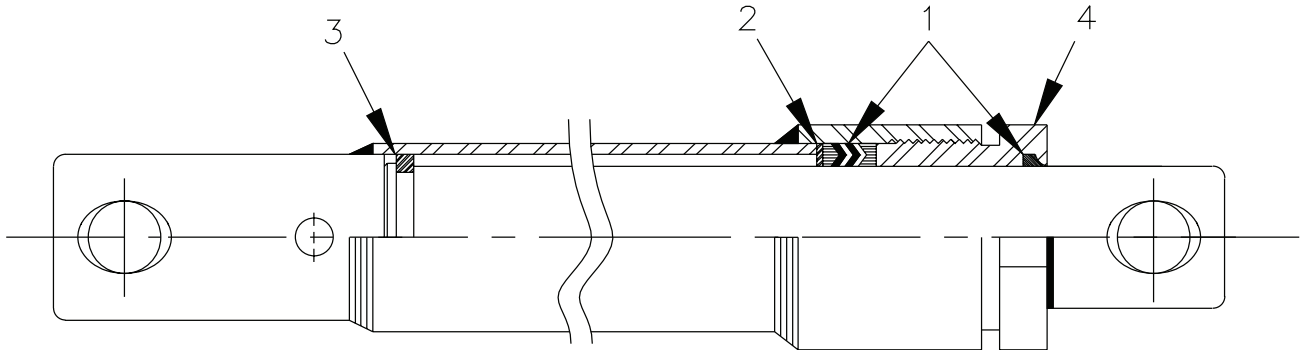


DWG. NO. 5246D

REF. NO.	PART NUMBER	DESCRIPTION	QTY.	REF. NO.	PART NUMBER	DESCRIPTION	QTY.
1	25012719	Mount Plate Weldment	1	18	950-001-031	Hex Head Cap Screw 3/4-10 x 3 Gr. 5	2
2	25011255	Bar Weldment	1	19	951-005-037	Lock Nut 3/4-10 2-Way	6
3	25011254	Washer	1	20	030-16198	Carriage Bolt 3/4-10 x 3 1/2 Gr. 5	2
4	25013590	Park Stand Feet Kit	1	21	956-005-032	90° Male Restrictor Elbow	2
5	25013162	U-Bolt 1/2-13	1	22	950-001-087	Hex Head Cap Screw 5/8-11 x 1 1/2 Gr. 5	1
6	951-001-007	Hex Nut 1/2-13	4	23	951-005-044	Lock Nut 5/8-11 2-Way	1
7	25011251	Chain	2	24	950-001-125	Hex Head Cap Screw 1/2-13 x 1 1/2 Gr. 5	6
8	25011250	Spacer	2	25	10304	Lock Nut 1/2-13 2-Way	6
9	25011249	Push Frame Weldment	1	26	953-001-008	Cotter Pin 3/16 x 1 3/4	1
10	25010058	Pull Rod Weldment	2	27	034-00136	Slotted Hex Nut 3/4-10	1
11	953-002-032	Clevis Pin 3/4 x 3	2	28	367-001-014	Cable Tie, Black 8 Inch	6
12	25010393	Quadrant Weldment	1	29	957-010-007	Hydraulic Hose Assembly 1/4 x 40	2
13	25010523	1 1/2" x 10" Cylinder (See Sec 1 Page 4)	2	30	25011130	Nylon Sleeve 40" Long	2
14	81004090	Washer	4	31	956-005-023	45° Adapter 9/16 ORB	4
15	81004098	Compression Spring	2	32	25012834	Crossover Relief Assembly (See Sec. 1, Page 8)	1
15A	25010422	Compression Spring (8 1/2" Plow Only)	2	33	957-001-017	Hydraulic Hose Assembly 3/8 x 72"	2
16	035-42033	Cotter Pin 5/32 x 1 1/4	2	34	25011131	Nylon Sleeve 72" Long	2
17	25012615	Drilled Bolt 3/4-10 x 4 1/2 Gr. 5	1				

**SKID STEER STRAIGHT SNOWPLOW**

**1 1/2 X 10 HYDRAULIC CYLINDER**

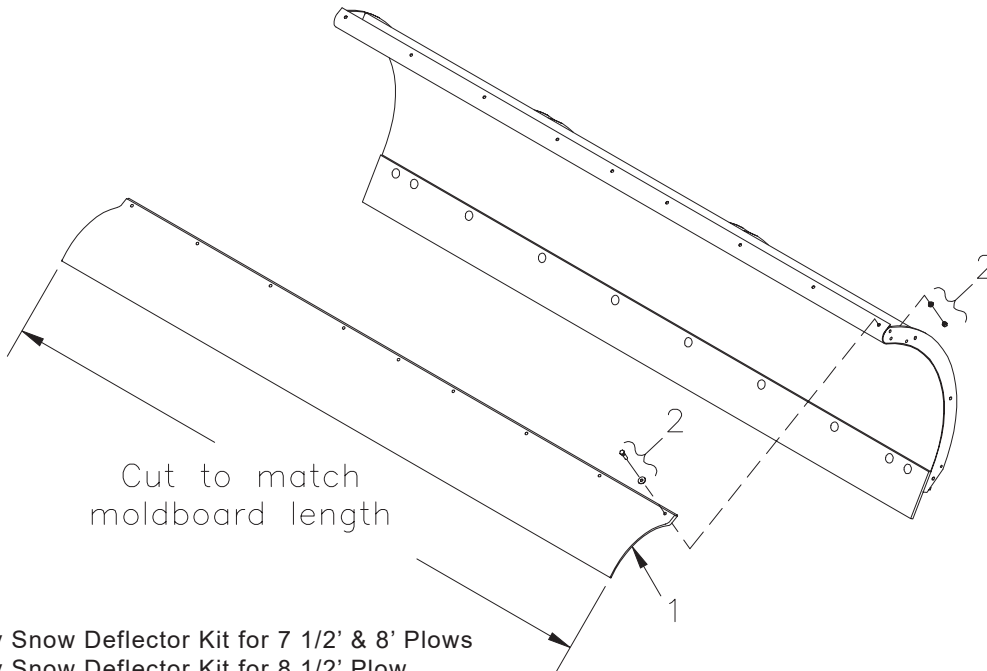


25010523 1 1/2 x 10 Hydraulic Cylinder

DWG. NO. 5185

REF. NO.	PART NUMBER	DESCRIPTION	QTY.	REF. NO.	PART NUMBER	DESCRIPTION	QTY.
1	25010464	Seal Kit	1	3	25010017	Guide Ring	1
2	25010016	Seat Ring	1	4	25010018	Packing Ring	1

**POLY SNOW DEFLECTOR KIT**

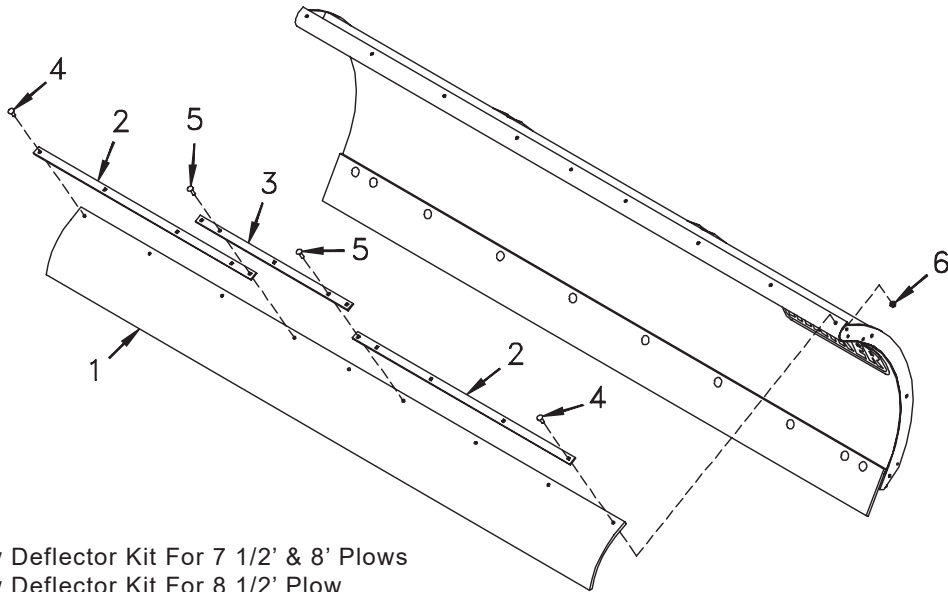


25011789 Poly Snow Deflector Kit for 7 1/2' & 8' Plows  
 25011790 Poly Snow Deflector Kit for 8 1/2' Plow  
 25011983 Poly Snow Deflector Kit for 8 1/2' Plow (Two Extrusion Pieces)

DWG. NO. 5680

REF. NO.	PART NUMBER	DESCRIPTION	QTY.	REF. NO.	PART NUMBER	DESCRIPTION	QTY.
1	25011794	8' Snow Deflector Extrusion	1	2	25011793	Bolt Box, Snow Deflector	1
	25011795	9' Snow Deflector Extrusion	1				
	25011982	4 1/2' Snow Deflector Extrusion	2				

RUBBER SNOW DEFLECTOR KIT

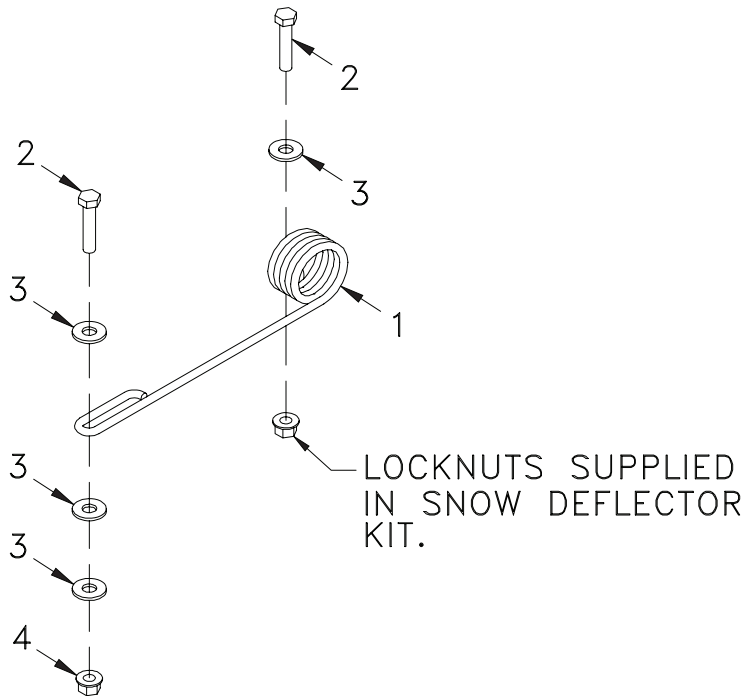


25010262 Snow Deflector Kit For 7 1/2' & 8' Plows  
 25010420 Snow Deflector Kit For 8 1/2' Plow

DWG. NO. 7283

REF. NO.	PART NUMBER	DESCRIPTION	QTY.	REF. NO.	PART NUMBER	DESCRIPTION	QTY.
1	25010312	Snow Deflector (7 1/2' & 8' Plows)	1	4	030-16042	Carriage Bolt 5/16-18 x 1 Gr. 5 (7 1/2' & 8' Plows)	7
	25010434	Snow Deflector (8 1/2' Plow)	1		030-16042	Carriage Bolt 5/16-18 x 1 Gr. 5 (8 1/2' Plow)	8
2	25010313	Outer Strap	2	5	030-16043	Carriage Bolt 5/16-18 x 1 1/4 Gr. 5	2
3	25010314	Inner Strap (7 1/2' & 8' Plows)	1	6	951-005-036	Lock Nut 5/16-18 Mac Lock (7 1/2' & 8' Plows)	9
	25010435	Inner Strap (8 1/2' Plow)	1		951-005-036	Lock Nut 5/16-18 Mac Lock (8 1/2' Plow)	10

SNOW DEFLECTOR SPRING KIT



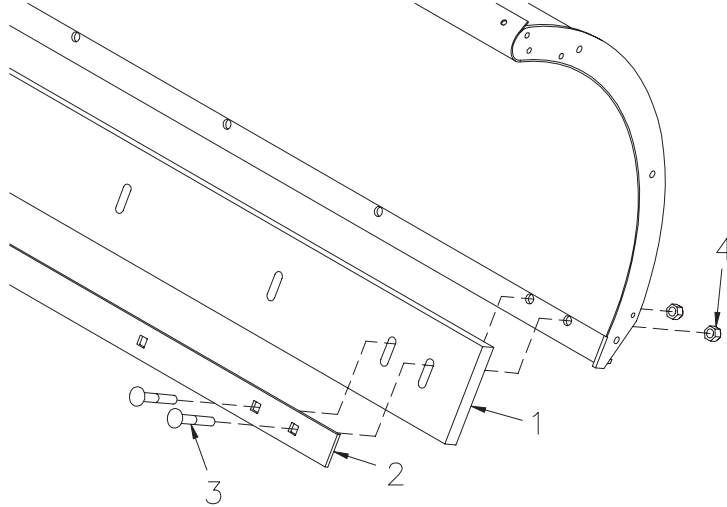
25010417 Snow Deflector Spring Kit

DWG. NO. 5184A

REF. NO.	PART NUMBER	DESCRIPTION	QTY.	REF. NO.	PART NUMBER	DESCRIPTION	QTY.
1	25010414	Helical Torsion Spring	10	3	952-002-002	Flat Washer, 5/16 Inch	40
2	031-06057	Hex Head Cap Screw 5/16-18 x 1 1/2 Gr. 5	20	4	951-005-036	Lock Nut 5/16-18 Mac Lock	10

**SKID STEER STRAIGHT SNOWPLOW**

**RUBBER CUTTING EDGE KITS**

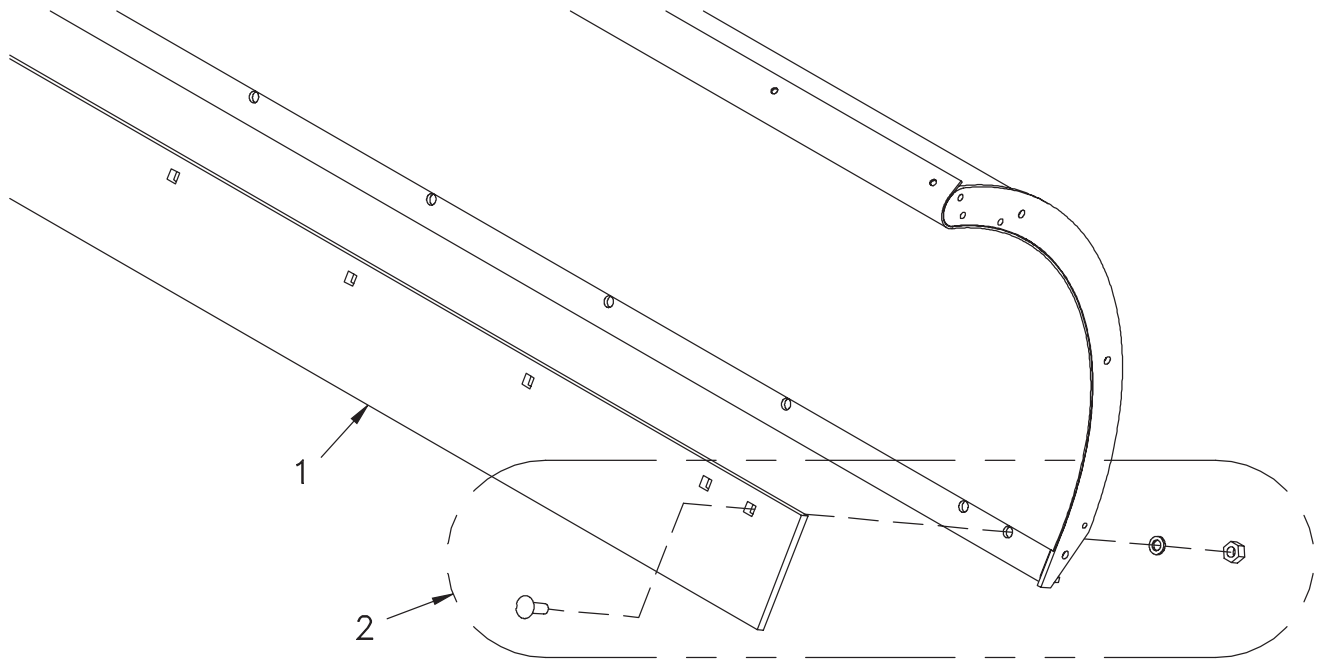


25011698 Rubber Cutting Edge Kit 7 1/2' Plow  
 25011699 Rubber Cutting Edge Kit 8' Plow  
 25011700 Rubber Cutting Edge Kit 8 1/2' Plow

DWG. NO. 7284

REF. NO.	PART NUMBER	DESCRIPTION	QTY.	REF. NO.	PART NUMBER	DESCRIPTION	QTY.
1	25011753	Rubber Cutting Edge, 7 1/2' Plow	1	3	950-003-051	Carriage Bolt 1/2-13 x 2 1/4 Gr. 5 (7 1/2' & 8' Plows)	10
	25011786	Rubber Cutting Edge, 8' Plow	1		950-003-051	Carriage Bolt 1/2-13 x 2 1/4 Gr. 5 (8 1/2' Plow)	11
	25011756	Rubber Cutting Edge, 8 1/2' Plow	1	4	951-003-009	Lock Nut 1/2-13 Nylon Insert (7 1/2' & 8' Plows)	10
2	25011755	Strap, 7 1/2' Plow	1		951-003-009	Lock Nut 1/2-13 Nylon Insert (8 1/2' Plow)	11
	25011788	Strap, 8' Plow	1				
	25011758	Strap, 8 1/2' Plow	1				

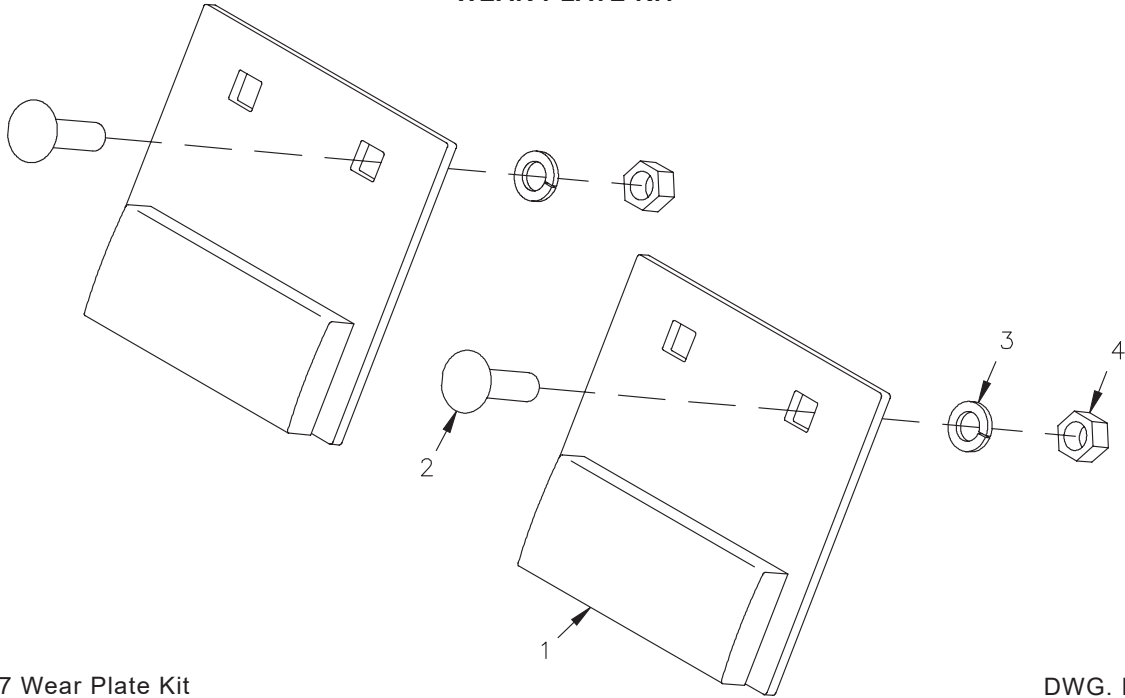
**1/2" THICK CUTTING EDGES**



DWG. NO. 5873

REF. NO.	PART NUMBER	DESCRIPTION	QTY.	REF. NO.	PART NUMBER	DESCRIPTION	QTY.
1	25012034	1/2" Thick Cutting Edge - 7 1/2' Plow	1	2	25011051	Cutting Edge Bolt Kit	1
	25012035	1/2" Thick Cutting Edge - 8' Plow	1				
	25012036	1/2" Thick Cutting Edge - 8 1/2' Plow	1				

WEAR PLATE KIT

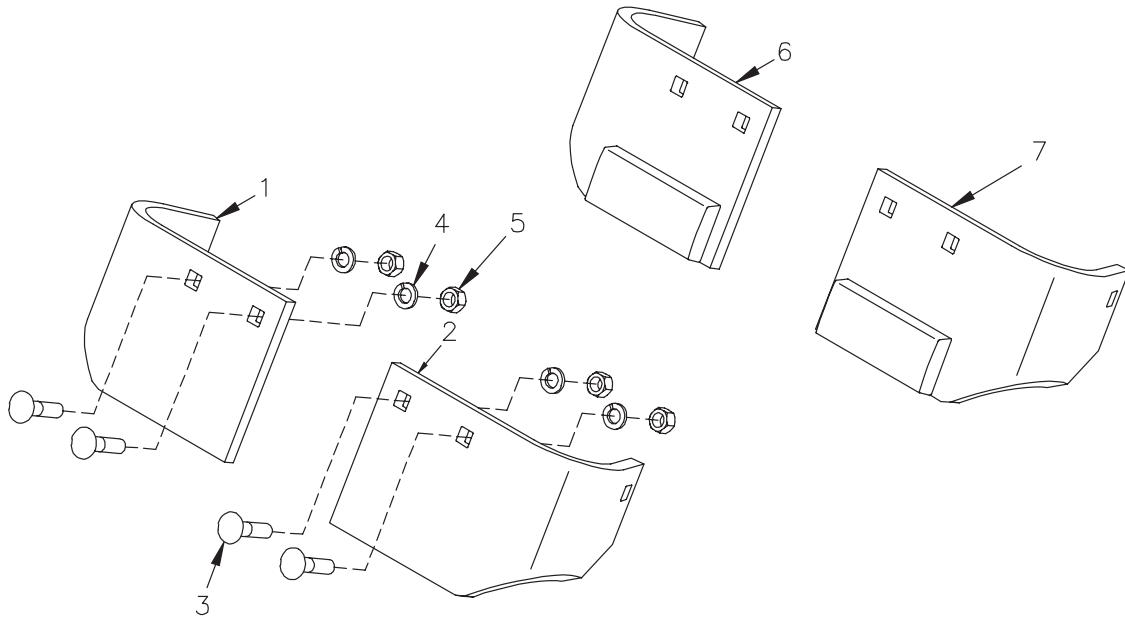


25012587 Wear Plate Kit

DWG. NO. 6331

REF. NO.	PART NUMBER	DESCRIPTION	QTY.	REF. NO.	PART NUMBER	DESCRIPTION	QTY.
1	25012588	Wear Plate Weldment	2	3	952-001-004	Lock Washer 1/2 Inch	4
2	950-003-058	Carriage Bolt 1/2-13 x 1 3/4 Gr. 5	4	4	951-001-007	Hex Nut 1/2-13	4

CURB GUARD KITS



25011695 Curb Guard Kit - Standard

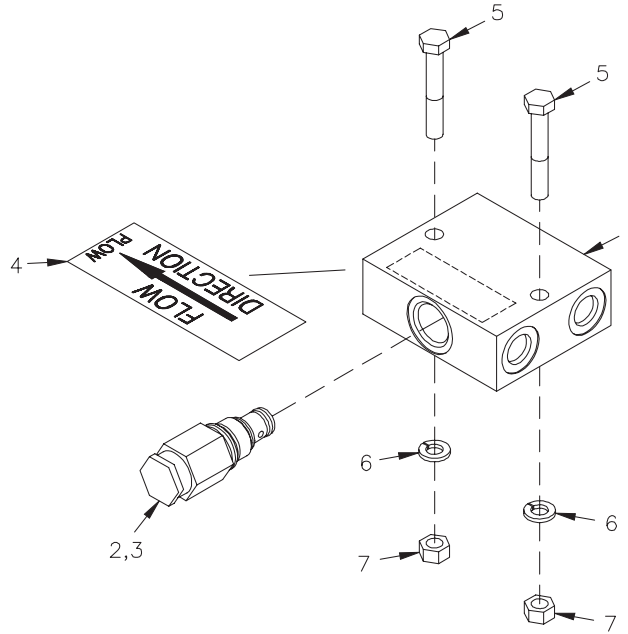
25012726 Curb Guard Kit With Wear Bars

DWG. NO. 5486

REF. NO.	PART NUMBER	DESCRIPTION	QTY.	REF. NO.	PART NUMBER	DESCRIPTION	QTY.
1	25011712	RH Curb Guard - Standard	1	5	951-001-007	Hex Nut 1/2-13	4
2	25011713	LH Curb Guard - Standard	1	6	25012722	RH Curb Guard With Wear Bar	1
3	950-003-051	Carriage Bolt 1/2-13 x 2 1/4 Gr. 5	4	7	25012723	LH Curb Guard With Wear Bar	1
4	952-001-004	Lock Washer 1/2 Inch	4				

SKID STEER STRAIGHT SNOWPLOW

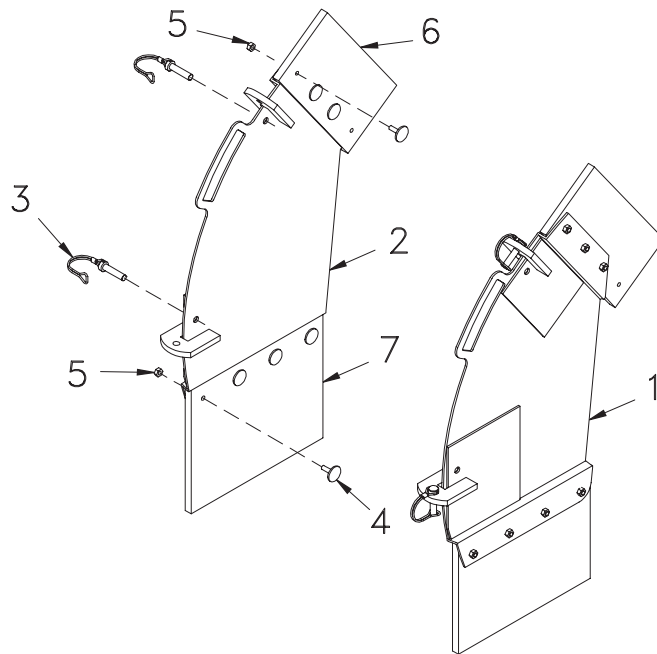
CROSSOVER RELIEF VALVE



DWG. NO. 7156

REF. NO.	PART NUMBER	DESCRIPTION	QTY.	REF. NO.	PART NUMBER	DESCRIPTION	QTY.
1	25012834	Crossover Relief Valve Manifold Assembly	1	5	031-06059	Hex Head Cap Screw 5/16-18 x 2 Gr. 5	2
2	25010985	Crossover Relief Valve Cartridge	1	6	952-001-002	Lock Washer, 5/16 Inch	2
3	25010992	O-Ring Kit	1	7	951-001-004	Hex Nut 5/16-18	2
4	25012535	Label-Flow Direction	1				

WING KIT



25010906 Wing Kit

DWG. NO. 5677

REF. NO.	PART NUMBER	DESCRIPTION	QTY.	REF. NO.	PART NUMBER	DESCRIPTION	QTY.
1	25010845	RH Wing Weldment	1	6	25010841	Upper Wing Rubber	2
2	25010844	LH Wing Weldment	1	7	25010840	Lower Wing Rubber	2
3	25010851	Lynch Pin 3/8 x 1 3/8	4		25010852	RH Wing Assembly	1
4	950-011-051	Elevator Bolt 1/4-20 x 1"	14		25010853	LH Wing Assembly	1
5	951-001-003	Hex Nut 1/4-20	14				