

SECTION 2 SNOW PUSHER

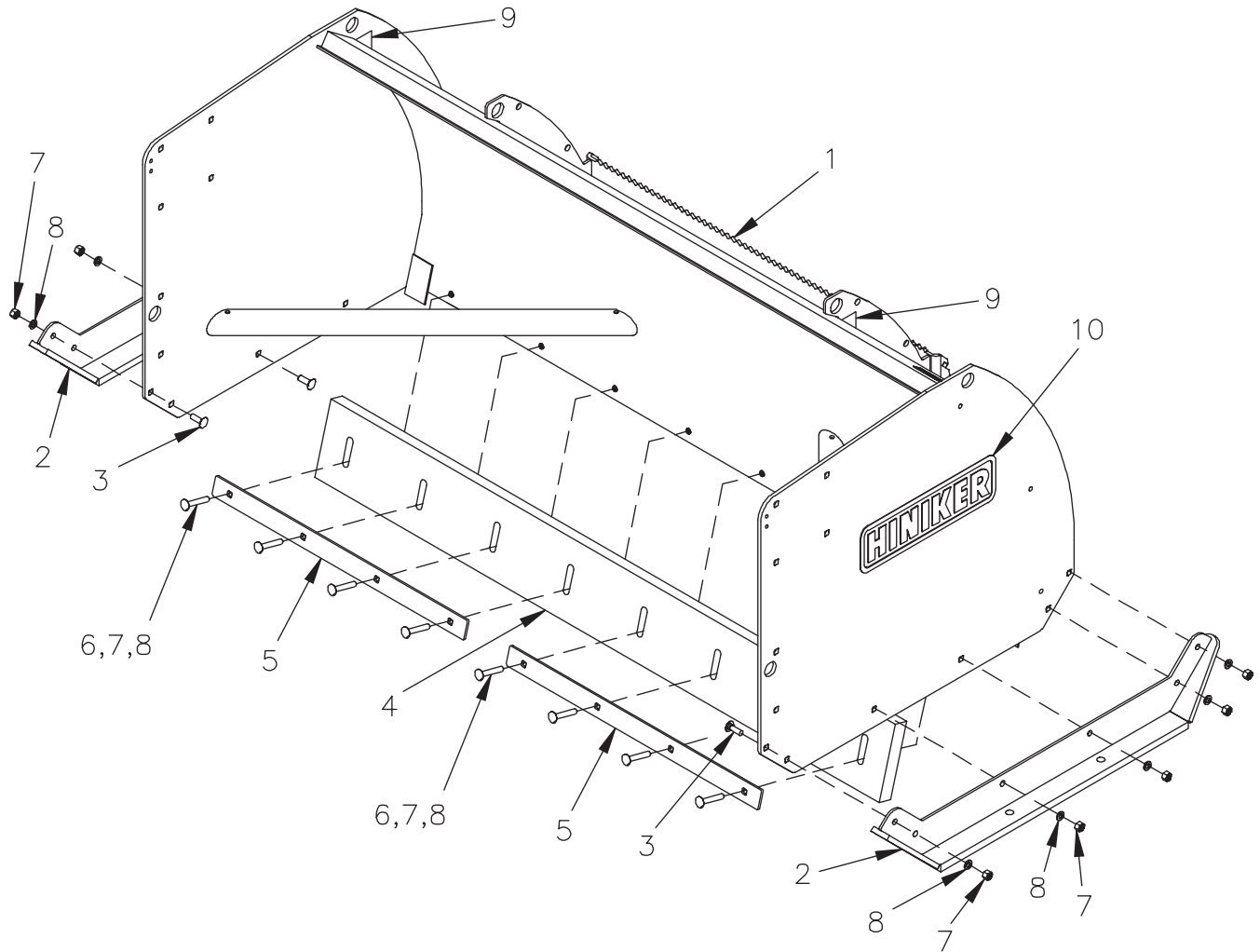
MODELS: 3607, 3608, 3610

PAGE 2	7 FOOT PUSHER ASSEMBLY
PAGE 3	8 FOOT PUSHER ASSEMBLY
PAGE 4	10 FOOT PUSHER ASSEMBLY
PAGE 5	7 FOOT PULLBACK ASSEMBLY
PAGE 6	8 FOOT PULLBACK ASSEMBLY
PAGE 7	10 FOOT PULLBACK ASSEMBLY

SKID STEER LOADER SNOW PUSHER

7 FOOT PUSHER ASSEMBLY

SECTION 2



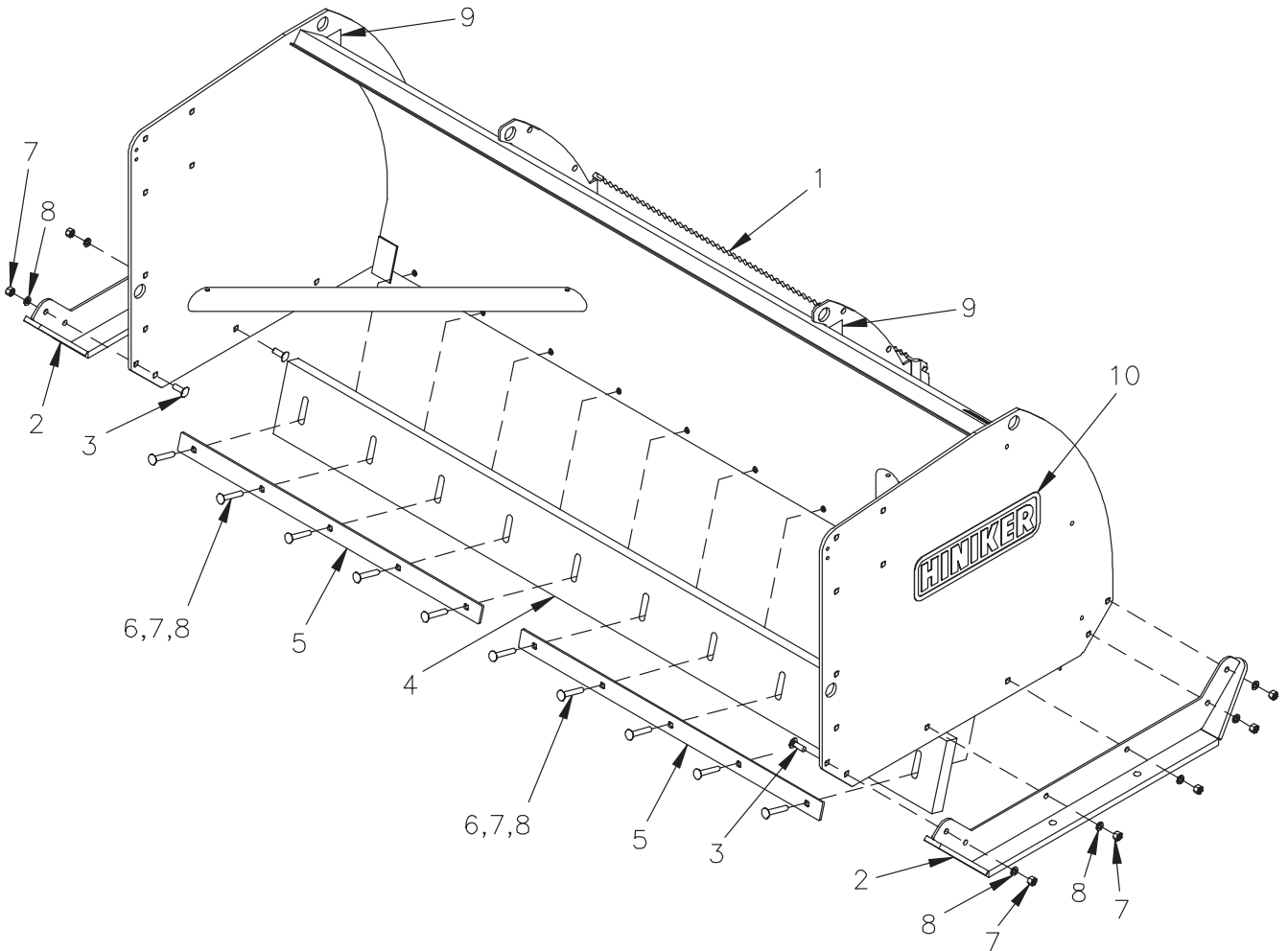
DWG. NO. 7592

REF. NO.	PART NUMBER	DESCRIPTION	QTY.	REF. NO.	PART NUMBER	DESCRIPTION	QTY.
1	27000048	7 Ft. Snow Pusher Weldment	1	6	030-16138	Carriage Bolt 1/2-13 x 3 Gr. 5	8
2	27000035	Wear Shoe Weldment	2	7	951-001-007	Hex Nut 1/2-13	20
3	030-16132	Carriage Bolt 1/2-13 x 1 1/2 Gr. 5	12	8	952-001-004	Lock Washer 1/2 Inch	20
4	27000047	Scraper Blade Rubber 7 Ft.	1	9	715-030174	Decal, Lift Here	4
5	27000046	Bolting Strip Scraper Blade	2	10	79202024	Decal, Hiniker	2

SKID STEER LOADER SNOW PUSHER

8 FOOT PUSHER ASSEMBLY

SECTION 2



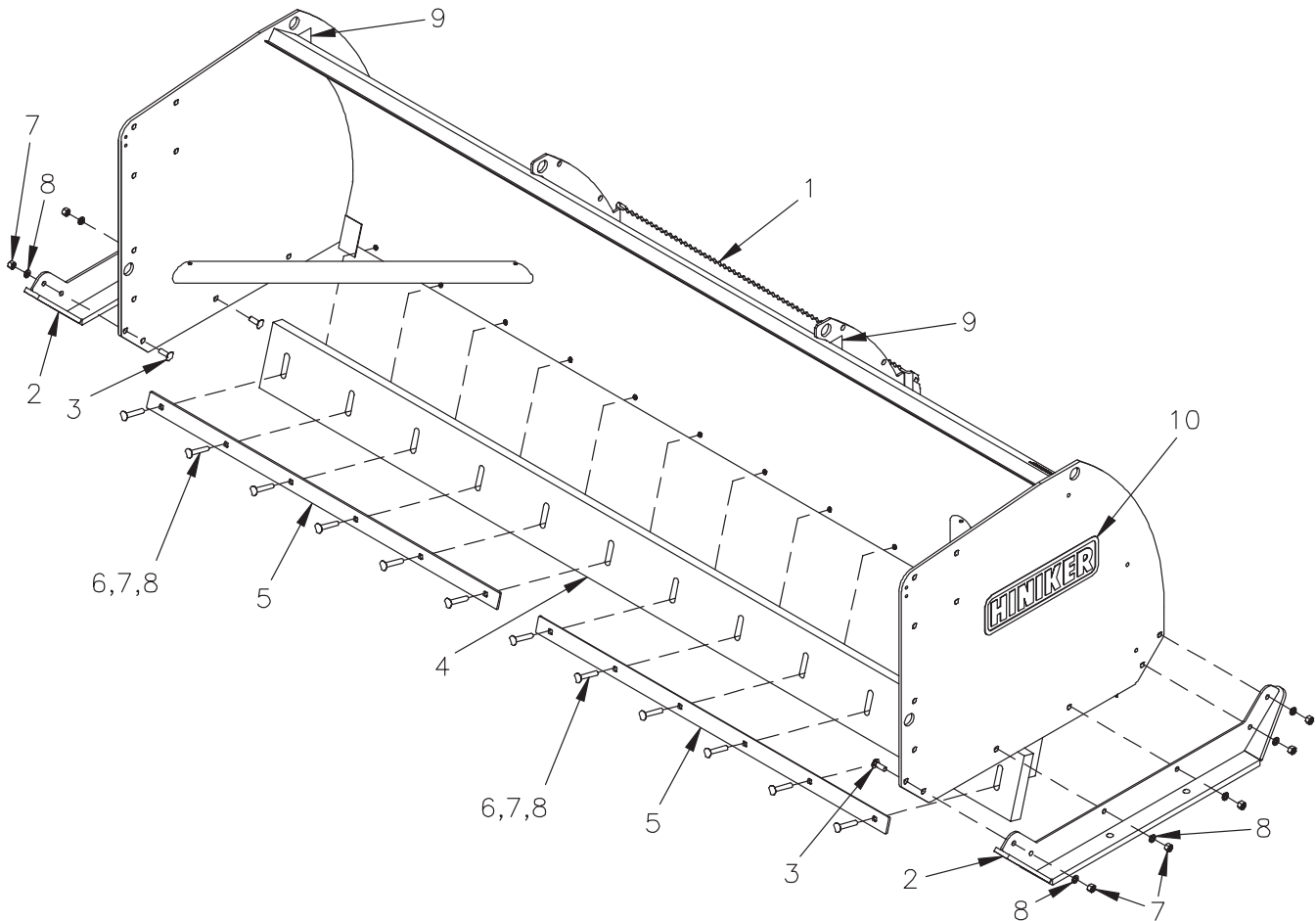
DWG. NO. 7535

REF. NO.	PART NUMBER	DESCRIPTION	QTY.	REF. NO.	PART NUMBER	DESCRIPTION	QTY.
1	27000014	8 Ft. Snow Pusher Weldment	1	6	030-16138	Carriage Bolt 1/2-13 x 3 Gr. 5	10
2	27000035	Wear Shoe Weldment	2	7	951-001-007	Hex Nut 1/2-13	22
3	030-16132	Carriage Bolt 1/2-13 x 1 1/2 Gr. 5	12	8	952-001-004	Lock Washer 1/2 Inch	22
4	27000027	Scraper Blade Rubber 8 Ft.	1	9	715-030174	Decal, Lift Here	4
5	27000029	Bolting Strip Scraper Blade	2	10	79202024	Decal, Hiniker	2

SKID STEER LOADER SNOW PUSHER

10 FOOT PUSHER ASSEMBLY

SECTION 2



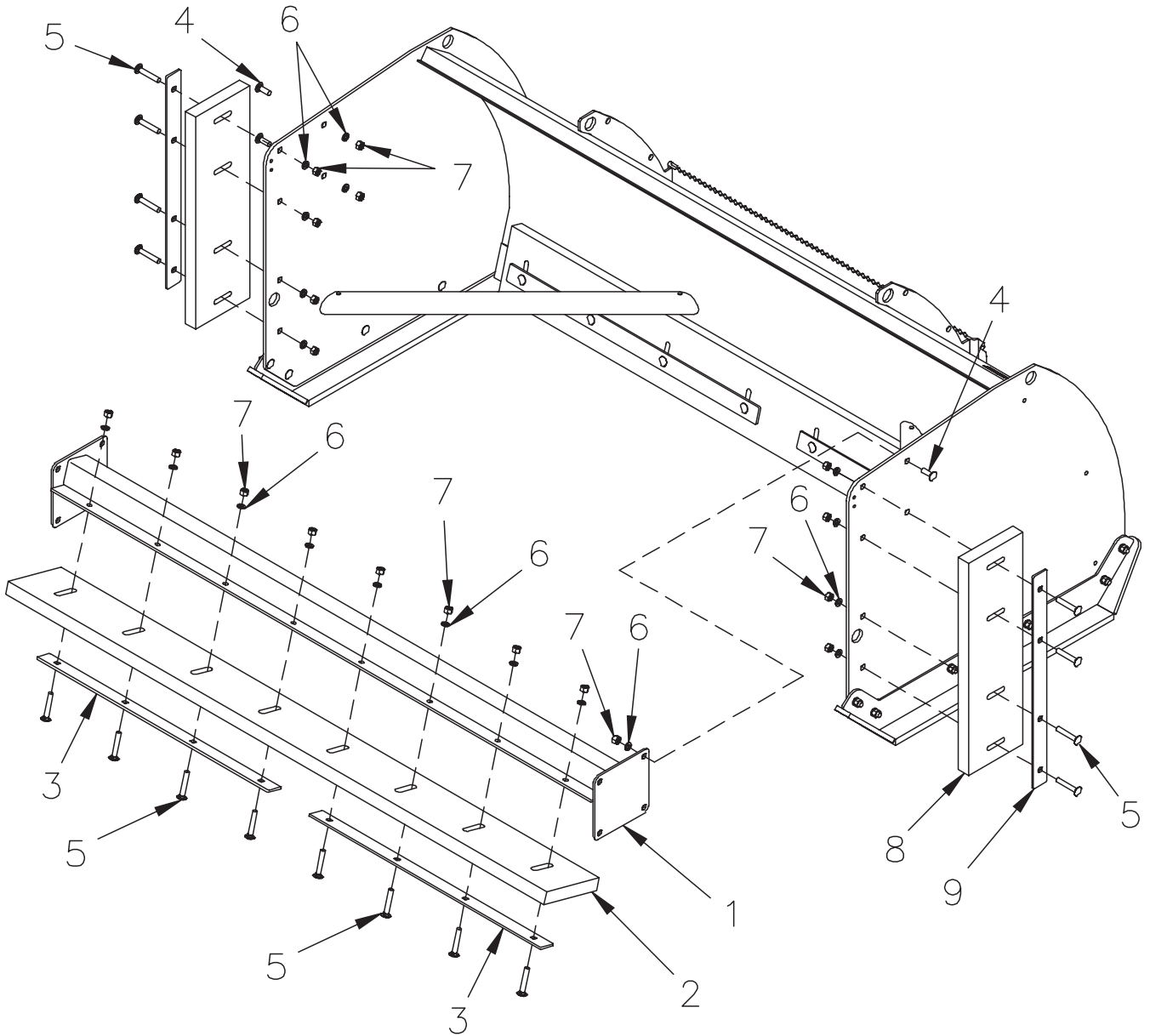
DWG. NO. 7536

REF. NO.	PART NUMBER	DESCRIPTION	QTY.	REF. NO.	PART NUMBER	DESCRIPTION	QTY.
1	27000015	10 Ft. Snow Pusher Weldment	1	6	030-16138	Carriage Bolt 1/2-13 x 3 Gr. 5	12
2	27000035	Wear Shoe Weldment	2	7	951-001-007	Hex Nut 1/2-13	24
3	030-16132	Carriage Bolt 1/2-13 x 1 1/2 Gr. 5	12	8	952-001-004	Lock Washer 1/2 Inch	24
4	27000028	Scraper Blade Rubber 10 Ft.	1	9	715-030174	Decal, Lift Here	4
5	27000034	Bolting Strip Scraper Blade	2	10	79202024	Decal, Hiniker	2

SKID STEER LOADER SNOW PUSHER

7 FOOT PULLBACK ASSEMBLY

SECTION 2



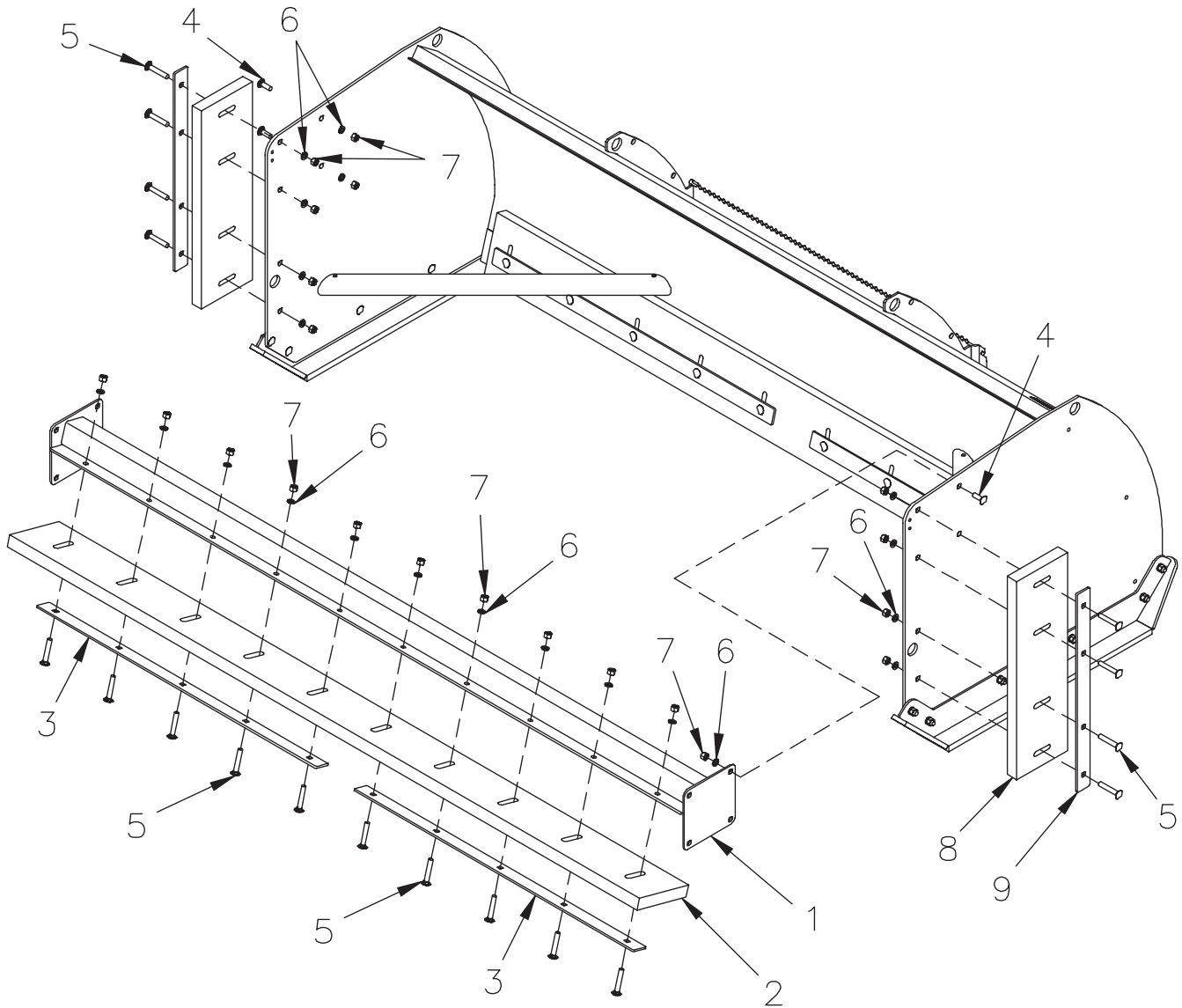
DWG. NO. 7593

REF. NO.	PART NUMBER	DESCRIPTION	QTY.	REF. NO.	PART NUMBER	DESCRIPTION	QTY.
1	27000051	Pullback Scraper Weldment 7 Ft.	1	6	952-001-004	Lock Washer 1/2 Inch	20
2	27000054	Scraper Blade Rubber 7 Ft.	1	7	951-001-007	Hex Nut 1/2-13	20
3	27000046	Bolting Strip Scraper Blade	2	8	27000026	Scraper Blade Rubber	2
4	030-16132	Carriage Bolt 1/2-13 x 1 1/2 Gr. 5	4	9	27000025	Bolting Strip	2
5	030-16138	Carriage Bolt 1/2-13 x 3 1/2 Gr. 5	16				

SKID STEER LOADER SNOW PUSHER

8 FOOT PULLBACK ASSEMBLY

SECTION 2



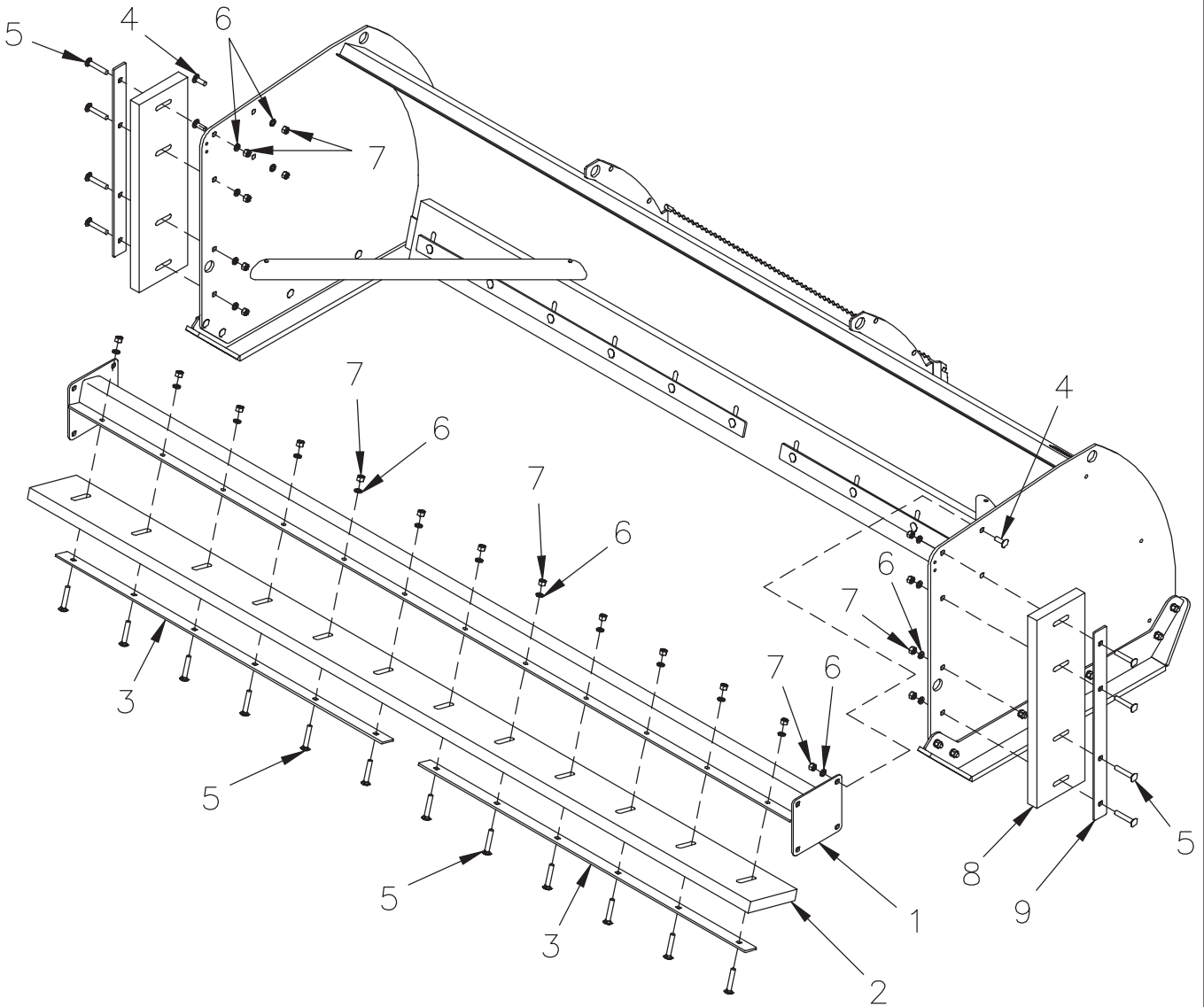
DWG. NO. 7537

REF. NO.	PART NUMBER	DESCRIPTION	QTY.	REF. NO.	PART NUMBER	DESCRIPTION	QTY.
1	27000021	Pullback Scraper Weldment 8 Ft.	1	6	952-001-004	Lock Washer 1/2 Inch	22
2	27000030	Scraper Blade Rubber 8 Ft.	1	7	951-001-007	Hex Nut 1/2-13	22
3	27000029	Bolting Strip Scraper Blade	2	8	27000026	Scraper Blade Rubber	2
4	030-16132	Carriage Bolt 1/2-13 x 1 1/2 Gr. 5	4	9	27000025	Bolting Strip	2
5	030-16138	Carriage Bolt 1/2-13 x 3 1/2 Gr. 5	18				

SKID STEER LOADER SNOW PUSHER

10 FOOT PULLBACK ASSEMBLY

SECTION
2



DWG. NO. 7538

REF. NO.	PART NUMBER	DESCRIPTION	QTY.	REF. NO.	PART NUMBER	DESCRIPTION	QTY.
1	27000024	Pullback Scraper Weldment 10 Ft.	1	6	952-001-004	Lock Washer 1/2 Inch	24
2	27000033	Scraper Blade Rubber 10 Ft.	1	7	951-001-007	Hex Nut 1/2-13	24
3	27000034	Bolting Strip Scraper Blade	2	8	27000026	Scraper Blade Rubber	2
4	030-16132	Carriage Bolt 1/2-13 x 1 1/2 Gr. 5	4	9	27000025	Bolting Strip	2
5	030-16138	Carriage Bolt 1/2-13 x 3 1/2 Gr. 5	20				

