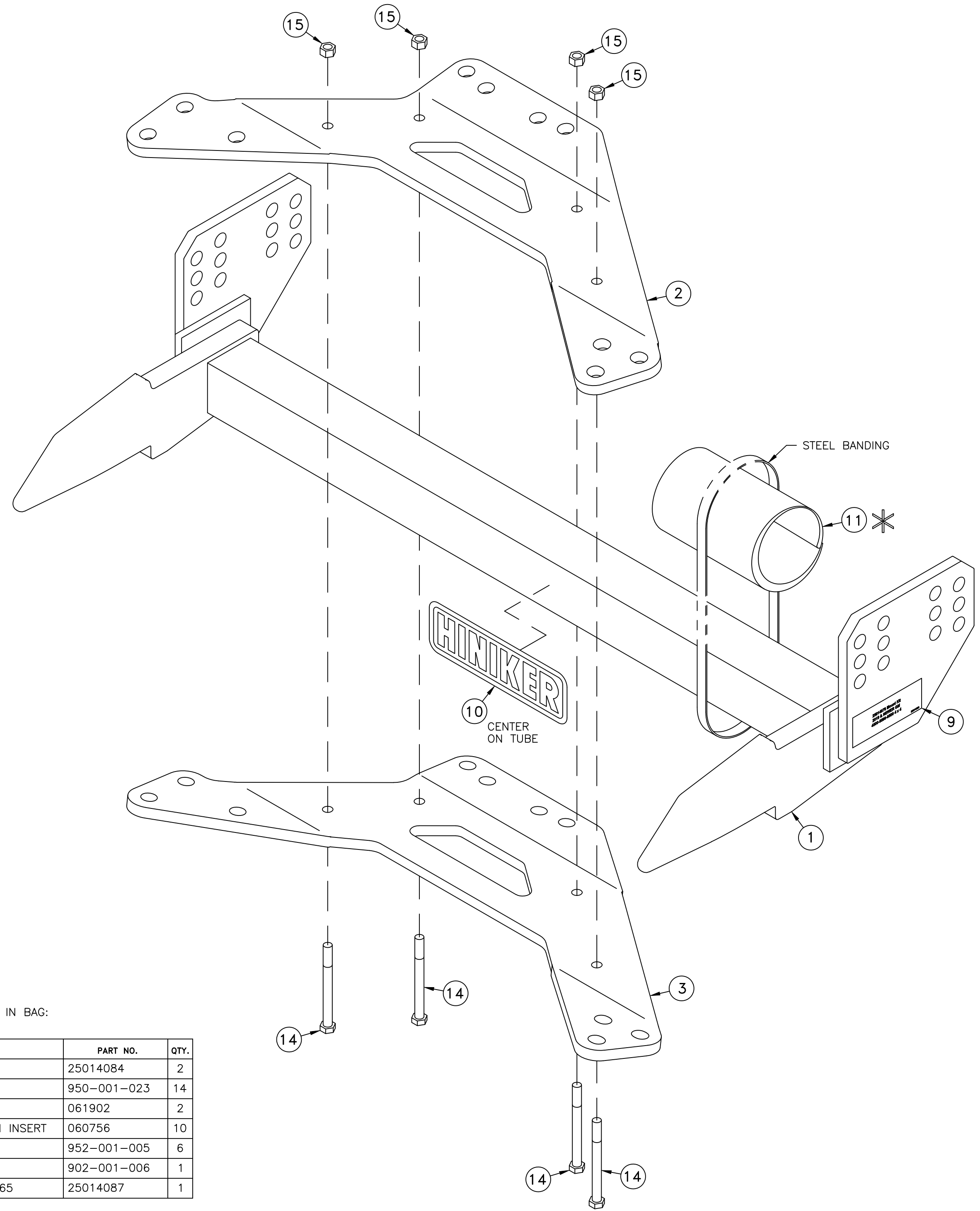


REV.	ECO NO.	DATE	BY	DESCRIPTION	CK. BY
A	8603	3-25-20	CH	ADD: 950-001-084, 951-001-005...	



NO.	PART NAME	PART NO.	QTY.	DWG. SIZE
	BOLT BAG	25014088	0	~
15	HEX NUT 3/8-16	951-001-005	4	~
14	HHCS 3/8-16 X 4 GR. 5	950-001-084	4	~
13	INST SHT/MT KIT GM 45-65	25014087	1	I
12	BAG 9 X 12 ZIP LOCK	902-001-006	1	~
11	BAG POLY WOVEN 12 X 20	902-001-012	1	A
10	ID LABEL GM 45-65 19&NWR 4WD	25014085	1	A
9	HINIKER DECAL	25010008	1	B
8	LOCK WASHER 5/8 INCH	952-001-005	6	~
7	LOCK NUT 5/8-11 NYLON INSERT	060756	10	~
6	HHCS 5/8-11 X 4 GR. 8	061902	2	~
5	HHCS 5/8-11 X 2 GR. 5	950-001-023	14	~
4	NUT PLATE	25014084	2	A
3	RH BRACKET 4WD	25014083	1	C
2	LH BRACKET 4WD	25014082	1	C
1	PRONG WELDMENT	25012929	1	B

REMOVE ALL SHARP CORNERS AND BURRS.
TOLERANCE UNLESS OTHERWISE SPECIFIED.
FRACTIONS ±1/32
DECIMALS ±.005
ANGLES ±1°
WELD ASSY. ±1/16

G45-102

HINIKER COMPANY MANKATO, MN 56001

MATERIAL	DRAWN BY	DATE	
	CH	8-28-19	
	CHECKED BY	DATE	
DK	9-9-19		
APPROVED BY	DATE		
	CAD NO.	RELEASED ECO NO.	DATE
	25014078	8583	9-30-19

TITLE MT KT OP GM 19 & NWR 45-65 4WD QH2

SCALE 1/4"=1"	PART NO.	REV.
	25014078	A

NOTE:

* = PARTS INCLUDED IN BAG:

NO.	PART NAME	PART NO.	QTY.
4	NUT PLATE	25014084	2
5	HHCS 5/8-11 X 2 GR. 5	950-001-023	14
6	HHCS 5/8-11 X 4 GR. 8	061902	2
7	LOCK NUT 5/8-11 NYLON INSERT	060756	10
8	LOCK WASHER 5/8 INCH	952-001-005	6
12	BAG 9 X 12 ZIP LOCK	902-001-006	1
13	INST SHT/MT KIT GM 45-65	25014087	1