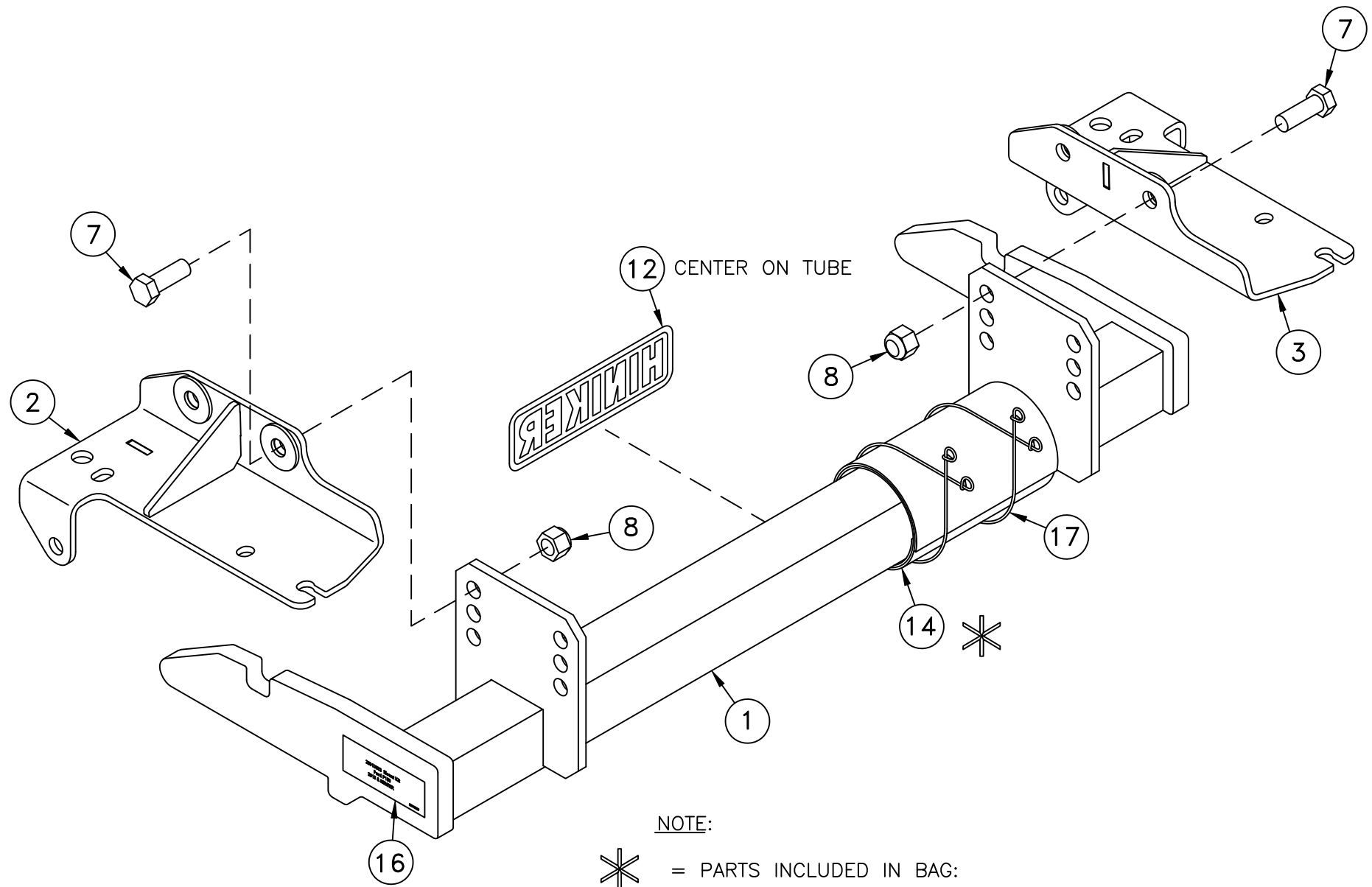


REV.	ECO NO.	DATE	BY	DESCRIPTION	CK. BY
------	---------	------	----	-------------	--------



NOTE:
* = PARTS INCLUDED IN BAG:

NO.	PART NAME	PART NO.	QTY.
4	SPACER BUSHING WELDMENT	25013556	2
5	NUT BAR WELDMENT	25013557	2
6	HHCS 5/8-11 X 5 GR. 5	950-001-148	2
7	HHCS 5/8-11 X 1 3/4 GR. 5	950-001-132	2
8	LOCK NUT 5/8-11 NYLON INSERT	060756	4
9	HHCS 1/2-13 X 1 1/4 GR. 5	950-001-111	2
10	LOCK WASHER 1/2 INCH	952-001-004	2
11	FLAT WASHER, 1/2 INCH HARDENED	952-004-067	2
13	INSTR SHT/MT KIT FD F150 '15	25013558	1
15	BAG 9 X 12 ZIP LOCK	902-001-006	1

	BOLT BAG/MT KIT FD F150 04-10	25013560	0	M
17	WIRE SHIPPING TIE	81003190	2	A
16	ID LABEL FORD F150 '15 & NEWER	25013559	1	A
15	BAG 9 X 12 ZIP LOCK	902-001-006	1	~
14	BAG 12 X 20 POLY WOVEN	902-001-012	1	A
13	INST SHT/MT KIT FD F150 '15	25013558	1	I
12	DECAL HINIKER	25010008	1	B
11	FLAT WASHER, 1/2 INCH HARDENED	952-004-067	2	A
10	LOCK WASHER 1/2 INCH	952-001-004	2	~
9	HHCS 1/2-13 X 1 1/4 GR. 5	950-001-111	2	~
8	LOCK NUT 5/8-11 NYLON INSERT	060756	6	~
7	HHCS 5/8-11 X 1 3/4 GR. 5	950-001-132	4	~
6	HHCS 5/8-11 X 5 GR. 5	950-001-148	2	~
5	NUT BAR WELDMENT	25013557	2	A
4	SPACER BUSHING WELDMENT	25013556	2	A
3	RH BRACKET WELDMENT	25013555	1	B
2	LH BRACKET WELDMENT	25013554	1	B
1	PRONG WELDMENT	25010491	1	B
NO.	PART NAME	PART NO.	QTY.	DWG. SIZE

REMOVE ALL SHARP CORNERS AND BURRS.
TOLERANCE UNLESS OTHERWISE SPECIFIED.
FRACTIONS ±1/32
DECIMALS ±.005
ANGLES ±1°
WELD ASSY. ±1/16

FMC-309
HINIKER COMPANY MANKATO, MN 56001

MATERIAL	DRAWN BY CH	DATE 9-16-15
	CHECKED BY	DATE
	APPROVED BY	DATE
CAD NO. FMC-309	RELEASED ECO NO. 8218	DATE

TITLE MT KIT OPT FORD F150 2015 & NEWER

SCALE 1/6"=1"	PART NO. 25013553	REV.
------------------	----------------------	------

PART NO.
25013553