

# SECTION 16

# TOOLS, PAINT AND

# ACCESSORIES

<b>PAGE 2</b>	<b>HYDRAULIC OIL</b>
	<b>SNOW PLOW EMERGENCY PARTS KIT</b>
<b>PAGE 3</b>	<b>SNOWPLOW TESTER</b>
	<b>TOUCH UP PAINT</b>
<b>PAGE 4</b>	<b>DRILL BIT EXTENSION</b>
	<b>SPRING COMPRESSOR SERVICE KIT</b>
<b>PAGE 5</b>	<b>CINCH STRAP KIT</b>
	<b>STOP PLATE KIT</b>
<b>PAGE 6</b>	<b>REPLACEMENT PIGTAILS- SURE SEAL GRILL PLUGS</b>
	<b>ELECTRICAL PIN REPAIR KIT- SURE SEAL GRILL PLUGS</b>
<b>PAGE 7</b>	<b>REPLACEMENT PIGTAILS- CPC GRILL PLUGS</b>
	<b>ELECTRICAL PIN REPAIR KIT- CPC GRILL PLUGS</b>
<b>PAGE 8</b>	<b>GRILL MOUNT PLATE KIT - SURE SEAL AND CPC</b>
	<b>LED HEADLAMPS</b>

TOOLS, PAINT AND ACCESSORIES

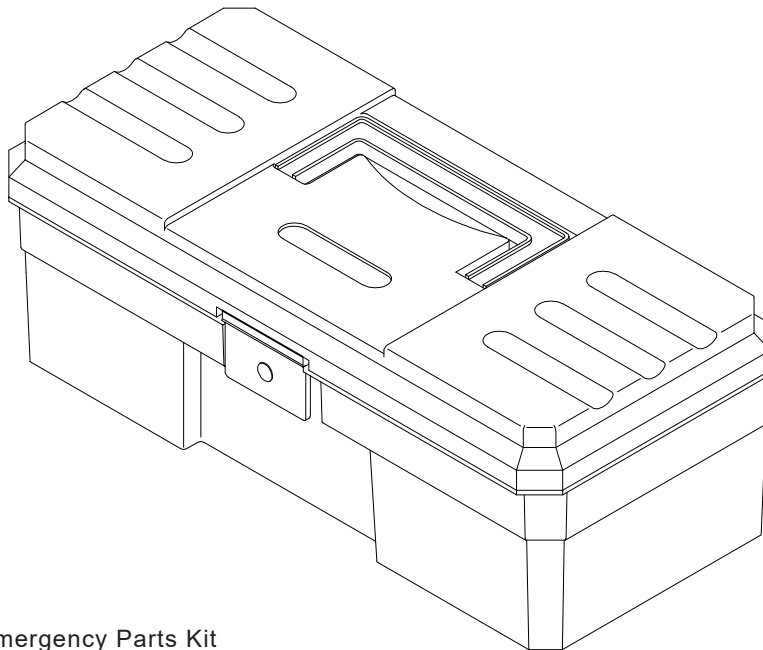
HYDRAULIC OIL



DWG. NO. 5687

REF. NO.	PART NUMBER	DESCRIPTION	QTY.	REF. NO.	PART NUMBER	DESCRIPTION	QTY.
1	25011320	1 Quart Hydraulic Fluid	A/R		25012812	1 Gallon Hydraulic Fluid	A/R
	25011321	1 Case Hydraulic Fluid - (12) 1 Quart Bottles	A/R		25012813	1 Case Hydraulic Fluid - (4) 1 Gallon Jugs	A/R

SNOW PLOW EMERGENCY PARTS KIT



25011819 Snowplow Emergency Parts Kit

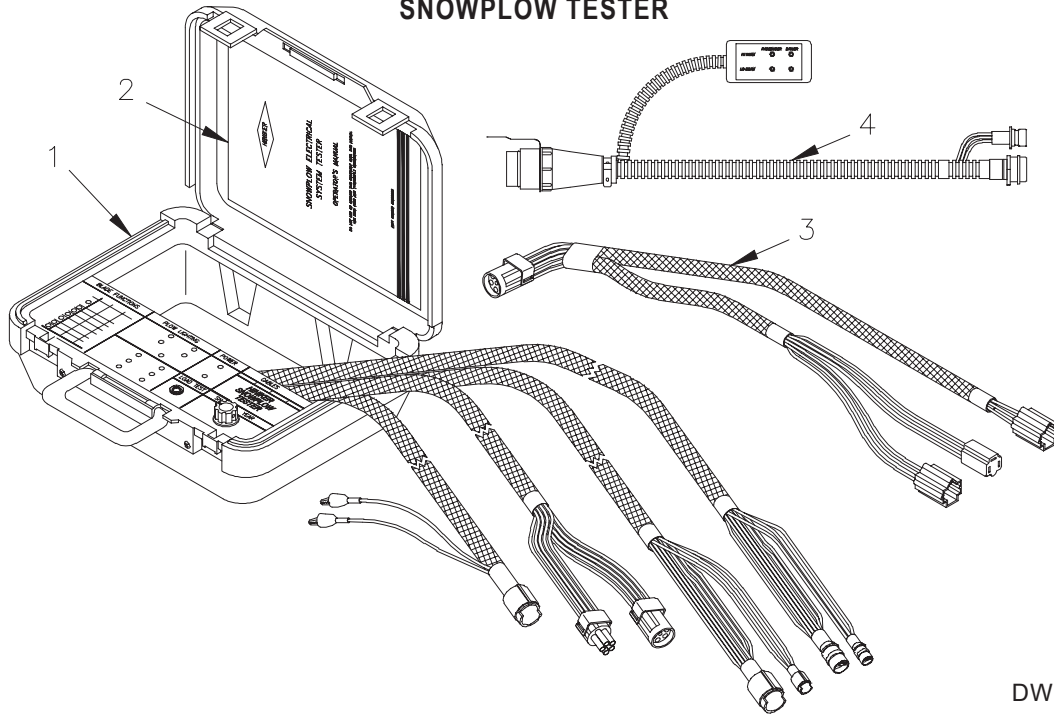
DWG. NO. 5688A

REF. NO.	PART NUMBER	DESCRIPTION	QTY.	REF. NO.	PART NUMBER	DESCRIPTION	QTY.
1	25010797	Tab Lock Pin	1	6	38350010	Relay, 40A, 12V	1
2	25011320	1 Qt Hydraulic Fluid	1	7	38813073	14" Ground Wire	1
3	25014119	Coil Assembly 10V	1	8	703-00209	Klik Pin	1
4	25011818	Toolbox	1	9	957-021-000	Hydraulic Hose 1/4 X 66"	1
5	367-001-011	Cable Tie 14 Inch	5				

SEC  
16

TOOLS, PAINT AND ACCESSORIES

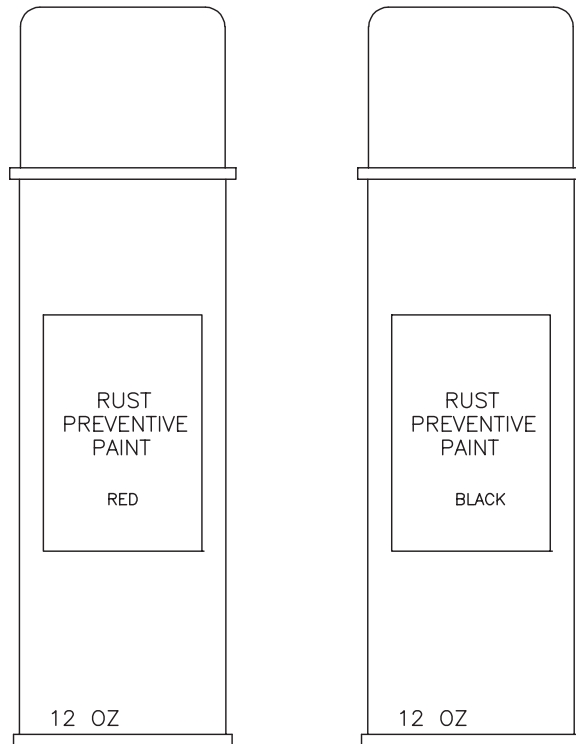
SNOWPLOW TESTER



DWG. NO. 5715

REF. NO.	PART NUMBER	DESCRIPTION	QTY.	REF. NO.	PART NUMBER	DESCRIPTION	QTY.
1	36014014	Snowplow Tester (Includes Manual & Adapter)	1	3	38813062	Cable Tester Adapter	1
2	39300022	Snowplow Test Manual	1	4	38813105	Snowplow Tester CPC Adapter	1

TOUCH UP PAINT



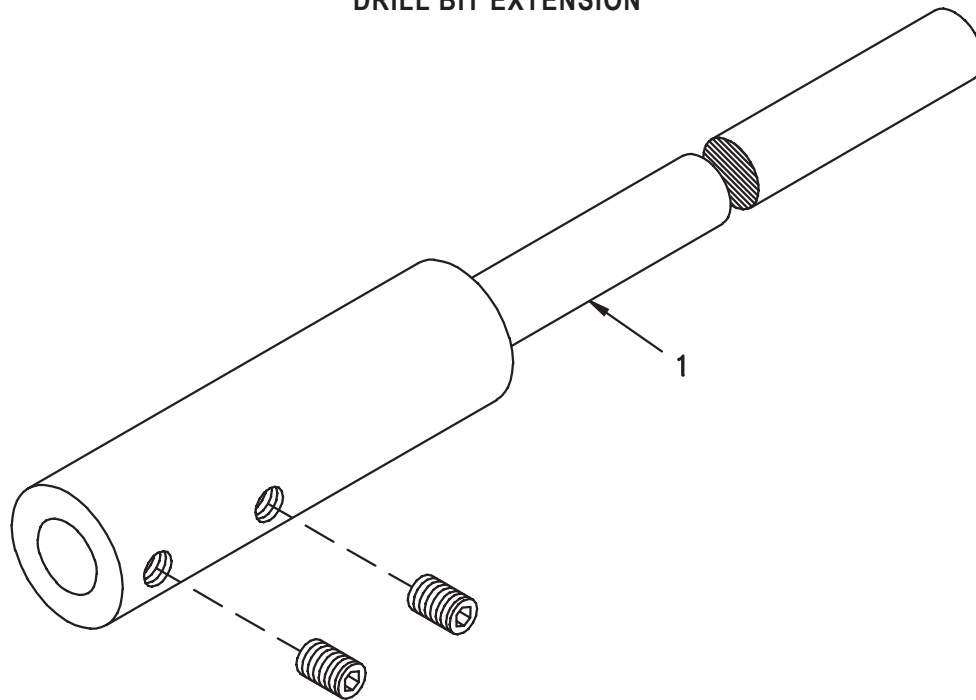
DWG. NO. 5737

REF. NO.	PART NUMBER	DESCRIPTION	QTY.	REF. NO.	PART NUMBER	DESCRIPTION	QTY.
1	921-001-416	Red Touch Up Paint	1	2	921-001-414	Black Touch Up Paint	1

SEC 16

TOOLS, PAINT AND ACCESSORIES

DRILL BIT EXTENSION

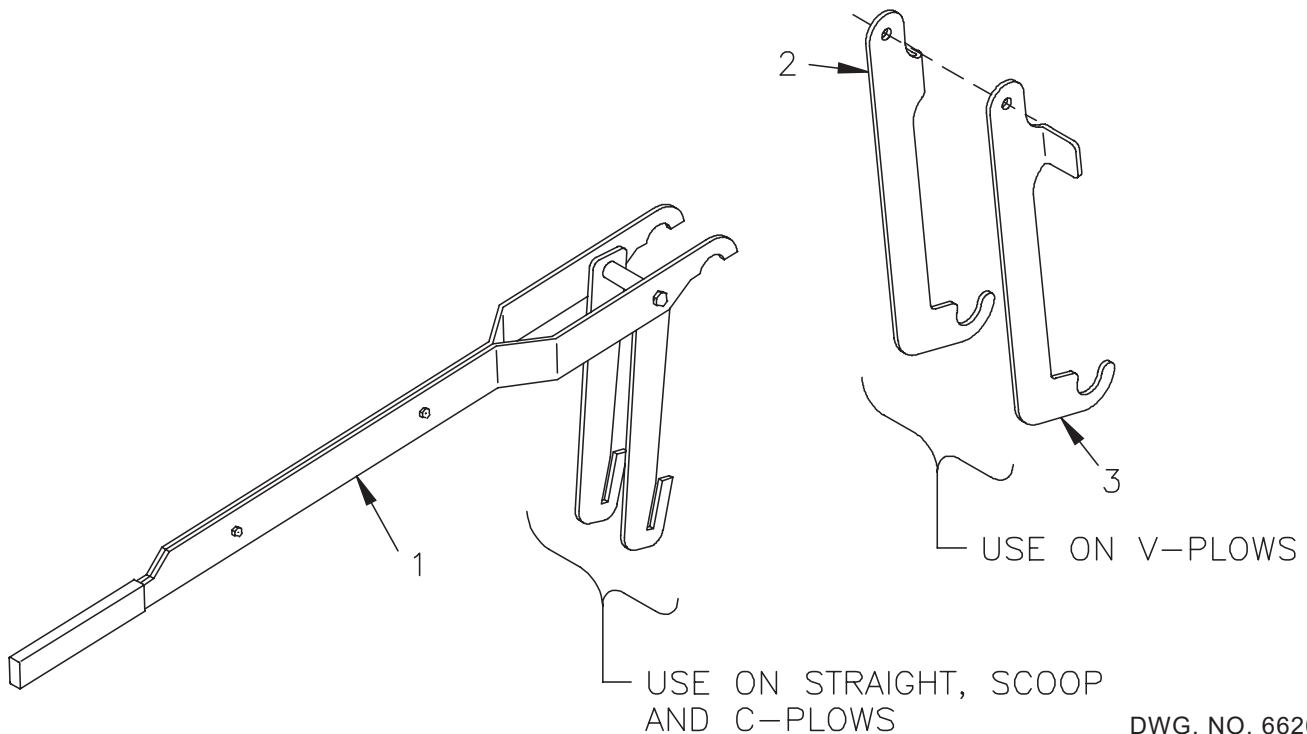


DWG. NO. 5744

REF. NO.	PART NUMBER	DESCRIPTION	QTY.	REF. NO.	PART NUMBER	DESCRIPTION	QTY.
1	25010552	Drill Bit Extension Assembly (Used With Ford Mount Kit 25010958)	1				

SPRING COMPRESSOR SERVICE KIT

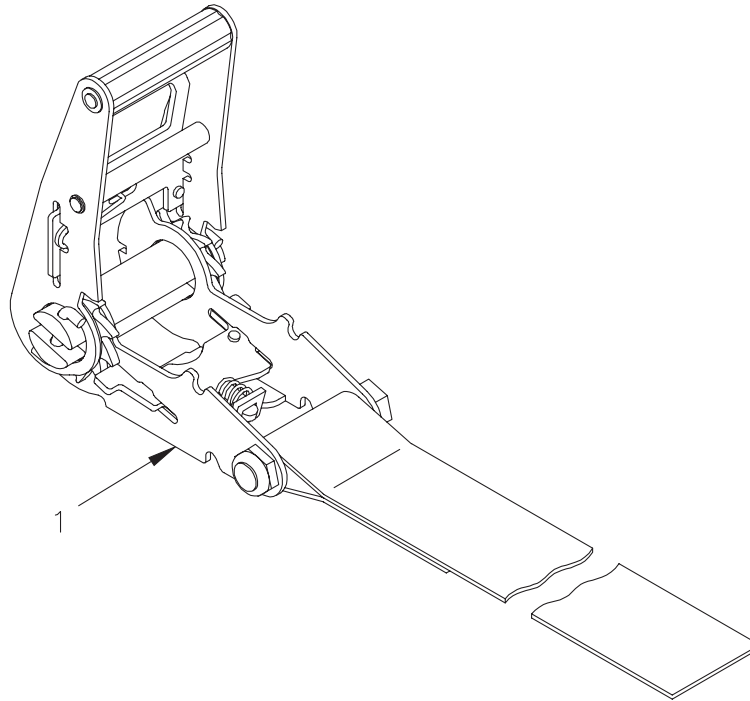
SEC 16



DWG. NO. 6626

REF. NO.	PART NUMBER	DESCRIPTION	QTY.	REF. NO.	PART NUMBER	DESCRIPTION	QTY.
1	25011496	Spring Compressor Service Kit (Includes Items 2 & 3)	1	3	25012772	RH Bottom Link, V-Plow	1
2	25012773	LH Bottom Link, V-Plow	1				

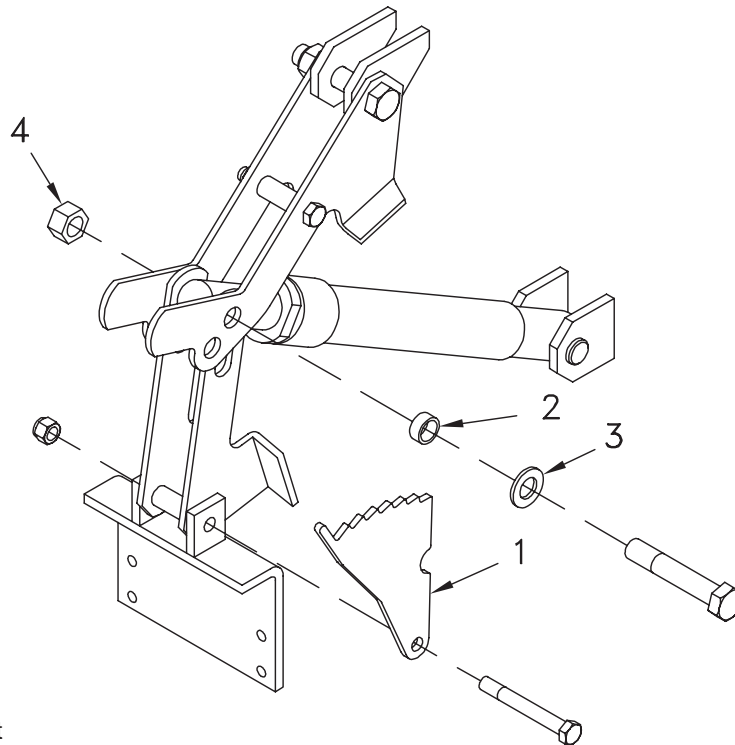
CINCH STRAP KIT



DWG. NO. 6532

REF. NO.	PART NUMBER	DESCRIPTION	QTY.	REF. NO.	PART NUMBER	DESCRIPTION	QTY.
1	25012670	Cinch Strap Kit	1				

STOP PLATE KIT



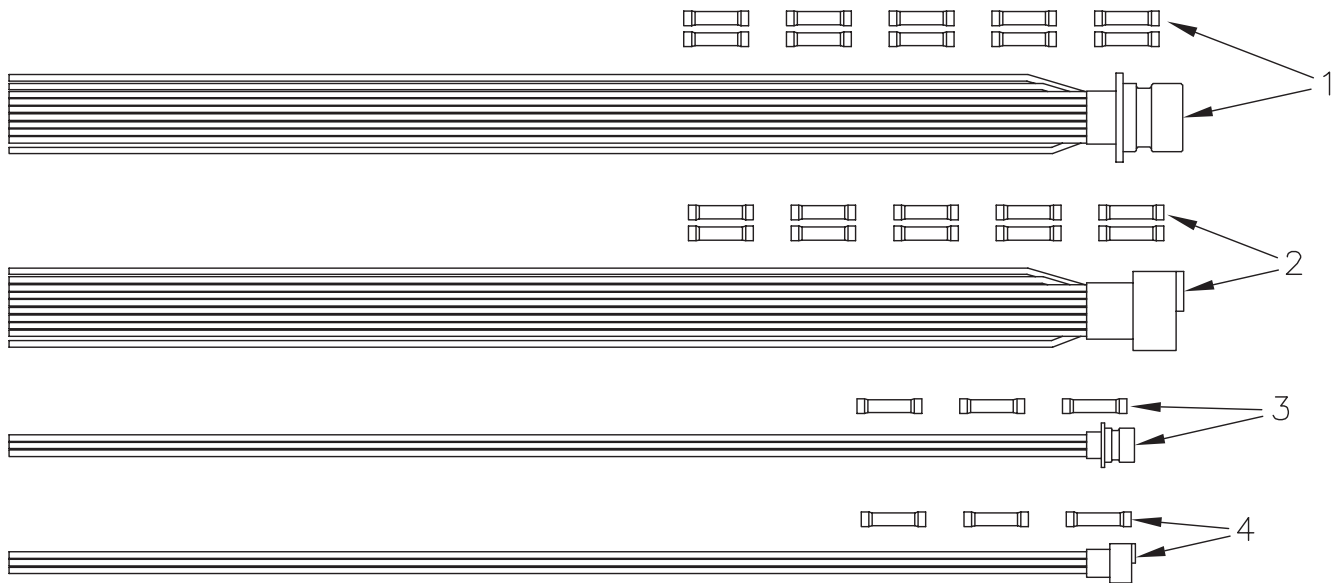
25011986 Stop Plate Kit

DWG. NO. 5887

REF. NO.	PART NUMBER	DESCRIPTION	QTY.	REF. NO.	PART NUMBER	DESCRIPTION	QTY.
1	25011984	Stop Plate	1	3	033-12013	SAE Flat Washer 3/4 Inch	1
2	25011885	Bushing	1	4	951-005-037	Lock Nut 3/4-10 2-Way	1

TOOLS, PAINT AND ACCESSORIES

REPLACEMENT PIGTAILS- SURE SEAL GRILL PLUGS

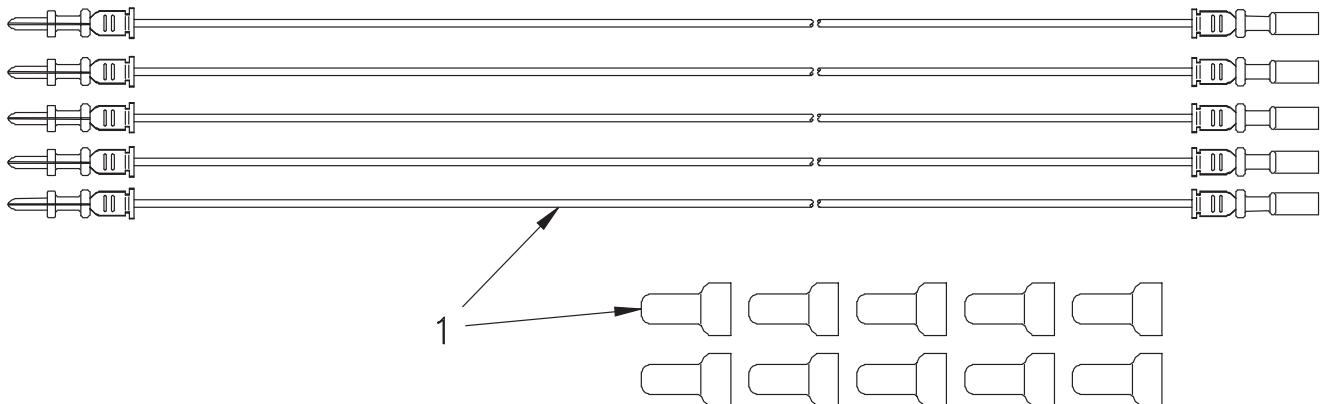


DWG. NO. 5888

REF. NO.	PART NUMBER	DESCRIPTION	QTY.	REF. NO.	PART NUMBER	DESCRIPTION	QTY.
1	38813074	Pigtail, 10 Pin Grill	1	3	38813076	Pigtail, 3 Pin Grill	1
2	38813075	Pigtail, 10 Pin Plow	1	4	38813077	Pigtail, 3 Pin Plow	1

SEC  
16

ELECTRICAL PIN REPAIR KIT- SURE SEAL GRILL PLUGS



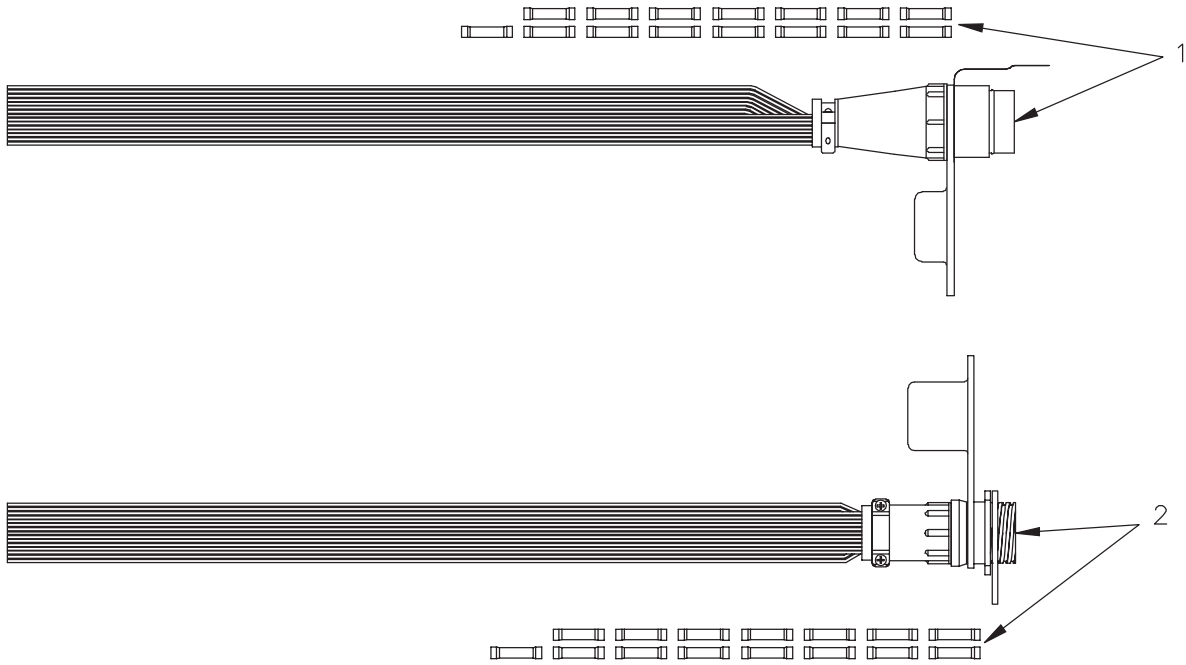
\* For Repair Of 3, 7, And 10 Pin Sure Seal Connectors

DWG. NO. 5746

REF. NO.	PART NUMBER	DESCRIPTION	QTY.	REF. NO.	PART NUMBER	DESCRIPTION	QTY.
1	38813013	Repair Kit, 10 Terminals W/Wires	1				

TOOLS, PAINT AND ACCESSORIES

REPLACEMENT PIGTAILS- CPC GRILL PLUGS

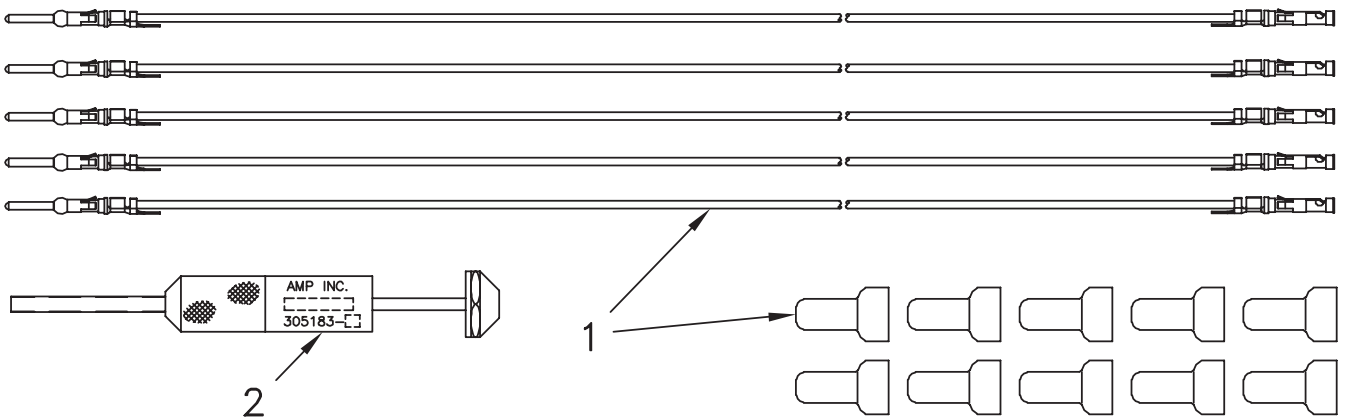


DWG. NO. 6798

REF. NO.	PART NUMBER	DESCRIPTION	QTY.	REF. NO.	PART NUMBER	DESCRIPTION	QTY.
1	38813107	Pigtail, AMP CPC Plow	1	2	38813106	Pigtail, AMP CPC Grill	1

ELECTRICAL REPAIR KIT- CPC GRILL PLUGS

SEC 16

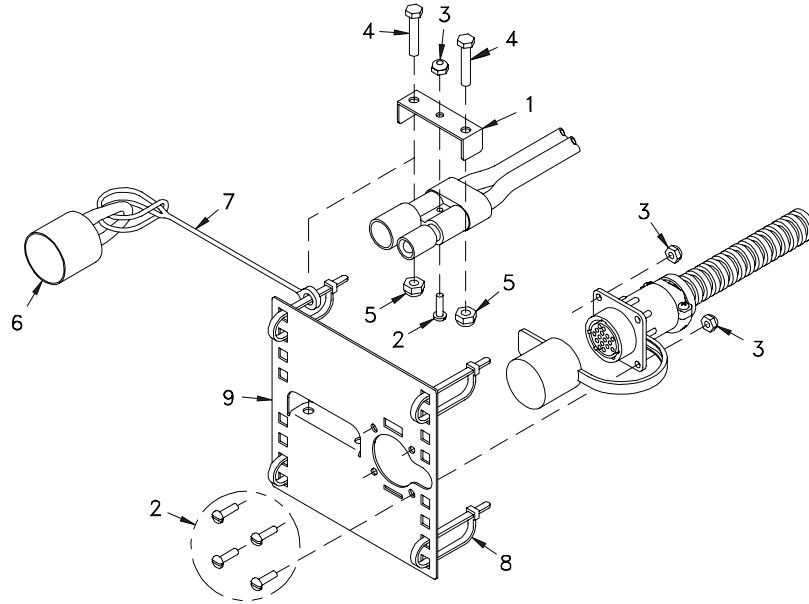


DWG. NO. 6797A

REF. NO.	PART NUMBER	DESCRIPTION	QTY.	REF. NO.	PART NUMBER	DESCRIPTION	QTY.
1	38813108	Repair Kit, AMP CPC	5	2	38640000	Extraction Tool	1

TOOLS, PAINT AND ACCESSORIES

GRILL MOUNT PLATE - SURE SEAL AND CPC

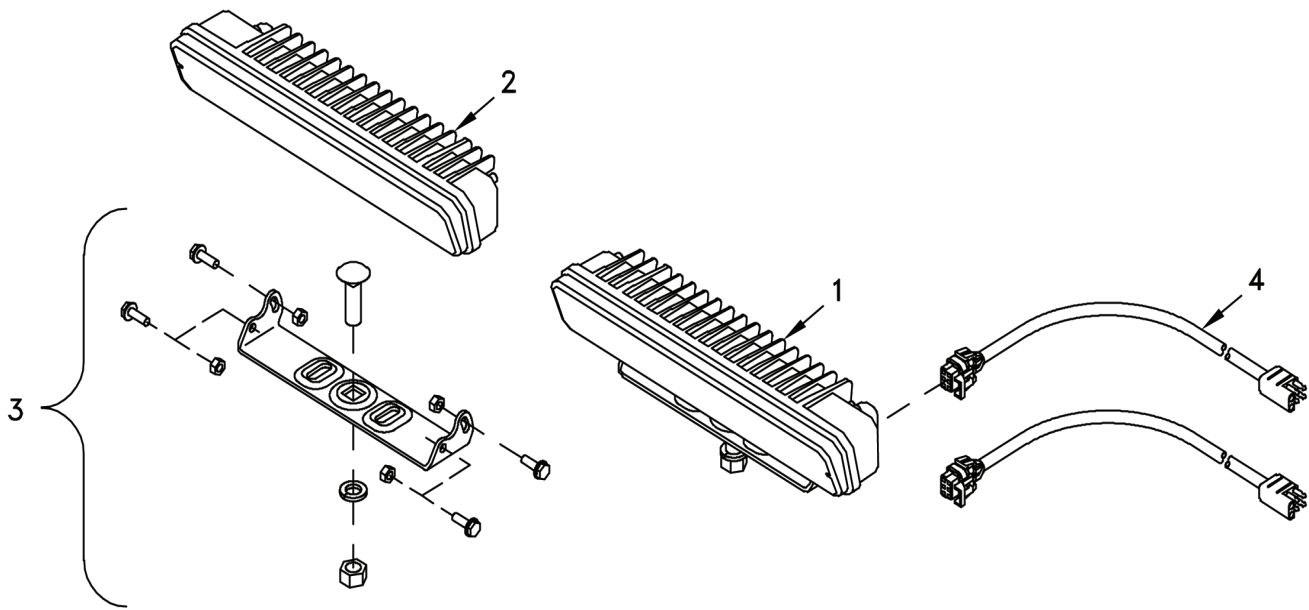


DWG 7403

REF. NO.	PART NUMBER	DESCRIPTION	QTY.	REF. NO.	PART NUMBER	DESCRIPTION	QTY.
	25013750	Complete Mount Plate Kit (Items 1-9)		5	392-010-010	Lock Nut #10-24 Nylon Insert	2
1	25011037	Clamp	1	6	36716002	Dust Cap	A/R
2	950-004-033	Machine Screw #6-32 x 1/2" Slotted Pan Head	5	7	36716025	Nylon Lanyard 8"	1
3	951-003-014	Lock Nut #6-32 Nylon Insert	5	8	367-001-011	Cable Tie 14"	4
4	950-004-058	Machine Screw #10-24 x 1" Hex Head	2	9	25013751	Plug Mount Plate	1

SEC 16

PLOW WIRING HARNESS - LED HEADLAMPS



25014159 LED Headlight Pair (Items 1, 2, 3)

DWG. NO. 7810

REF. NO.	PART NUMBER	DESCRIPTION	QTY.	REF. NO.	PART NUMBER	DESCRIPTION	QTY.
1	25014164	LH Headlight	1	3	25014166	Headlamp Mounting Hardware for 1 Light	2
2	25014165	RH Headlight	1	4	38813159	Adapter Harness - LED Upfit	A/R